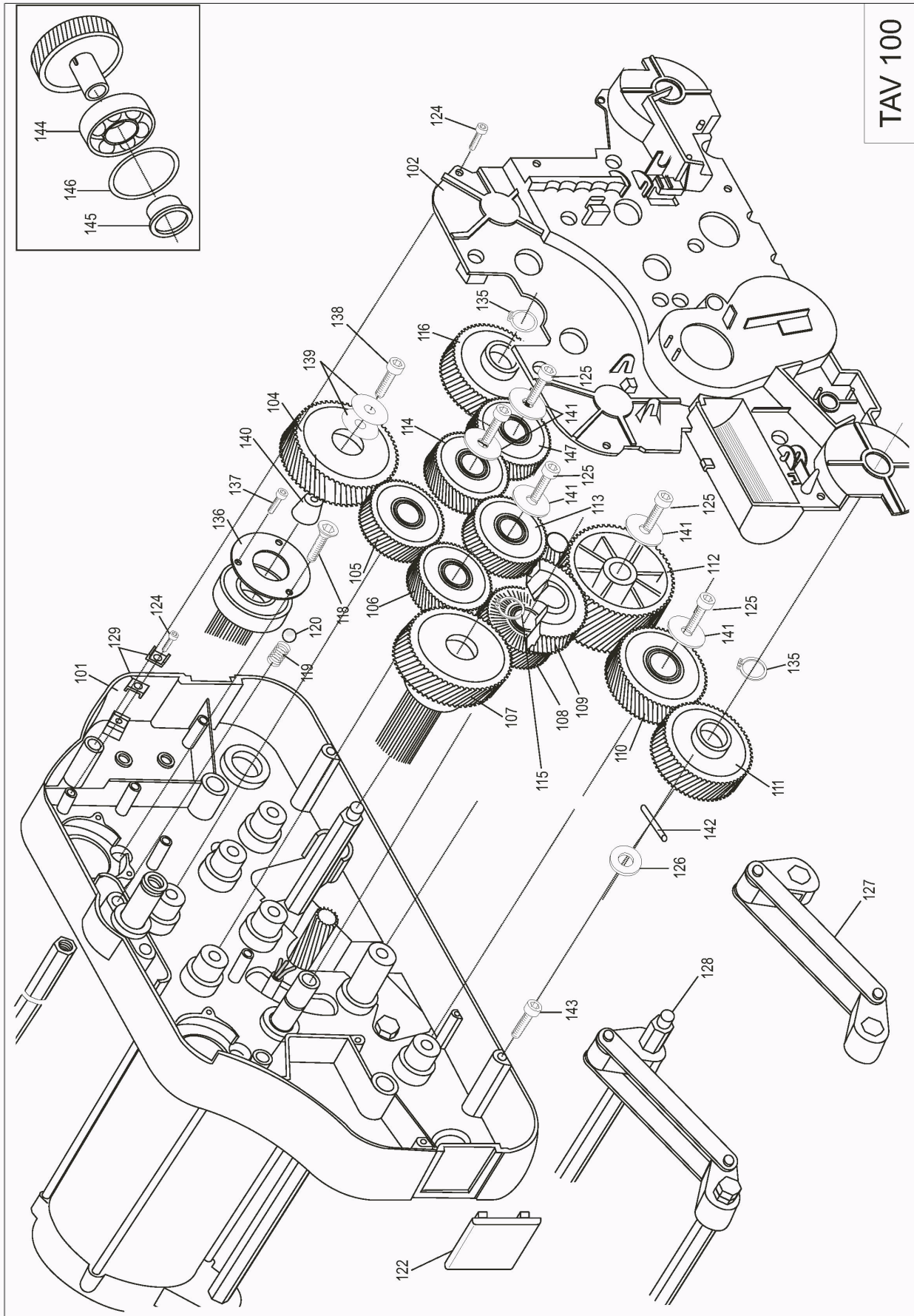


Table 100 012018

Model 550 COMBI



TAV 100

Table 100 012018

Model 550 COMBI

Pos.	Article Code	Description
101	181010240	MAIN SIDE ELEMENT W/B BUSH AUSTRALIA
101	181035000	MAIN SIDE ELEMENT (ESCAL) PROF/COMBI
102	130501000	INSIDE SUMP BLACK
104	060902000	GEAR RIGHT HS METAL MOTOR CYL WITH SCREW, NUT AND WASHER
105	054402000	GEAR W/B.BEARING
106	064402000	GEAR W/B BEARING
107	050902000	GEAR LEFT H.S.METAL MOTOR CYL. WITH SCREW, NUT AND WASHERS
108	054602000	GEAR WITH LOW CLUTCH NEW
109	068002000	GEAR HIGH CLUTCH W/BEARING
110	065002000	GEAR W/B BEARING
111	054202000	GEAR LEFT H.BRUSH(NEW SERIES)
112	058002000	GEAR 340-420-620 W/NO 2 B.BEAR
113	057002000	GEAR W/B.BEARING
114	064002000	GEAR W/B.BEARING
115	113200000	SEEGER D.14
116	064202000	GEAR RIGHT HS.BRUSH-NEW SERIES
118	111201000	SOCKEL HEAD SCREW TPSCE 8X16 (BITT)
119	100200000	SPRING LATCH SPRING
120	031200000	SPRING LATCH BALL
122	131100000	BUMPER FOR MAIN FRAME
124	110400000	SCREW T.T. 5X10
125	110600000	SCREW T.T. 5X12
126	112700000	FLAT WASHER
127	180801000	WHEEL LEVER
128	180801000	WHEEL LEVER
128	012102000	SHAFT W/ WHEEL LEVER 620 - 550
129	113901000	TERMINAL CONTACT
135	113400000	SEEGER D.20
136	020600000	WASHER PUSHING BEARING
137	110100000	SCREW TC 3X8
138	111000000	SOCKEL HEAD SCREW TCCE 4X40

Table 100 012018**Model 550 COMBI**

Pos.	Article Code	Description
139	114400000	WASHER FOR GEAR
140	114500000	TAPERED SCREW NUT/BRASS
141	115100000	WASHER LOCKING GEARS
142	113700000	CYLINDRICAL PLUG 6X30
143	110901000	SOCKET HEAD SCREW TCCE 6X16
144	031950000	BEARING 60052RS MAIN S/ELEMEN.
145	020110000	BRASS BUSH AU
145	020110100	SET OF BUSH AND WASHER AU
145	043500000	PLASTIC BUSH FOR S.STEEL BEAR.
146	043600000	RUBBER WASHER S.STEEL BEARING
147	057003000	GEAR W/B BEARING

Table 200 012018

Model 550 COMBI

TAV 200

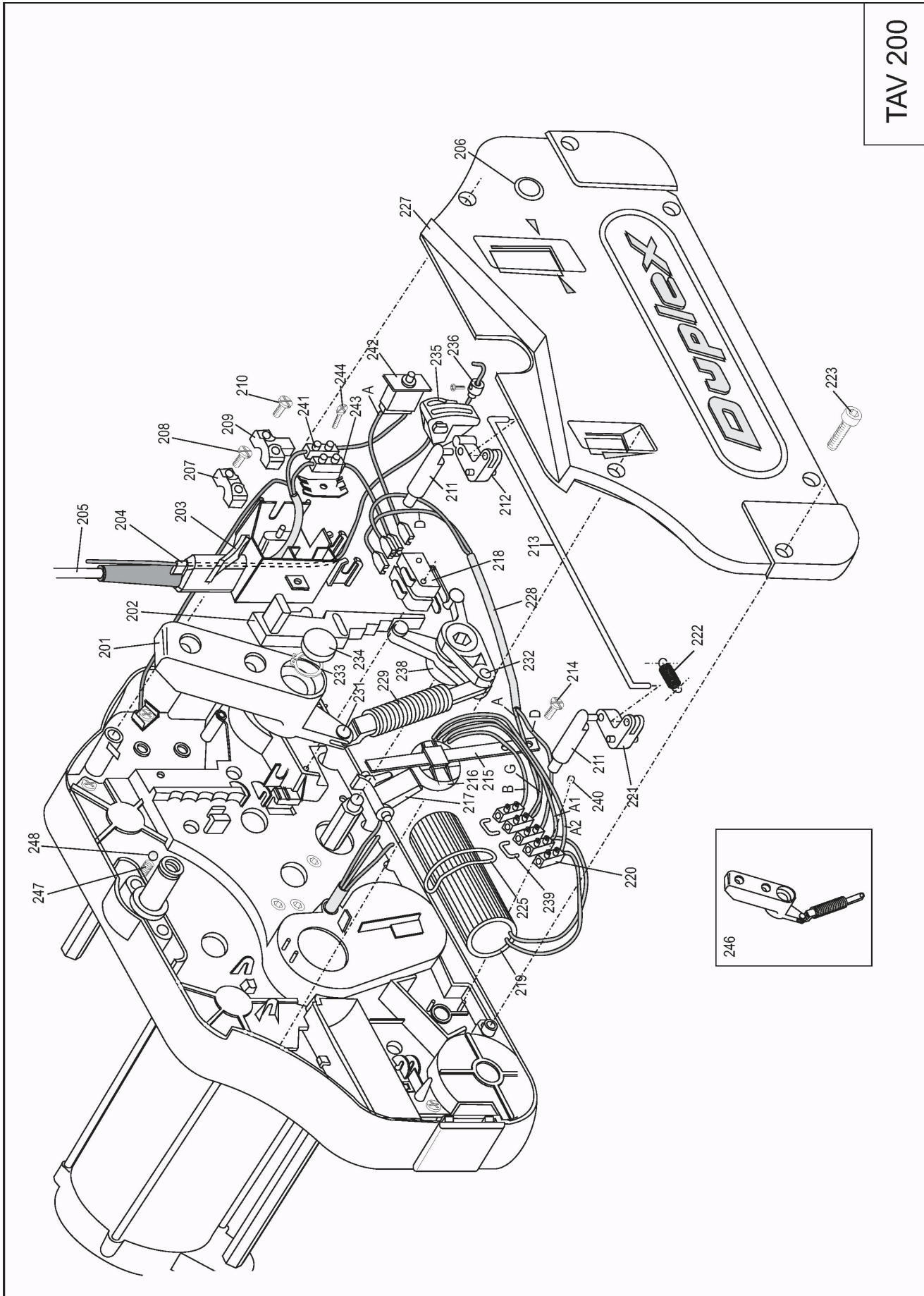


Table 200 012018

Model 550 COMBI

Pos.	Article Code	Description
201	180310000	HANDLE SUPPORT BL.
202	140800000	ADJUSTMENT SLIDER
203	141900000	FAIRLEAD SUPPORT
204	040900000	FAIRLEAD
205	080504000	CABLE AND PLUG UK
205	080506000	CABLE AND PLUG (U.S.A.)
205	080507000	CABLE AND PLUG SHUKO EU
206	080900000	RUBBER SEAL
207	142000000	FAIRLEAD STAY
208	110200000	TC SCREW 4,2X13 ZINC
209	142100000	CABLE STAY
210	110200000	TC SCREW 4,2X13 ZINC
210	110300000	TC SCREW 4,2X16 ZINC
211	140266777	PLASTIC PISTON
212	140000000	LONG LEVER
213	210601000	BOLT FOR FLUID CONTROL LEVERS
214	117100000	SCREW M4x10 CROSS ZN
215	200401000	CLUTCH LEAF SPRING
216	140400000	CLUTCH FORC
217	140500000	CLUTCH LEVER
218	081300000	MICROSWITCH
219	080120000	CAPACITOR 340-420-350 20MF 230V - 60HZ
219	080200000	CAPACITOR 620 - 550 25MF 220V - 50HZ
219	080300000	CAPACITOR 340-420-620-350-550 60 MF 117V-60HZ / 100V-50HZ
219	080400000	CAPACIT.45MF 620-550 230V-60HZ 340-420-350 100V-60HZ
220	081930000	TERMINAL BLOCK 5 P
221	140100000	SHORT LEVER
222	100400000	TRACTION SPRING
223	110901000	SOCKEL HEAD SCREW TCCE 6X16
225	040800000	OR. CONDENSER
227	130200000	OUTSIDE SUMP BLACK

Table 200 012018

Model 550 COMBI

Pos.	Article Code	Description
227	130260000	OUTSIDE SUMP BLACK W/OUT LOGO
228	080801000	CONNECTION WIRES
229	100300000	SPRING FOR THRUST CYLINDER MOUNTED
231	011600000	SHAFT FOR SLEEVE SUPPORT
232	113800000	CYLINDER PLUG 8X20
233	113300000	SEEGER D.18
234	140610000	SLEEVE SUPPORT CAP BLACK
235	142200000	ARTICULATED JOINT LEVER
236	221701000	CABLE FIXING PIN FOR SHEALT
238	140300000	WHEEL RAISING ACTIVATOR
239	081902000	TERMINAL BLOCK BRIDGE
240	081901000	TERMINAL BLOCK CAP
241	082000000	DOUBLE-POLE TERMINAL BLOCK
242	081001000	MOTOR PROTECTOR 16A -117V/60HZ
242	081201000	MOTOR PROTECTOR 12A 620 - 550 220V - 50/60 HZ
243	081500000	CABLE CLAMP
244	111100000	SCREW FOR THERMINAL BLOCK
246	180320000	HANDLE SUPPORT ASSEMBLED
247	100200000	SPRING LATCH SPRING
248	031200000	SPRING LATCH BALL

Table 300 012018

Model 550 COMBI

TAV 300

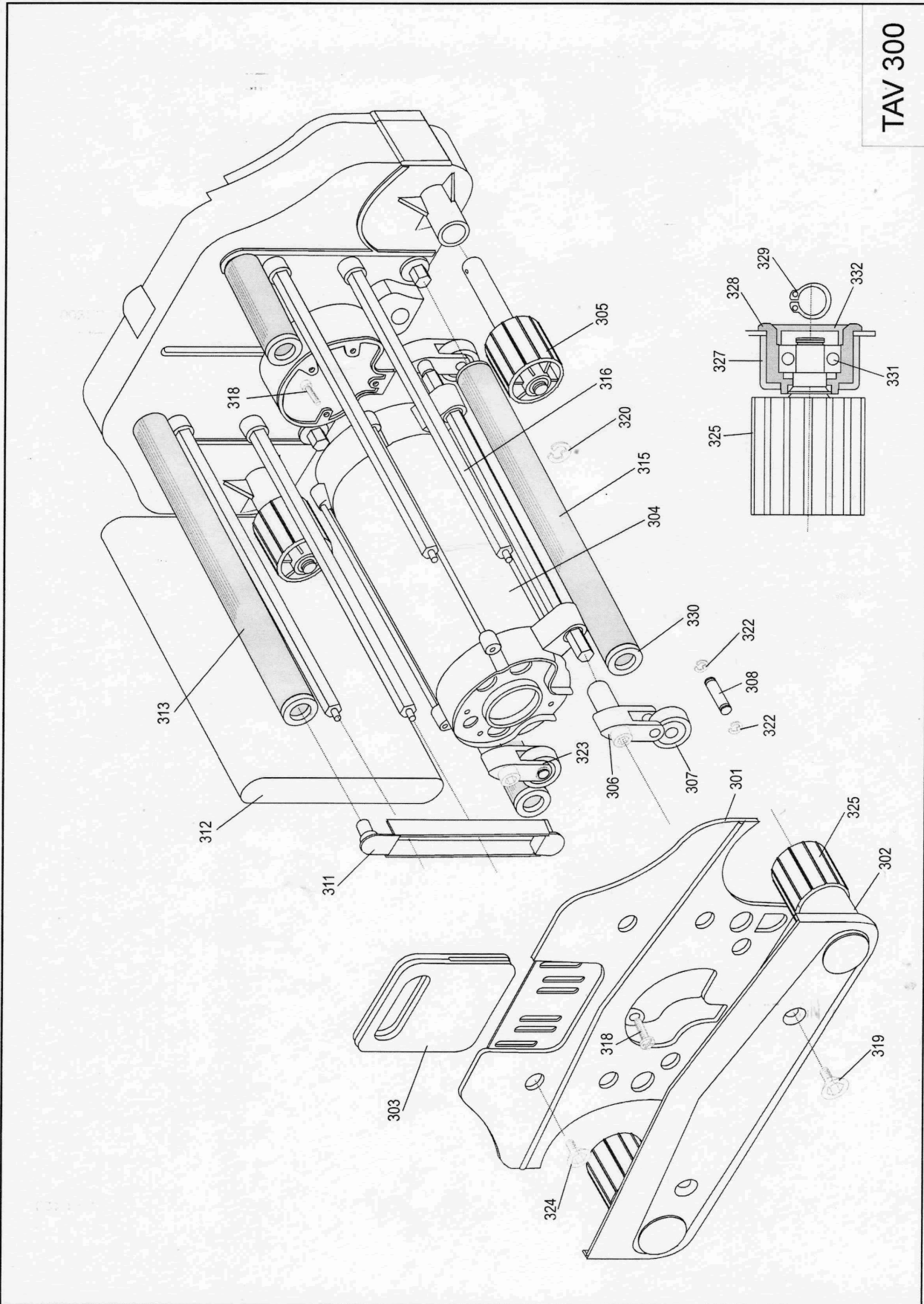


Table 300 012018

Model 550 COMBI

Pos.	Article Code	Description
301	180210000	REAR BODY FRAME BLACK
302	200202000	STAINLESS CASING ASSEMBLED
303	170810000	HANDLE FOR LIFTING THE MACHINE
304	090903000	MOTOR 620-550 230 V. 50HZ
304	091003000	MOTOR 620-550 240 V. 50HZ
304	091103000	MOTOR 620-550 117 V. 60HZ
304	091203000	MOTOR 620 - 550 220V. 60HZ
304	091303000	MOTOR 620-550 100 V. 50HZ
304	091403000	MOTOR 620-550 100 V. 60HZ
305	150701000	BRUSHES SUPPORT MAIN SIDE ELEM
306	160501000	INOX WHEEL SUPPORT
307	160600000	NYLON WHEEL
308	012800000	STAINL.STEEL WHEEL SHAFT
311	180902000	CYLINDER SUPPORT (BRASS S5)
312	042100000	CONVEYOR BELT 620-550
313	014311000	MOTOR CYLINDER 620-550 AU
313	014301000	MOTOR CYLINDER 620-550
315	014101000	IDLE CYLINDER 620-550
316	012301000	SHAFT B.FRAME CONNECT 620-550
318	110901000	SOCKEL HEAD SCREW TCCE 6X16
319	111501000	SOCKEL HEAD SCREW 10X20 STAIN LESS CASING
320	113500000	BENZING RING D.12
322	110700000	BENZING RING D.8 (WHEELS)
323	160601000	ASSEMBLED NYLON WHEEL WITH SUPPORT
324	111201000	SOCKEL HEAD SCREW TPSCE 8X16 (BITT)
325	150802000	BRUSHES SUPPORT INOX SIDE
327	181101000	BRUSH SUPPORT COVER
328	181201000	BRUSH SUPPORT BASE
329	112900000	SEEGER D.12
330	013901000	ASSEMBLED BUSH FOR CYLINDERS
331	031455000	BEARING630012RS(BRUSH SUPPORT)

Table 300 012018

Model 550 COMBI

Pos.	Article Code	Description
332	151000000	BRUSHES SUPPORT CAP

Table 666 012018

Model 550 COMBI

Pos.	Article Code	Description
666	020100000	PROTECTING BUSH 40mm
666	020500000	BUSH FOR BEARING 0,5
666	031400000	BEARING 6001ZZ (BRUSH SUPPORT)
666	031901000	BEARING MOTOR CYL W/PROTECTION
666	031902000	BEARING M.CYL. W/PLAST.BUSH
666	031903000	BEARING M. CYL. W/BUSH/WASHER
666	032400000	BEARING 6005 25X47X8
666	061000000	SET OF GEARS/ACCESS. 340- 420-350/620-550
666	080900000	RUBBER SEAL
666	141901000	SET OF FAIRLEAD SUPPORT
666	222400000	PACK WITH ALLEN KEYS AND TWO SCREWS
666	231300000	SILICONE SPRAY 200 ML
666	234300000	TRIMETHIL 4 ADDITIVE STEAM
666	240102000	CARDBOARD BOX D.620
666	240310000	CARDBOARD CASE
666	230140000	THURMOGREASE HDC 2 1KG

Table 21001 012018

Model 550 COMBI

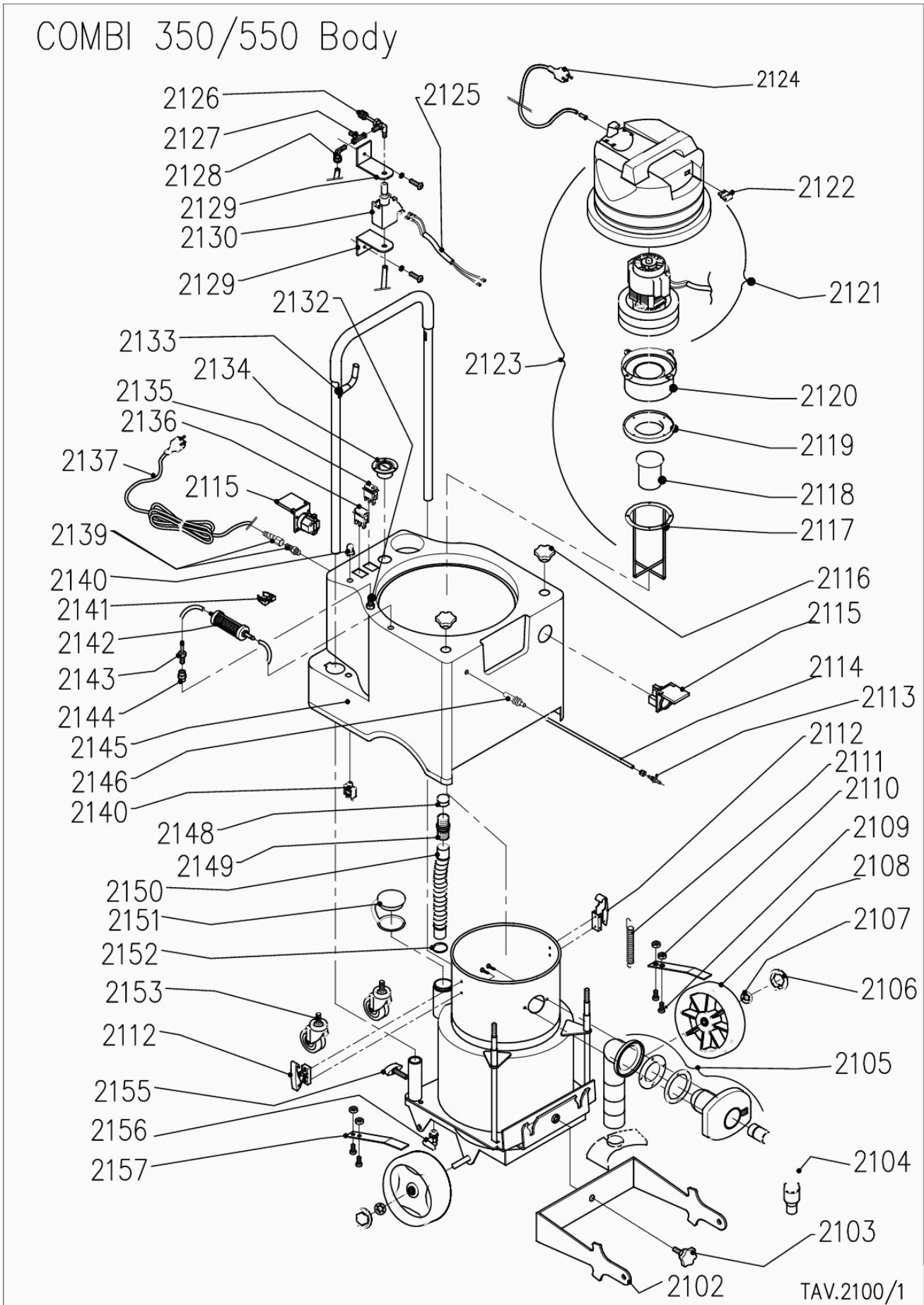


Table 21001 012018

Model 550 COMBI

Pos.	Article Code	Description
2102	450026000	COMPLETE SUPPORT CLEANING HEAD
2103	454699777	LOCKING KNOB
2104	450300000	SUCTION HOSE
2105	454900000	SUCTION CLUTCH GROUP
2108	453020888	WHEEL D 200X50 COMBI
2109	110901000	SOCKEL HEAD SCREW TCCE 6X16
2110	116901000	GALVANIZE NUT
2111	100400000	TRACTION SPRING
2112	455000000	VACUUM HOOK FASTENING
2113	450035000	GRAFTING NOTCHED SUPPORT
2114	454612000	RILSAN HOSE PA 11 INT4x6 CM 84
2115	085700000	POWER SOCKET WITH COVER
2116	454688000	BRAKE KNOB
2117	205910000	FLOATING S//STEEL CAGE
2118	450046000	FLOATING BODY
2119	205930000	FLOATING FLANGE
2120	450043000	BASKET PROTECT. FILTRE 06410
2121	086040000	VAC COVER WITH MOTOR 230V COMBI
2121	086045000	VAC COVER WITH MOTOR 117V COMBI
2122	084411000	MASK4 RED SWITCH
2123	087010888	VAC COVER WITH MOTOR 117V ASSEMBLED COMBI
2123	087010777	VAC COVER WITH MOTOR 230V ASSEMBLED COMBI
2124	087021000	CABLE AND PLUG (VACUUM HEAD)
2125	082800000	WIRINGS COMBI
2126	462246222	TAP CHARGE GA PF 0161
2127	450033777	TEE-PIECE CONNECTION
2128	450033888	90° BEND JUNCTION
2129	043100000	ANTIVIBRATION DEVICE FOR PUMP
2130	084120000	PUMP EP 230V 50HZ ESC.PROF
2132	450034000	EXTENSION 1/8M-F L=36
2133	450032000	HANDLE

Table 21001 012018

Model 550 COMBI

Pos.	Article Code	Description
2134	454611000	PRESSURE GAUGE 40 O-6 1/8
2135	084411000	MASK4 RED SWITCH
2136	084411666	MASK4 GREEN SWITCH
2137	080507000	CABLE AND PLUG SHUKO EU
2139	462246004	FAIRLEAD PG 11
2140	084422000	CIRCUIT BREAKER
2141	043900000	TUBE SUPPORT D32
2142	456040000	FILTER TANK D6 (0,10 MM)
2143	450035000	GRAFTING NOTCHED SUPPORT
2144	450033000	MANICOTTO F 1/8"-F 1/8" PER COMBI
2145	450000000	FAIRING
2146	040910000	FAIRLEAD BLACK 11078.1.2 PVC
2148	450001000	PVC UNLOADING CAP
2149	450002000	PVC UNLOADING NIPPLES
2150	450003000	DOWN TUBE 480MM
2151	456011000	RUBBER CAP
2152	042200000	CLAMP WITH SCREW
2153	452060000	SWIVEL WHEEL CADDY
2154	040340000	TRIMMER .620-550 W/SCREWS
2155	454688777	HANDLE LOCKING KNOB
2156	205601000	TAP F/F 1/8
2157	450031000	BRACKET FOR BRAKE
2158	170440666	RECOVERY TANK COVER ASSEMBLED 550
2163	015800000	BOLT (HANDLE) COMBI/PROF 11MM

Table 21002 012018

Model 550 COMBI

COMBI 350/550 Cleaning Head

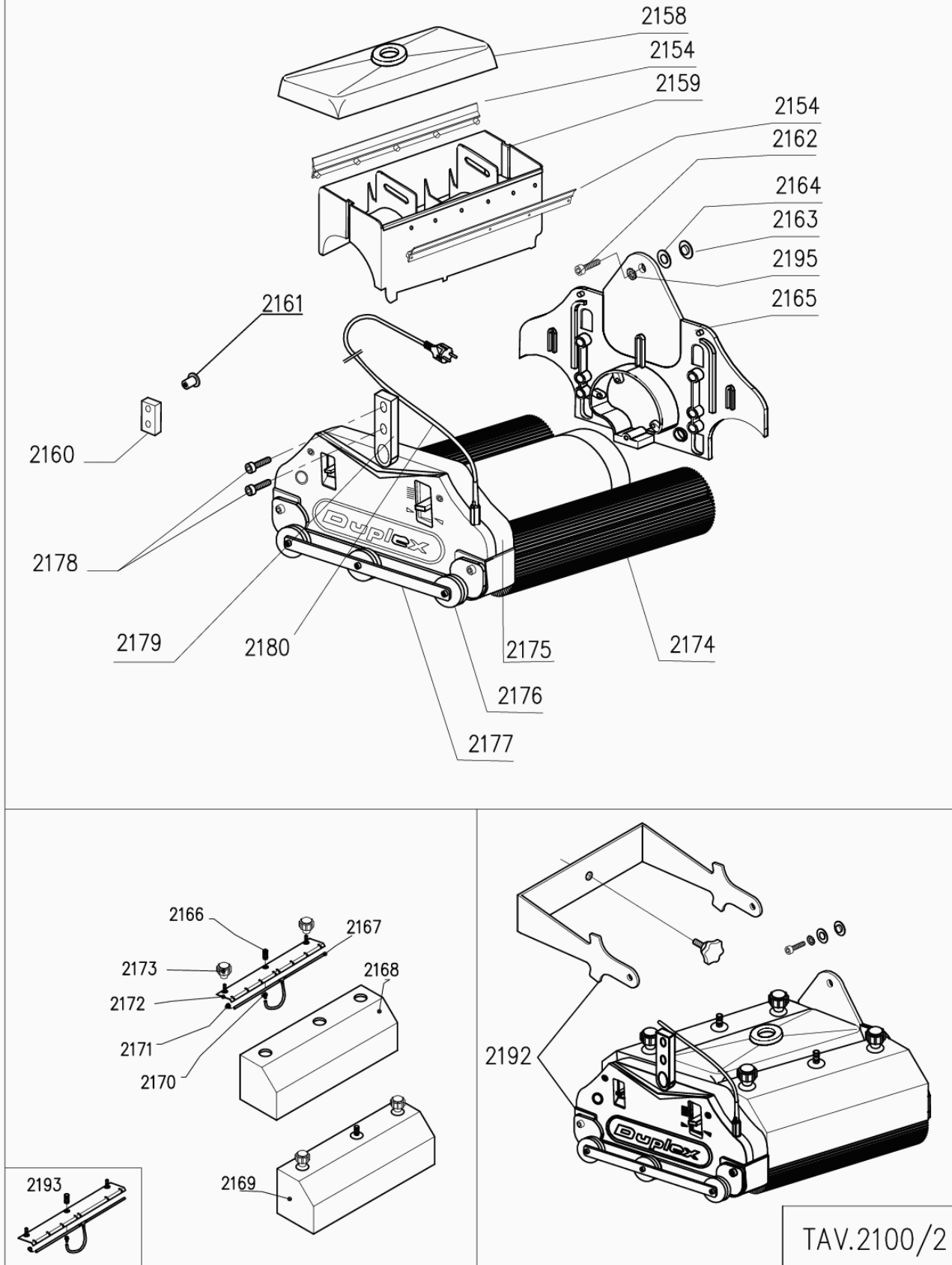


Table 21002 012018

Model 550 COMBI

Pos.	Article Code	Description
2159	122401000	RECOVERY TANK GREY 620-550
2160	016600000	INSERT ESC HANDLE BLOCK
2161	016200000	BUSH FOR HANDLE SUPPORT COMBI
2162	114200000	GALV. ALLEN SCREW TCCE 6x10
2163	015800000	BOLT (HANDLE) COMBI/PROF 11MM
2164	015801000	STAINLESS STEEL WASHER D.32
2165	180235000	REAR BODY FRAME (ESCAL)
2166	153000000	CHROM SOCKET FOR QUICK COUPLING
2167	048065000	DEVICE FOR CLEANING SOLUTION
2168	207200000	S. STEEL CASING ESC.550 PROF/COMBI
2169	207201000	STAINLESS STEEL CASING ESC.550 COMPLETE
2170	155100000	CHROMATE GRAFTING CLUTCH
2171	043700000	NYLON CLAMP 2,4x60
2172	207565000	S/STEEL SOLUT. DISTRIB. PLATE ESCALATOR 550
2173	454600000	ADJUSTMENT KNOB
2174	190261000	BRUSH ESCALAT. 550 THYSSEN (BLACK)
2174	190241000	BRUSH ESCALATOR D550 OTIS-KONE (RED)
2174	190242000	BRUSH ESCALATOR 550 SHINDLER (GREY)
2175	181035000	MAIN SIDE ELEMENT (ESCAL) PROF/COMBI
2176	205600000	WHITE WHEELS ESCALATOR GUIDE
2177	205510000	COMPLETE GUIDE WITH WHITE WHEELS ESC
2178	111301000	SOCKEL HEAD SCREW TPSCE 8X25 (ELBOW)
2179	180330000	ESCAL. HANDLE SUPPORT
2180	700184050	CABLE AND PLUG EU SCHUKO
2193	700183888	STAINLESS STEEL PLATE W/DEVICE 550
2195	117400000	WASHER