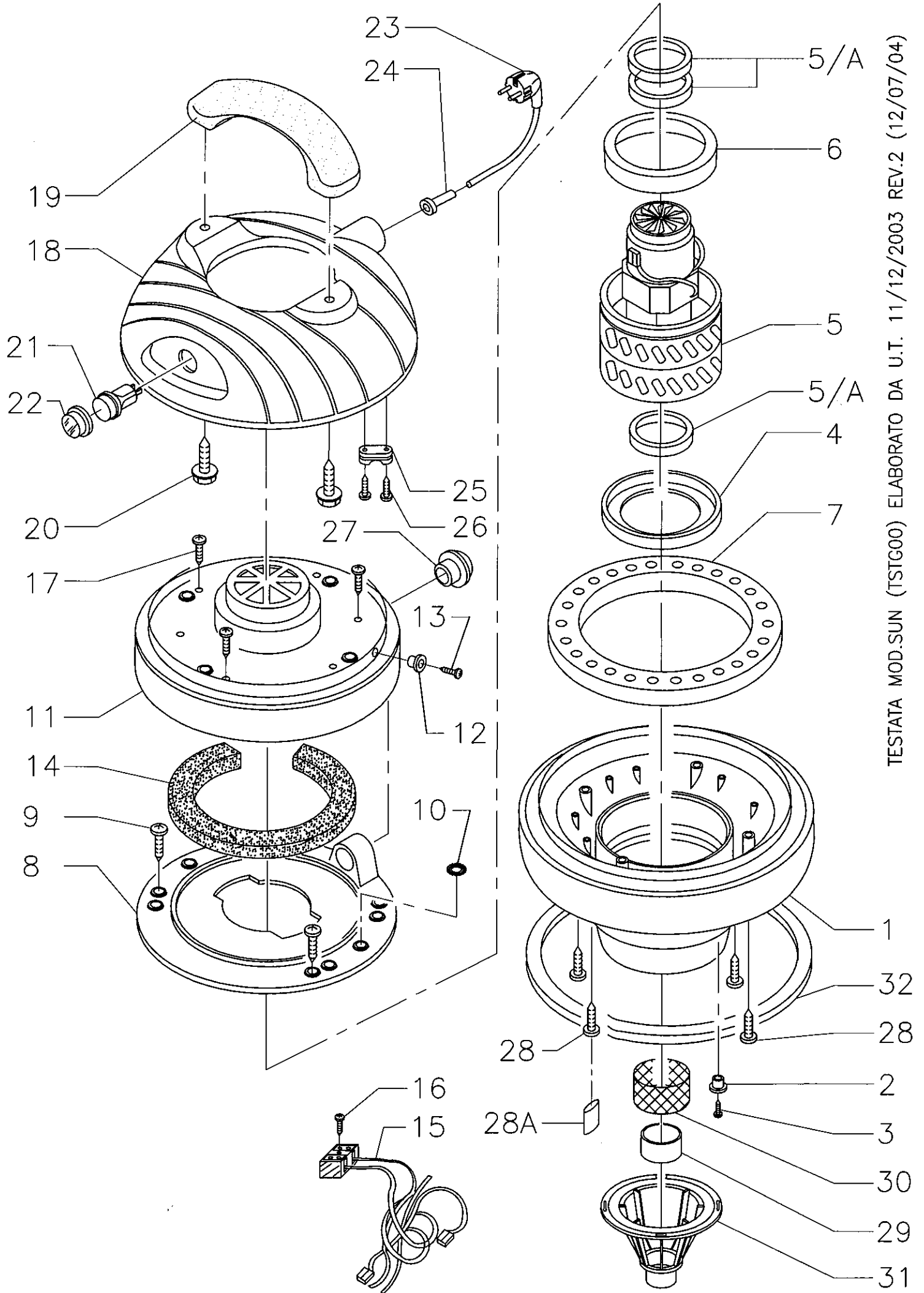


TESTATA MOD.SUN (TSTG00) ELABORATO DA U.T. 11/12/2003 REV.2 (12/07/04)



TESTATA MOD.SUN (TSTG00) ELABORATO DA U.T. 11/12/2003 REV.2 (12/07/04)

Pos.	Codice	Q.tà	Denominazione	Denomination	Description	Beschreibung	Descrizione
TESTATA SUN CON GALL MOTORE BISTADIO (cod. TSTG00)							
01	PG5902	1	CORPO PORTAMOTORE BISTADIO	MAIN BODY MOTOR	CORPS PORTE-MOTEUR	MOTERGEHÄUSE	CUERPO PORTA MOTOR
02	PG5541	4	BUSSOLA DISTANZIALE GALLEGG.	RING SPACER FOR VACUUM FLOAT	DISTANCEUR POUR FLOTTEUR	DISTANZIERUNG FÜR SCHWIMMER	DISTANCIAL PARA FLOTADOR
03	V17060	4	VITE AUTOFIL. TC TC 4.8X25 INOX	SCREW 4.8x25 STAINLESS STEEL	VIS 4.8x25 INOX	SCHRAUBE 4.8x25 INOX	TORNILLO 4.8x25 INOX
04	PGPG05	1	GUARNIZIONE MOTORE SIX 5mm	MOTOR SEAL 5mm	JOINT MOTEUR 5mm	MOTORDICHTUNG 5mm	GUARNIZIONE MOTORE 5mm
05	PE2053	1	MOTORE BISTADIO 1200W 230V	VACUUM MOTOR 2 STAGE 1200W 230V	MOTEUR ASP. BISTADE 1200W 230V	2-FLÜGEL-SAUGMOTOR 1200W 230V	MOTOR ASP. BISTADIO 1200W 230V 230V
05/A	PG5906	3	ANELLO ADESIVO DIST. RAFFR. MOTORE mm8	MOTOR SEAL 8mm	JOINT MOTEUR 8mm	MOTORDICHTUNG 8mm	GUARNIZIONE MOTORE 8mm
06	PGPG10	1	GUARNIZIONE MOTORE SIX 8mm	ACOUSTIC INSULATION	ISOLATION ACOUSTIQUE	AKUSTISCHE ISOLIERUNG	ISOLACION ACUSTICA
07	PG5534	1	ISOLANTE ACUSTICO MOTORE	FLAT SUPPORT MOUNT FOR MOTOR	CORPS DIAPHRAGME POUR	DIAPHRAGMA FÜR DIE	DIAPRAGMA PARA FIJAR
08	PG5033	1	CORPO DIAFRAMMA FISSA MOT.	SCREW 4.8x16	VIS 4.8x16	SCHRAUBE 4.8x16	TORNILLO 4.8x16
09	V17162	2	VITE AUTOFIL. NI TC 4.8X16 ZB	LOCK WASHER ZN Ø8	RONDELLE DENTELLÉE ZNØ8	SCHEIBE ZNØ8	ARANDELA ZNØ8
10	V17306	2	RONDELLA DENTELLATA ZN Ø8	AIR FLOW CONVEYOR	CONVOYEUR FLUX D'AIR	LUFTFLUSS FÖRDERTEIL	PIEZA PARA FLUJO DE AIRE
11	PG5904	1	CORPO CONVOGLIATORE C/FORO	RING SPACER FOR VACUUM FLOAT	DISTANCEUR POUR FLOTTEUR	DISTANZIERUNG FÜR SCHWIMMER	DISTANCIAL PARA FLOTADOR
12	PG5541	2	BUSSOLA DIST. GALLEGGIANTE	SCREW ZN 3.9x19	VIS ZN 3.9x19	SCHRAUBE ZN 3.9x19	TORNILLO ZN 3.9x19
13	V17341	2	VITE AUTOF. ZN NERA TC TC 3.9X19	ACOUSTIC INSULATION CONVEYOR	ISOLATION ACOUSTIQUE CONV.	AKUSTISCHE ISOLIERUNG	ISOLACION ACUSTICA
14	PGPG04	1	ISOLANTE ACUSTICO CONVOGLIAT.	WIRING VACUUM HEAD	CABLAGE ASPIRATEUR	KABEL SAUGER	CABLAJE ASPIRADOR
15	PE2078A	1	CABLAGGIO ASPIRATORE	SCREW 2.9x16	VIS 2.9x16	SCHRAUBE 2.9x16	TORNILLO 2.9x16
16	V17122	1	VITE AUTOFIL. NICH. 2.9X16	SCREW ZN 4.8x32	VIS ZN 4.8x32	SCHRAUBE ZN 4.8x32	TORNILLO ZN 4.8x32
17	V17049	6	VITE AUTOFIL. ZN TC 4.8X32	VACUUM HEAD « SUN »	TÊTE ASPIRATION « SUN »	SAUGERKOPF « SUN »	CABEZAL « SUN »
18	CA1175	1	TESTATA PORTAMANIGLIA SUN	BLACK FLAT HANDLE	POIGNÉE PLATE NOIRE	FLACHER SCHWARZER HANDGRIFF	MANGO PLANO NEGRO
19	010105	1	MANIGLIA NERA GRANDE PIATTA	SCREW ZN 6.3x13 - 14x1/2	VIS ZN 6.3x13 - 14x1/2	SCHRAUBE ZN 6.3x13 - 14x1/2	TORNILLO ZN 6.3x13 - 14x1/2
20	V17167	2	VITE F/R TE ZN 6.3X13 - 14X1/2	ROUND SWITCH 16A 230V	INTERRUPTEUR ROND 16A 230V	RUNDER SCHALTER 16A 230V	INTERRUPTOR REDONDO 16A
21	PE2206	1	INTERRUTTORE 16A 230V TONDO	ROUND SWITCH COVER	COUVRE-INTERRUPTEUR	SCHALTERKAPPE	TAPA INTERRUPTOR
22	PG5028	1	CAPPUCCIO ROTONDO	POWER CORD 3x1 0.66m SCHUKO 90°	CABLE 3x1 0.66m SCHUKO 90°	KABEL 3x1 0.66m SCHUKO 90°	CABLE 3x1 0.66m SCHUKO 90°
23	PE2176	1	CAVO 3X1 66cm S/SCHUKO 90°	MOUHPIECE Ø7x12x38	PASSAGE Ø7x12x38	KABELDURCHGANG Ø7x12x38	PASO Ø7x12x38
24	PG5817	1	PASSACAVO Ø7X12XL 38	CABLE PRESS	PRESSE-CABLE	KABELPRESSE	PRENSACABLE
25	PG5905	1	PRESSACAVO TESTATA BRIN/SUN	SCREW 3.5x13	VIS 3.5x13	SCHRAUBE 3.5x13	TORNILLO 3.5x13
26	V17114	2	VITE AUTOF. TC TC 3.5X13 ZB	CAP FOR AIR OUTLET	BOUCHON SORTIE D'AIR	DECKEL LUFTAUSTRITT	TAPÓN PARA SALIDA DE AIRE
27	RA3329	1	TAPPO CORPO CONVOGLIATORE	SCREW 4.8x32 STAINLESS STEEL	VIS 4.8x32 INOX	SCHRAUBE 4.8x32 INOX	TORNILLO 4.8x32 INOX
28	PG5572	4	VITE 7981 INOX TC 4.8X32	STOPPER FOR SCREW HOLES	COUVRE-VIS ASPIRATEUR	SCHRAUBEN ABDECKUNG SAUGER	TAPA-TORNILLOS ASPIRADOR
28A	PG58002	4	COPRIVITE ASPIRATORI	VACUUM FLOATER 99	FLOTTEUR 99	SCHWIMMER 99	FLOTADOR 99
29	PG5582	1	GALLEGGIANTE 99 BASSO	FILTER H45	FILTRE H45	FILTER H45	FILTRO H45
30	PG5581	1	FILTRO H45	BASKET FOR FLOATER	CORBEILLE POUR FLOTTEUR	KORB FÜR SCHWIMMER	PARA EL FLOTADOR
31	PG5580	1	CESTELLO PER GALLEGGIANTE	GASKET VACUUM HEAD	JOINT TÊTE ASPIRATION	DICHTUNG SAUGERKOPF	GUARNIZIONE CABEZAL
32	PG5809	1	GUARNIZIONE TESTATA FUSTO				