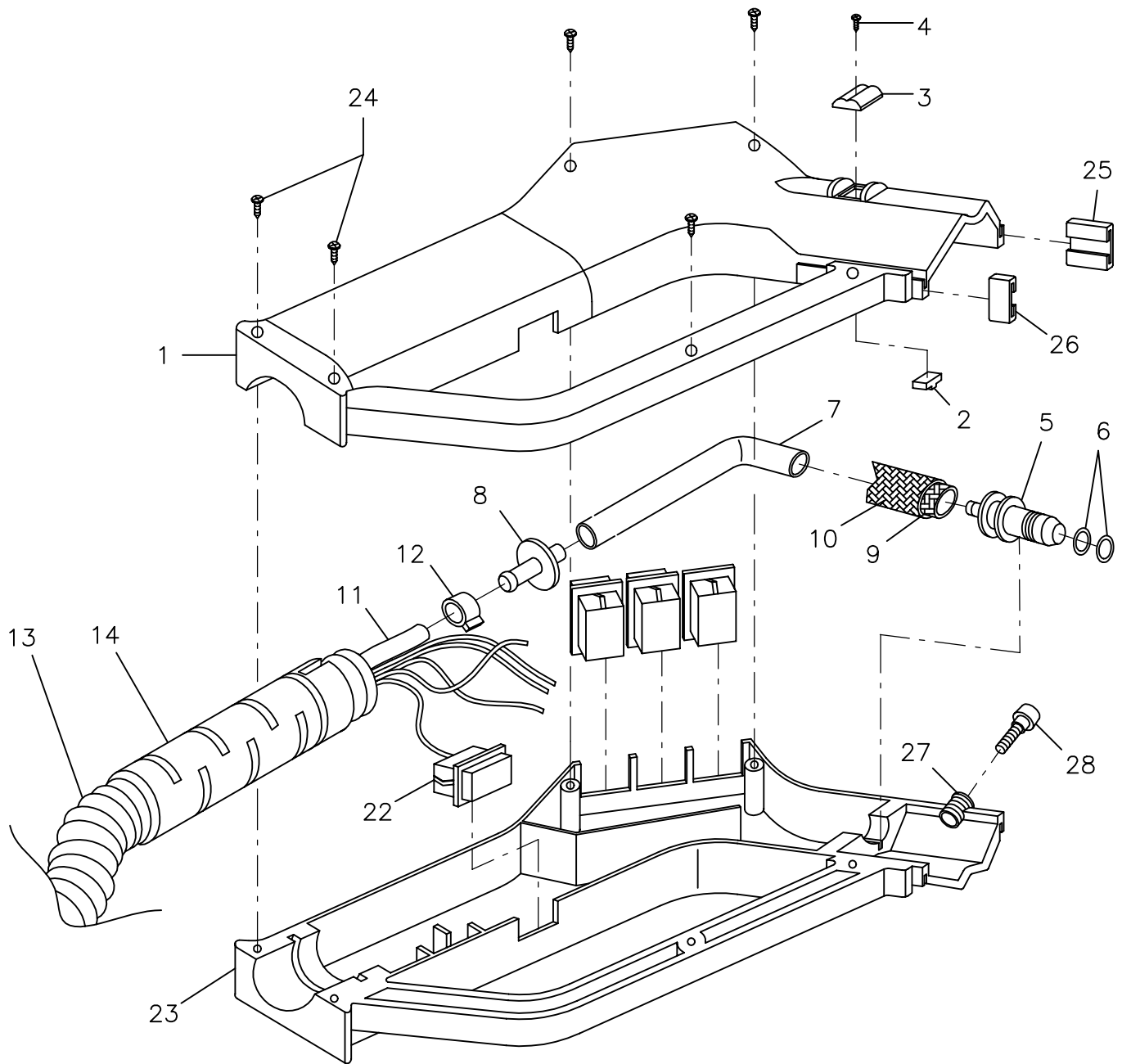
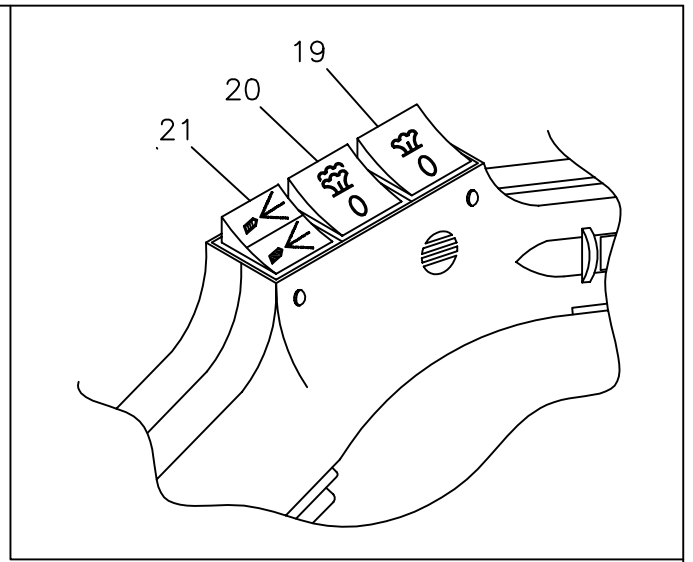


# TECNOVAP



IMPUGNATURA JULY STANDARD 3/5 AT 12P I3 H2O  
COD. 7052I3TW REV.0 19/02/08

**IMPUGN. JULY STANDARD 3/5 AT 12P I3 H2O COD.7052I3TW REV.0 19/02/08**

<b>Pos.</b>	<b>CODICE</b>	<b>Q.tà</b>	<b>DENOMINAZIONE</b>	<b>DENOMINATION</b>
1	12024GR	1	CORPO PISTOLA DX GEYSER 2002 GRIGIO	RIGHT BODY HANDGRIP
2	12009GR	1	BLOCCHETTO SOTTOLEVA GRIGIO (JULY)	INNER LOCKING LATCH – GREY
3	12016GR	1	LEVETTA BLOCCA PROLUNGA GRIGIA (JULY)	BLOCKING LEVER GREY– JULY
4	VI7114	1	VITE AUTOFILETTANTE 2.9x9.5 UNI 6956	SCREW BR. 2,9X9,5
5	12006T	1	UGELLO ROTONDO MASCHIO M9 M	ROUND NOZZLE
6	PG5142	2	OR 9.25x1.78 VITON NERO	O-RING 9,25X1,78
7	RA30237	1	TUBO M9FxM9F L.155 PIEGATO 45°	STEEL TUBE FOR STEAM
8	RA37005	1	PORTAGOMMA OTTONE M9 PG8x16	HOSE END FITTING
9	PG53807	mt 0.175	CALZA VETRO SILICONE 12X10 ROSSO	RED HOSE
10	PG53817	mt 0.175	CALZA VETRO SILICONE 14X12 ROSSO	RED HOSE
11	PG5350	mt 5.150	TUBO ø8x16 170° 8 ATM	SLEEVED STEAM HOSE Ø 4X8
12	PG5200	1	FASCETTA CLIC 14-16/6	SINGLE EAR CLAMP
13	PGPG02	mt 5	TUBO CORRUGATO PP-MPD. NW 22	EXTERNAL FLEX HOSE
14	120216	1	MANICOTTO ANTIPIEGA GIALLO JULY	YELLOW FLEXIBLE SLEEVE – JULY
15	PEPE012	mt 5.3	CAVO TEFLON sez.0,50 (19x0,18) Cu-Sn BLU	WIRING - BLUE
16	PEPE032	mt 5.3	CAVO TEFLON sez0,50(19X0,18)Cu-Sn MARRON	WIRING - BROWN
17	PEPE042	mt 5.3	CAVO TEFLON sez0,50(19X0,18)Cu-Sn BIANCO	WIRING - WHITE
18	PEPE052	mt 5.3	CAVO TEFLON sez.0,50(19x0,18) Cu-Sn NERO	WIRING - BLACK
18A	PEPE062	mt 5.3	CAVO TEFLON sez.0,50(19x0,18)Cu-SnGRIGIO	WIRING - GREY
19	PE223C	1	INTERRUTTORE 10A NERO VAPORE MINIMO	SWITCH 10A MINIMUM STEAM
20	PE223I	1	INTERRUTTORE 10A NERO VAPORE MEDIO	SWITCH 10A MEDIUM STEAM
21	PE227S7	1	COMMUTATORE PULSANTE 10A SERIGRAFATO	SWITCH 10A
22	PE2260	1	INTERRUTTORE A PULSANTE 10A	SAFETY SWITCH 10A
23	12025GR	1	CORPO PISTOLA SX GEYSER 2002 GRIGIO	LEFT BODY HANDGRIP
24	VI7105	6	VITE RAPID FIX ZN TC 3.9x16 NERA	RAPID-FIX SCREW ZN TC 3,9X16
25	12027GR	1	GANCIO PISTOLA L.30 JULY 2002 GRIGIO	HOOK FOR HANDLE L. 30
26	12026GR	1	GANCIO PISTOLA L.10 JULY 2002 GRIGIO	HOOK FOR HANDLE L. 10
27	VI70007	1	INSERTO FILETTATO M8 FORO M4 OTTONE	THREADED INSERT M8
28	VI70017	1	POMELLO BLOCCAGGIO NERO M4	HANDLE M4
29	PG5200	1	FASCETTA CLIC 14-16/6	SINGLE EAR CLAMP
30	PE2013	5	CONTATTO MASCHIO 10A ILME	CONTACT PIN – MALE
31	PP00184	1	RACCORDO PER TUBO CORRUGATO	FITTING FOR STEAM HOSE
32	PE30005	1	CUSTODIA PER BASE CON 1 LEVA	CONECTOR CASING
33	7200104	1	UGELLO FEMMINA 1/8F ø20	FEMALE NOZZLE
34	PP00185	1	BLOCCHETTO ISOLANTE ALTA TEMPERATURA	HIGH TEMPERATURE BLOC
35	7200114	1	PORTAGOMMA 8x16 1/8M	HOSE-END FITTING
36	PE30015	1	TELAIO 3 MODULI	INNER COVER
37	PE30025	1	FRUTTO UN MODULO 12P	CONECTOR