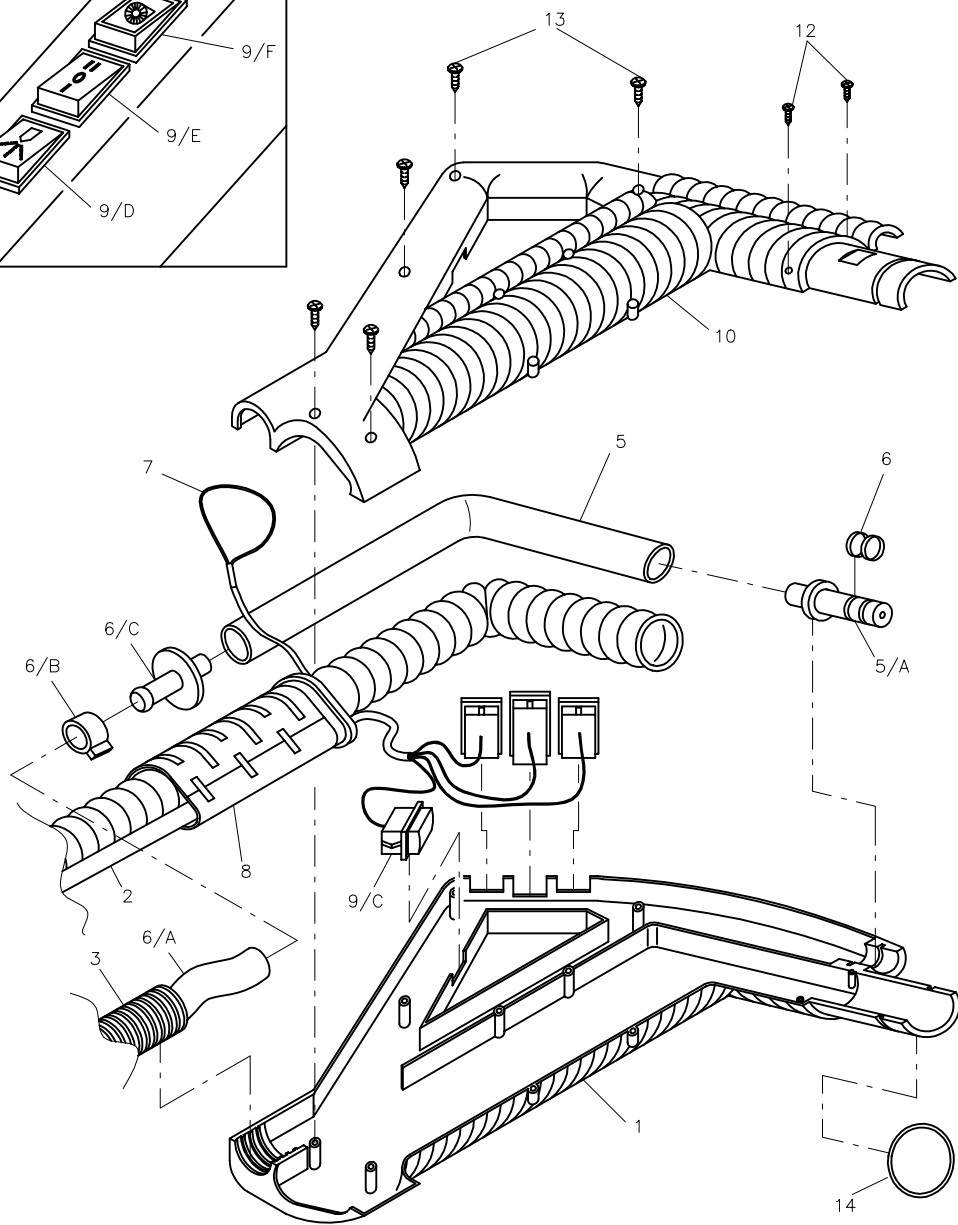
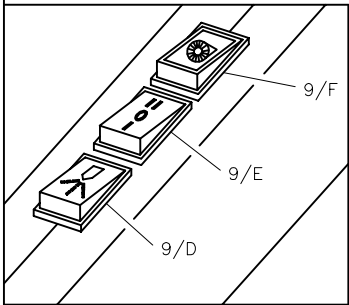
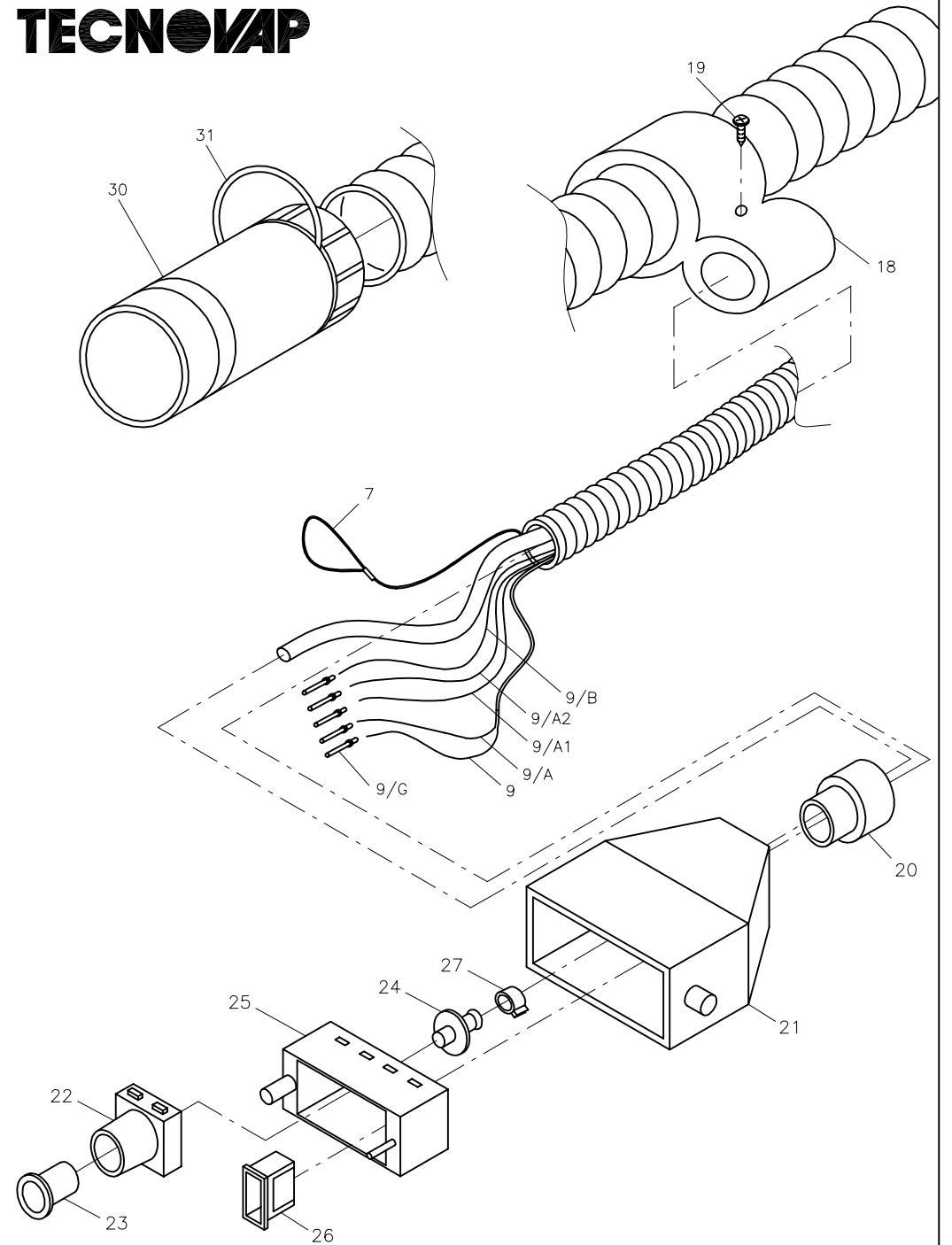


# TECNOVAP



# TECNOVAP



**IMPUGNATURA RADAMES ALTA TEMPERATURA mt.12 12P I4 ( cod. 702012T )**

Pos.	CODICE	Q.tà	DENOMINAZIONE	DENOMINATION	DESCRIPTION	BESCHREIBUNG	DESCRIPCIÓN
1	510205	1	CORPO PISTOLA RADAMES SX	LEFT BODY HANDGRIP	CORPS POIGNÉE GAUCHE	HANDGRIFF LINKER TEIL	CUERPO MANGO IZQUIERDO
2	PG52125	mt. 12	GUAINA FLEX ø132 øe37 NERA	FLEXIBLE VACUUM HOSE	TUYAU FLEXIBLE ASPIRATION	SAUGSCHLAUCH	TUBO FLEXIBLE ASPIRACIÓN
3	PGPG02	mt. 11.25	TUBO CORRUGATO PP-MOD.NW 22	EXTERNAL STEAM HOSE	TUYAU EXTERNE VAPEUR	EXTERNER DAMPFSCHLAUCH	TUBO ESTERNO VAPOR
5	RA30234V1	1	TUBO M9F x M9F L.200 PIEGATO 45°	STEEL TUBE FOR STEAM	TUYAU ACIER VAPEUR	STAHLROHR FÜR DAMPF	TUBO ACERO PARA VAPOR
5/A	1200055	1	UGELLO PER PISTOLA PPS ALTA TEMP.	HIGH T° NOZZLE	BUSE HAUTE T°	HOHE T° DÜSE	BOQUILLA ALTA T°
6	PG51264	2	OR 6.75x1.78 VITON NERO	O-RING 6.75x1.78 VITON	JOINT 6.75x1.78 VITON	DICHTUNG 6.75x1.78 VITON	GUARNICIÓN 6.75x1.78 VITON
6/A	PG5350	mt. 11.3	TUBO ø8x16 170° 8 ATM	INTERNAL STEAM HOSE	TUYAU INTERNE VAPEUR	INTERNER DAMPFSCHLAUCH	TUBO INTERNO VAPOR
6/B	PG5200	1	FASCETTA CLIC 14-16/6	CLAMP 14-16/6	COLLIER 14-16/6	SHELLE 14-16/6	ABRAZADERA 14-16/6
6/C	RA37005	1	PORTAGOMMA OTTONE M9 PG8x16	HOSE END FITTING	EMBOUT PORTE TUJAU	SCHLAUCHANSCHLUSSSTÜCK	BOQUILLA PORTA GOMA
7	RA3023	mt. 12.25	FUNE ACCIAIO ø1.5 ZINCATO	STEEL ROPE	CORDE ACIER	STAHLSEIL	CUERDA ACERO
8	510202	1	MANICOTTO ANTIPIEGA GIALLO	YELLOW FLEXIBLE SLEEVE	PROTECTION FLEXIBLE JAUNE	GELBER SCHLAUCHSCHUTZ	PROTECCIÓN AM. MANGUERA
9	PEPE042	mt. 11.6	CAVO SILICONE VETRO sez. 0.35 BIANCO	SILICONE CABLE WHITE	CÂBLE SILICONE BLANC	WEISS SILIKONKABEL	CABLE SILICONE BLANCO
9/A	PEPE012	mt. 11.6	CAVO SILICONE VETRO sez. 0.35 BLU	SILICONE CABLE BLUE	CÂBLE SILICONE BLEU	BLAUER SILIKONKABEL	CABLE SILICONE AZUL
9/A1	PEPE052	mt. 11.6	CAVO SILICONE VETRO sez. 0.35 NERO	SILICONE CABLE BLACK	CÂBLE SILICONE NOIR	SCHWARZ SILIKONKABEL	CABLE SILICONE NEGRO
9/A2	PEPE022	mt. 11.6	CAVO SILICONE VETRO sez. 0.35 ROSSO	SILICONE CABLE RED	CÂBLE SILICONE ROUGE	ROTHER SILIKONKABEL	CABLE SILICONE ROJO
9/B	PEPE032	mt. 11.6	CAVO SILICONE VETRO sez. 0.35 MARRONE	SILICONE CABLE BROWN	CÂBLE SILICONE BRUN	BRAUNER SILIKONKABEL	CABLE SILICONE MARRÓN
9/C	PE2260	1	INTERRUTTORE A PULSANTE 10A SICUREZZA	SAFETY SWITCH 10A	INTERRUPTEUR SÉCURITÉ 10A	SICHERHEITSSCHALTER 10A	INTERRUPTOR SEGURIDAD 10A
9/D	PE2220	1	INTERRUTTORE 6A PULSANTE BIANCO DET	DETERGENT SWITCH 6A	INTERRUPTEUR DETERGENT 6A	REINIGUNGSMITTELSCHALTER 6A	INTERRUPTOR DETERGENTE 6A
9/E	PE2232	1	INTERRUTTORE 10A DOPPIO I-0/II-0	DOUBLE SWITCH 10A I-0/II-0	INTERRUPTEUR DOUBLE 10A I-0/II-0	DOPPELSCHALTER 10A I-0/II-0	INTERRUPTOR DOBLE 10A I-0/II-0
9/F	PE223A	1	INTERRUTTORE 10A NERO ASPIRAZIONE	VACUUM SWITCH 10A	INTERRUPTEUR ASPIRATION 10A	SAUGSCHALTER 10A	INTERRUPTOR ASPIRACIÓN 10A
9/G	PE2013	5	CONTATTO MASCHIO 10A ILME	CONTACT PIN 10A (MALE)	CONTACT 10A (MÂLE)	KONTAKTSTIFT 10A (VATER)	CONTACTO 10A (MACHO)
10	510204	1	CORPO PISTOLA RADAMES DX	RIGHT BODY HANDGRIP	CORPS POIGNÉE DROITE	HANDGRIFF RECHTER TEIL	CUERPO MANGO DERECHO
12	VI7048	2	VITE TC 2.9x9.5 INOX	STAINLESS STEEL SCREW 2.9x9.5	VIS INOX 2.9x9.5	EDELSTAHL-SCHRAUBE 2.9x9.5	TORNILLO INOX 2.9x9.5
13	VI7105	9	VITE RAPID FIX TC 3.9x16 NERA	RAPID FIX SCREW 3.9x16	VIS RAPID FIX 3.9x16	RAPID FIX SCHRAUBE 3.9x16	TORNILLO RAPID FIX 3.9x16
14	PG5123	1	OR 29.82x2.62 SILICONE ROSSO	RED SILICONE O-RING 29.82x2.62	JOINT SILICONE ROUGE 29.82x2.62	ROTE SILIKONDICHTUNG 29.82x2.62	GUARNICIÓN SILICONE ROJO 29.82x2.62
18	5102104	11	FISSA MANICOTTO NERO	FIXING SLEEVE	SCHLANCHFIXIERUNG	ANNEAU DE FIXAGE	ANILLO DE FIXAGE
19	VI7105	11	VITE RAPID FIX TC 3.9x16 NERA	RAPID FIX SCREW 3.9x16	VIS RAPID FIX 3.9x16	RAPID FIX SCHRAUBE 3.9x16	TORNILLO RAPID FIX 3.9x16
20	PP00184	1	RACCORDO PER TUBO CORRUGATO	FITTING FOR STEAM HOSE	RACCORD POUR TUYAU FLEX.	VERBINDUNGSTÜCK SCHLAUCH	RACORDO PARA TUBO FLEX.
21	PE30005	1	CUSTODIA PER BASE CON 1 LEVA	CONNECTOR CASING	PORTE-CONNECTEUR	GEHÄUSE F. STECKER	CUSTODIA PARA CONECTOR
22	PP00185	1	BLOCCHETTO ISOLANTE ALTA TEMPERATURA	HIGH TEMPERATURE BLOC	BLOC HAUTE TEMPÉRATURE	BLOCK FÜR HOHE TEMPERATUR	BLOCO P. ALTA TEMPERATURA
23	7200104	1	UGELLO FEMMINA 1/8F ø20	FEMALE NOZZLE	BUSE FEMELLE	DÜSE (MUTTER)	BOQUILLA (HEMBRA)
24	7200114	1	PORTAGOMMA 8x16 1/8M	HOSE-END FITTING	EMBOUT	SCHLAUCHANSCHLUSSSTÜCK	PORTA GOMA
25	PE30015	1	TELAIO 3 MODULI	INNER COVER	PORTE-CONNECTEUR INTERNE	INTERNES GEHÄUSE F.STECKER	PORTA CONECTOR INTERNO
26	PE30025	1	FRUTTO UN MODULO 12P	CONNECTOR	CONNECTEUR	KONEKTOR	CONECTOR
27	PG5200	1	FASCETTA CLIC 14-16/6	CLAMP	COLLIER	SHELLE	ABRAZADERA
30	PG5601	1	MANICOTTO ø38-32 TUBOFLEX ø32	HANDLE ø38-32 FLEX. HOSE ø32	POIGNÉE ø38-32 TUYAU FLEX. ø32	HANDGRIFF ø38-32 FLEX. SCHLAUCH ø32	MANGO ø38-32 TUBO FLEX. ø32
31	PG53903	1	OR 26.7x1.78 NBR	O-RING 26.7x1.78 NBR	JOINT 26.7x1.78 NBR	DICHTUNG 26.7x1.78 NBR	GUARNICIÓN 26.7x1.78 NBR