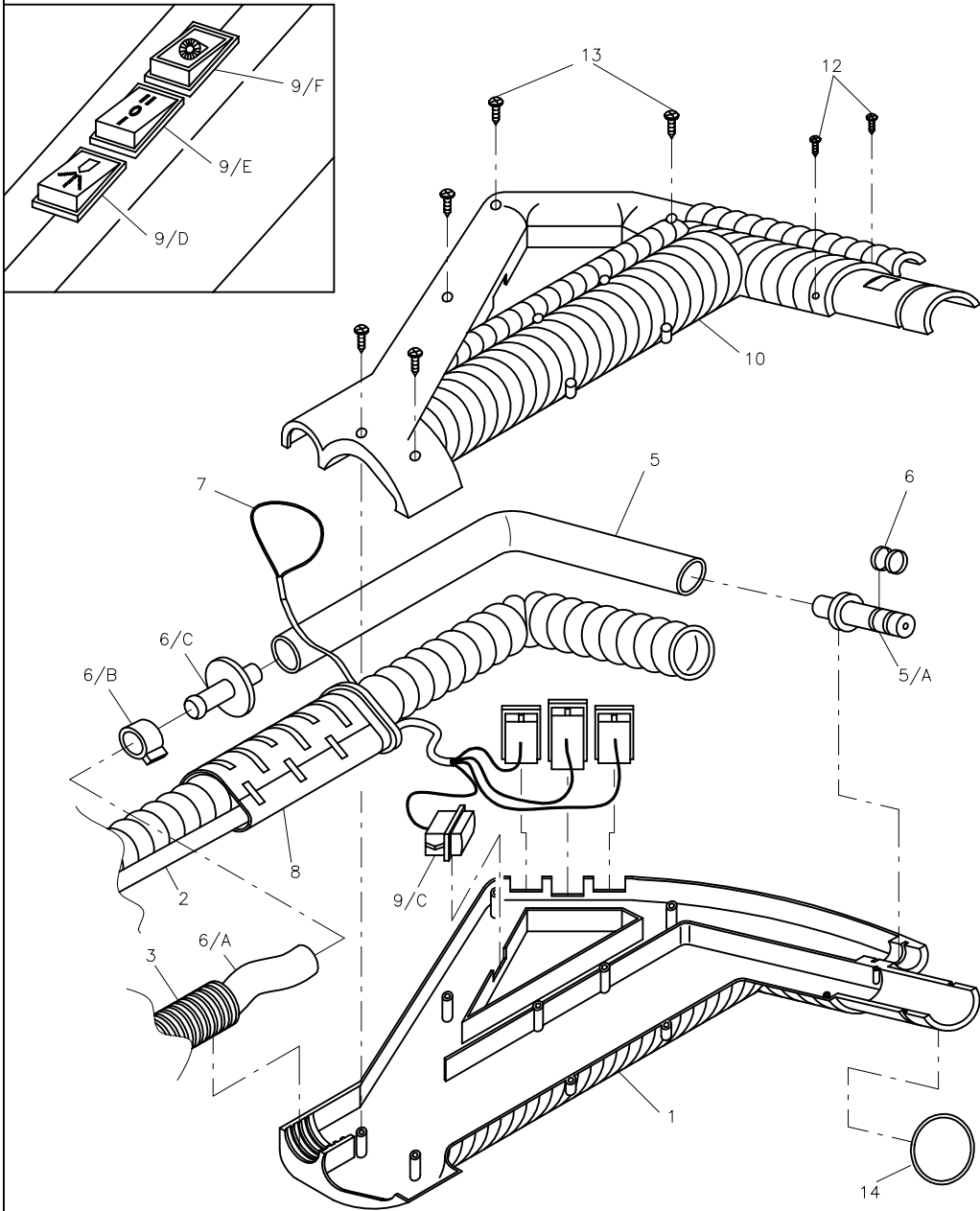
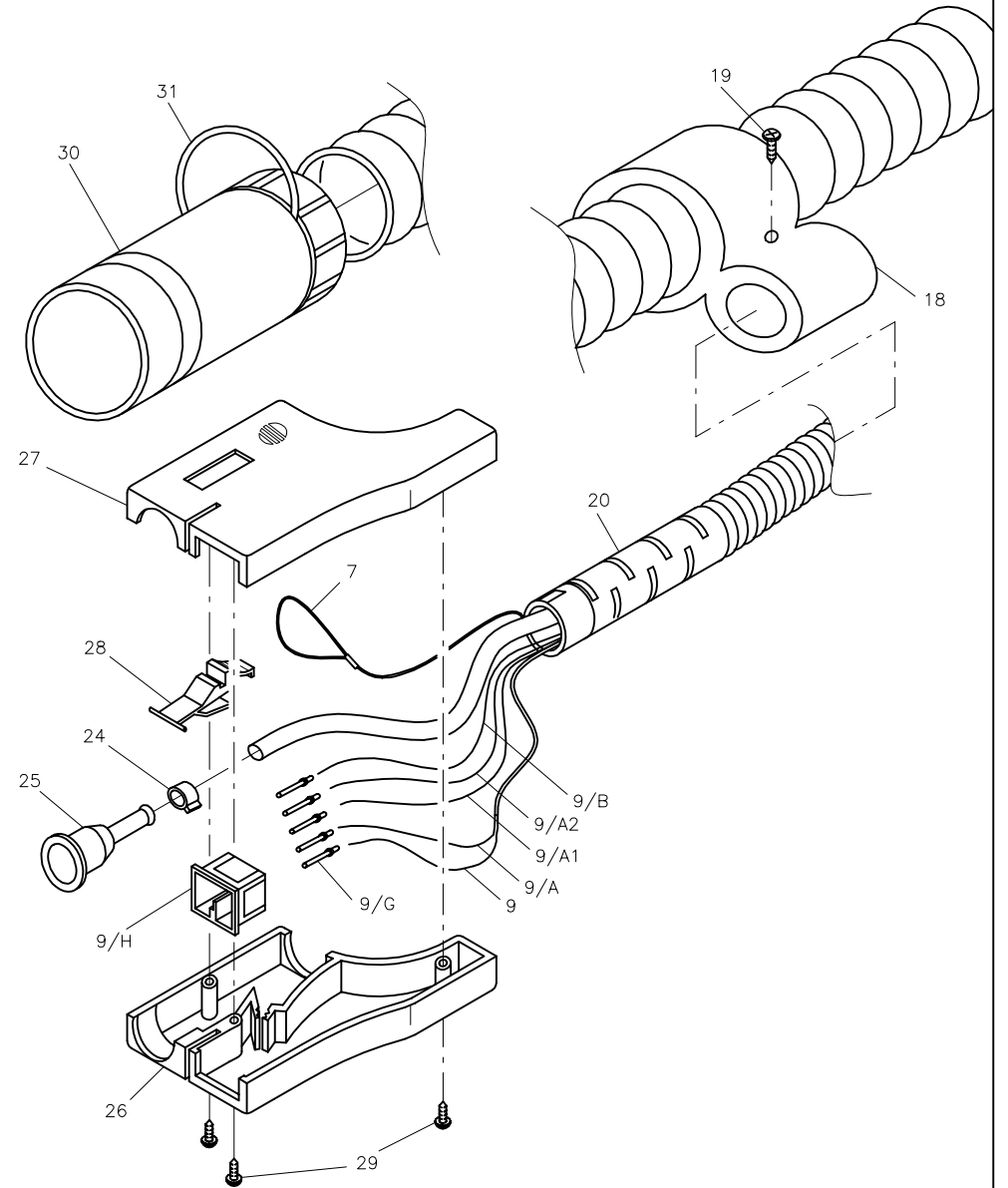


TECNOVAP



TECNOVAP



IMPUGNATURA RADAMES ALTA TEMPERATURA mt.8 7P I4 (cod. 701080TV1)

Pos.	CODICE	Q.tà	DENOMINAZIONE	DENOMINATION	DESCRIPTION	BESCHREIBUNG	DESCRIPCIÓN
1	510205	1	CORPO PISTOLA RADAMES SX	LEFT BODY HANDGRIP	CORPS POIGNÉE GAUCHE	HANDGRIFF LINKER TEIL	CUERPO MANGO IZQUIERDO
2	PG52125	mt. 8	GUAINA FLEX ø132 øe37 NERA	FLEXIBLE VACUUM HOSE	TUYAU FLEXIBLE ASPIRATION	SAUGSCHLAUCH	TUBO FLEXIBLE ASPIRACIÓN
3	PGPG02	mt. 7.25	TUBO CORRUGATO PP-MOD.NW 22	EXTERNAL STEAM HOSE	TUYAU EXTERNE VAPEUR	EXTERNER DAMPFSCHLAUCH	TUBO ESTERNO VAPOR
5	RA30234V1	1	TUBO M9F x M9F L.200 PIEGATO 45°	STEEL TUBE FOR STEAM	TUYAU ACIER VAPEUR	STAHLROHR FÜR DAMPF	TUBO ACERO PARA VAPOR
5/A	1200055	1	UGELLO PER PISTOLA PPS ALTA TEMP.	HIGH T° NOZZLE	BUSE HAUTE T°	HOHE T° DÜSE	BOQUILLA ALTA T°
6	PG51264	2	OR 6.75x1.78 VITON NERO	O-RING 6.75x1.78 VITON	JOINT 6.75x1.78 VITON	DICHTUNG 6.75x1.78 VITON	GUARNICIÓN 6.75x1.78 VITON
6/A	PG5350	mt. 7.3	TUBO ø8x16 170° 8 ATM	INTERNAL STEAM HOSE	TUYAU INTERNE VAPEUR	INTERNER DAMPFSCHLAUCH	TUBO INTERNO VAPOR
6/B	PG5200	1	FASCETTA CLIC 14-16/6	CLAMP 14-16/6	COLLIER 14-16/6	SHELLE 14-16/6	ABRAZADERA 14-16/6
6/C	RA37005	1	PORTAGOMMA OTTONE M9 PG8x16	HOSE END FITTING	EMBOUPT PORTE TUJAU	SCHLAUCHANSCHLUSSSTUCK	BOQUILLA PORTA GOMA
7	RA3023	mt. 8.25	FUNE ACCIAIO ø1.5 ZINCATO	STEEL ROPE	CORDE ACIER	STAHLSEIL	CUERDA ACERO
8	510202	1	MANICOTTO ANTIPIEGA GIALLO	YELLOW FLEXIBLE SLEEVE	PROTECTION FLEXIBLE JAUNE	GELBER SCHLAUCHSCHUTZ	PROTECCIÓN AM. MANGUERA
9	PEPE042	mt. 7.6	CAVO SILICONE VETRO sez. 0.35 BIANCO	SILICONE CABLE WHITE	CÂBLE SILICONE BLANC	WEISS SILIKONKABEL	CABLE SILICONE BLANCO
9/A	PEPE012	mt. 7.6	CAVO SILICONE VETRO sez. 0.35 BLU	SILICONE CABLE BLUE	CÂBLE SILICONE BLEU	BLAUER SILIKONKABEL	CABLE SILICONE AZUL
9/A1	PEPE052	mt. 7.6	CAVO SILICONE VETRO sez. 0.35 NERO	SILICONE CABLE BLACK	CÂBLE SILICONE NOIR	SCHWARZ SILIKONKABEL	CABLE SILICONE NEGRO
9/A2	PEPE022	mt. 7.6	CAVO SILICONE VETRO sez. 0.35 ROSSO	SILICONE CABLE RED	CÂBLE SILICONE ROUGE	ROTTER SILIKONKABEL	CABLE SILICONE ROJO
9/B	PEPE032	mt. 7.6	CAVO SILICONE VETRO sez. 0.35 MARRONE	SILICONE CABLE BROWN	CÂBLE SILICONE BRUN	BRAUNER SILIKONKABEL	CABLE SILICONE MARRÓN
9/C	PE2260	1	INTERRUTTORE A PULSANTE 10A SICUREZZA	SAFETY SWITCH 10A	INTERRUPTEUR SÉCURITÉ 10A	SICHERHEITSSCHALTER 10A	INTERRUPTOR SEGURIDAD 10A
9/D	PE2220	1	INTERRUTTORE 6A PULSANTE BIANCO DET	DETERGENT SWITCH 6A	INTERRUPTEUR DETERGENT 6A	REINIGUNGSMITTELSCHALTER 6A	INTERRUPTOR DETERGENTE 6A
9/E	PE2232	1	INTERRUTTORE 10A DOPPIO I-0/II-0	DOUBLE SWITCH 10A I-0/II-0	INTERRUPTEUR DOUBLE 10A I-0/II-0	DOPPELSCHALTER 10A I-0/II-0	INTERRUPTOR DOBLE 10A I-0/II-0
9/F	PE223A	1	INTERRUTTORE 10A NERO ASPIRAZIONE	VACUUM SWITCH 10A	INTERRUPTEUR ASPIRATION 10A	SAUGSCHALTER 10A	INTERRUPTOR ASPIRACIÓN 10A
9/G	PE2013	5	CONTATTO MASCHIO 10A ILME	CONTACT PIN 10A (MALE)	CONTACT 10A (MÂLE)	KONTAKTSTIFT 10A (VATER)	CONTACTO 10A (MACHO)
9/H	PE2178	1	FRUTTO SPINA 7P+T FEMMINA	PLUG CONNECTOR 8 PIN (FEMALE)	CONNECTEUR 7P+T (FEMELLE)	KONNEKTOR 7P+T (MUTTER)	CONECTOR 7P+T (HEMBRA)
10	510204	1	CORPO PISTOLA RADAMES DX	RIGHT BODY HANDGRIP	CORPS POIGNÉE DROITE	HANDGRIFF RECHTER TEIL	CUERPO MANGO DERECHO
12	VI7048	2	VITE TC 2.9x9.5 INOX	STAINLESS STEEL SCREW 2.9x9.5	VIS INOX 2.9x9.5	EDELSTAHL-SCHRAUBE 2.9x9.5	TORNILLO INOX 2.9x9.5
13	VI7105	9	VITE RAPID FIX TC 3.9x16 NERA	RAPID FIX SCREW 3.9x16	VIS RAPID FIX 3.9x16	RAPID FIX SCHRAUBE 3.9x16	TORNILLO RAPID FIX 3.9x16
14	PG5123	1	OR 29.82x2.62 SILICONE ROSSO	RED SILICONE O-RING 29.82x2.62	JOINT SILICONE ROUGE 29.82x2.62	ROTE SILIKONDICHTUNG 29.82x2.62	GUARNICIÓN SILICONE ROJO 29.82x2.62
18	5102104	9	FISSA MANICOTTO NERO	FIXING SLEEVE	SCHLANCHFIXIERUNG	ANNEAU DE FIXAGE	ANILLO DE FIXAGE
19	VI7105	9	VITE RAPID FIX TC 3.9x16 NERA	RAPID FIX SCREW 3.9x16	VIS RAPID FIX 3.9x16	RAPID FIX SCHRAUBE 3.9x16	TORNILLO RAPID FIX 3.9x16
20	120216	1	MANICOTTO ANTIPIEGA GIALLO JULY	YELLOW FLEXIBLE SLEEVE JULY	PROTECTION FLEXIBLE JULY JAUNE	GELBER SCHLAUCHSCHUTZ JULY	PROTECCIÓN AM. MANGUERA JULY
24	PG5200	1	FASCETTA CLIC 14-16/6	CLAMP 14-16/6	COLLIER 14-16/6	SHELLE 14-16/6	ABRAZADERA 14-16/6
25	RA31053	1	UGELLO ROTONDO FEMMINA COMPLETO	ROUND FEMALE NOZZLE	BUSE RONDE COMPLÈTE	KOMPLETTE RUNDE DÜSE	BOQUILLA REDONDA COMPLETA
26	120202	1	CORPO SPINA INFERIORE	LOWER STEAM PLUG BODY	PARTIE INF. FICHE VAPEUR	UNTERER TEIL DAMPFSTECKER	PORTE INF. TOMA VAPOR
27	120201	1	CORPO SPINA SUPERIORE	UPPER STEAM PLUG BODY	PARTIE SUP. FICHE VAPEUR	OBERER TEIL DAMPFSTECKER	PORTE SUP. TOMA VAPOR
28	120218	1	PULSANTE PER SPINA NERO F/V	STOPPER	BOUTON FIXAGE FICHE VAPEUR	EINRASTKNOPF DAMPFSTECKER	BOTÓN BLOCAJE TOMA VAPOR
29	VI7105	3	VITE RAPID FIX TC 3.9x16 NERA	RAPID FIX SCREW 3.9x16	VIS RAPID FIX 3.9x16	RAPID FIX SCHRAUBE 3.9x16	TORNILLO RAPID FIX 3.9x16
30	PG5601	1	MANICOTTO ø38-32 TUBOFLEX ø32	HANDLE ø38-32 FLEX. HOSE ø32	POIGNÉE ø38-32 TUYAU FLEX. ø32	HANDGRIFF ø38-32 FLEX. SCHLAUCH ø32	MANGO ø38-32 TUBO FLEX. ø32
31	PG53903	1	OR 26.7x1.78 NBR	O-RING 26.7x1.78 NBR	JOINT 26.7x1.78 NBR	DICHTUNG 26.7x1.78 NBR	GUARNICIÓN 26.7x1.78 NBR