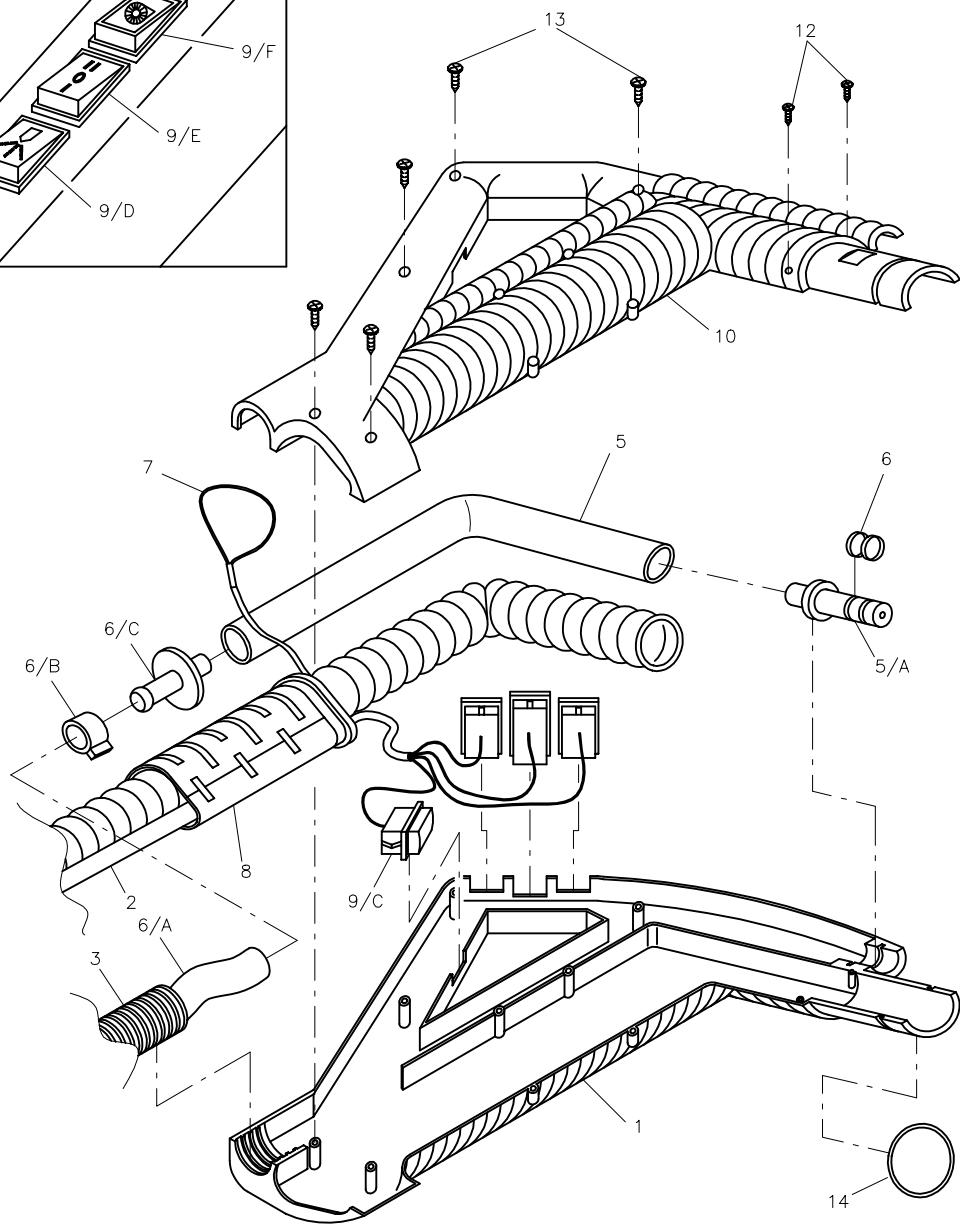
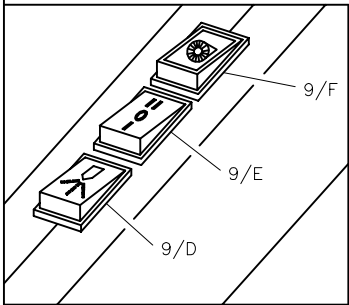
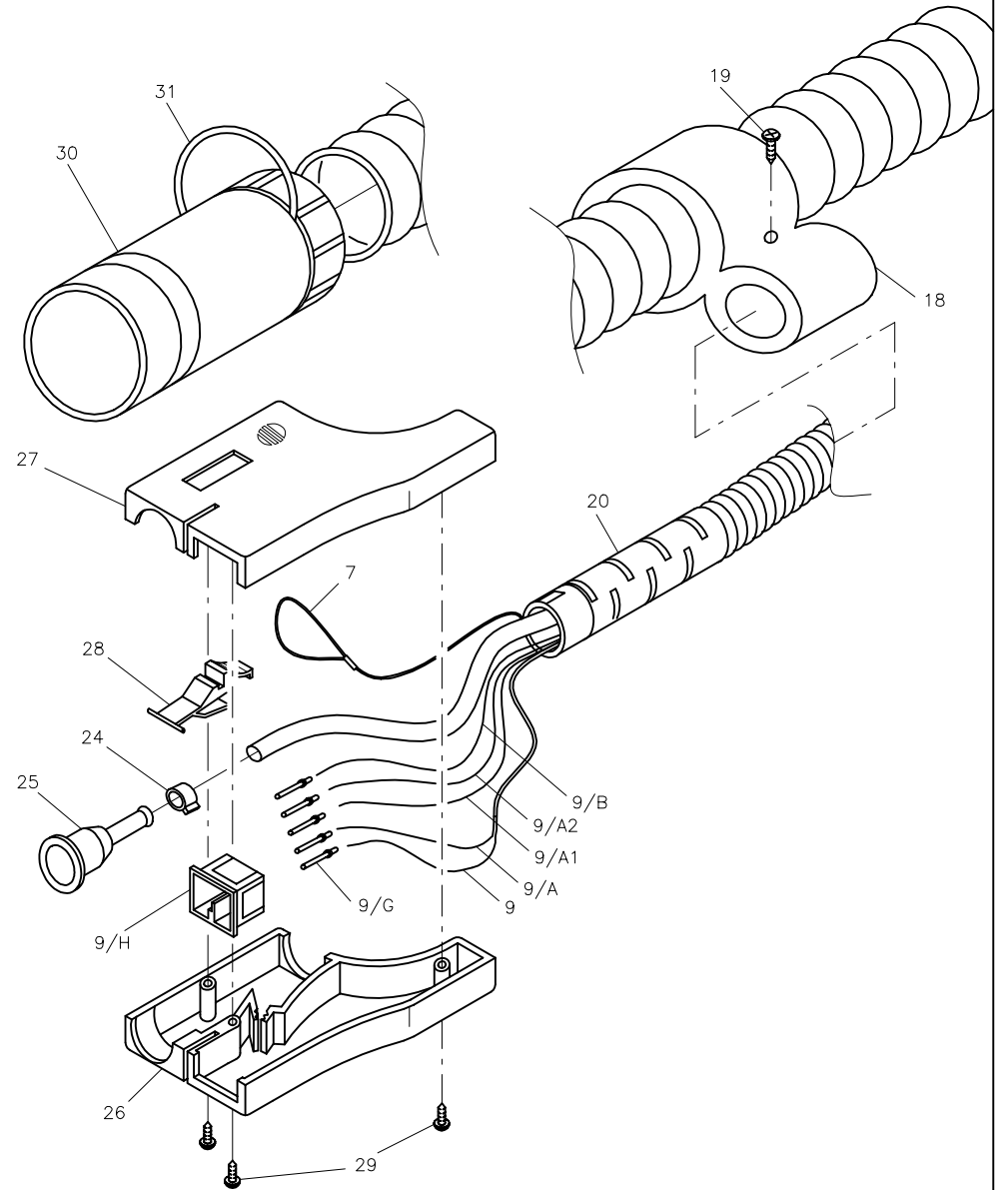


TECNOVAP



TECNOVAP



IMPUGNATURA RADAMES ALTA TEMPERATURA mt.12 7P I4 (cod. 701012TV1)

| Pos. | CODICE | Q.tà | DENOMINAZIONE | DENOMINATION | DESCRIPTION | BESCHREIBUNG | DESCRIPCIÓN |
|------|-----------|-----------|---------------------------------------|--------------------------------|----------------------------------|-------------------------------------|-------------------------------------|
| 1 | 510205 | 1 | CORPO PISTOLA RADAMES SX | LEFT BODY HANDGRIP | CORPS POIGNÉE GAUCHE | HANDGRIFF LINKER TEIL | CUERPO MANGO IZQUIERDO |
| 2 | PG52125 | mt. 12 | GUAINA FLEX ø132 øe37 NERA | FLEXIBLE VACUUM HOSE | TUYAU FLEXIBLE ASPIRATION | SAUGSCHLAUCH | TUBO FLEXIBLE ASPIRACIÓN |
| 3 | PGPG02 | mt. 11.25 | TUBO CORRUGATO PP-MOD.NW 22 | EXTERNAL STEAM HOSE | TUYAU EXTERNE VAPEUR | EXTERNER DAMPFSCHLAUCH | TUBO ESTERNO VAPOR |
| 5 | RA30234V1 | 1 | TUBO M9F x M9F L.200 PIEGATO 45° | STEEL TUBE FOR STEAM | TUYAU ACIER VAPEUR | STAHLROHR FÜR DAMPF | TUBO ACERO PARA VAPOR |
| 5/A | 1200055 | 1 | UGELLO PER PISTOLA PPS ALTA TEMP. | HIGH T° NOZZLE | BUSE HAUTE T° | HOHE T° DÜSE | BOQUILLA ALTA T° |
| 6 | PG51264 | 2 | OR 6.75x1.78 VITON NERO | O-RING 6.75x1.78 VITON | JOINT 6.75x1.78 VITON | DICHTUNG 6.75x1.78 VITON | GUARNICIÓN 6.75x1.78 VITON |
| 6/A | PG5350 | mt. 11.3 | TUBO ø8x16 170° 8 ATM | INTERNAL STEAM HOSE | TUYAU INTERNE VAPEUR | INTERNER DAMPFSCHLAUCH | TUBO INTERNO VAPOR |
| 6/B | PG5200 | 1 | FASCETTA CLIC 14-16/6 | CLAMP 14-16/6 | COLLIER 14-16/6 | SHELLE 14-16/6 | ABRAZADERA 14-16/6 |
| 7/C | RA37005 | 1 | PORTAGOMMA OTTONE M9 PG8x16 | HOSE END FITTING | EMBOUT PORTE TUJAU | SCHLAUCHANSCHLUSSSTUCK | BOQUILLA PORTA GOMA |
| 7 | RA3023 | mt. 12.25 | FUNE ACCIAIO ø1.5 ZINCATO | STEEL ROPE | CORDE ACIER | STAHLSEIL | CUERDA ACERO |
| 8 | 510202 | 1 | MANICOTTO ANTIPIEGA GIALLO | YELLOW FLEXIBLE SLEEVE | PROTECTION FLEXIBLE JAUNE | GELBER SCHLAUCHSCHUTZ | PROTECCIÓN AM. MANGUERA |
| 9 | PEPE042 | mt. 11.6 | CAVO SILICONE VETRO sez. 0.35 BIANCO | SILICONE CABLE WHITE | CÂBLE SILICONE BLANC | WEISS SILIKONKABEL | CABLE SILICONE BLANCO |
| 9/A | PEPE012 | mt. 11.6 | CAVO SILICONE VETRO sez. 0.35 BLU | SILICONE CABLE BLUE | CÂBLE SILICONE BLEU | BLAUER SILIKONKABEL | CABLE SILICONE AZUL |
| 9/A1 | PEPE052 | mt. 11.6 | CAVO SILICONE VETRO sez. 0.35 NERO | SILICONE CABLE BLACK | CÂBLE SILICONE NOIR | SCHWARZ SILIKONKABEL | CABLE SILICONE NEGRO |
| 9/A2 | PEPE022 | mt. 11.6 | CAVO SILICONE VETRO sez. 0.35 ROSSO | SILICONE CABLE RED | CÂBLE SILICONE ROUGE | ROTER SILIKONKABEL | CABLE SILICONE ROJO |
| 9/B | PEPE032 | mt. 11.6 | CAVO SILICONE VETRO sez. 0.35 MARRONE | SILICONE CABLE BROWN | CÂBLE SILICONE BRUN | BRAUNER SILIKONKABEL | CABLE SILICONE MARRÓN |
| 9/C | PE2260 | 1 | INTERRUTTORE A PULSANTE 10A SICUREZZA | SAFETY SWITCH 10A | INTERRUPTEUR SÉCURITÉ 10A | SICHERHEITSSCHALTER 10A | INTERRUPTOR SEGURIDAD 10A |
| 9/D | PE2220 | 1 | INTERRUTTORE 6A PULSANTE BIANCO DET | DETERGENT SWITCH 6A | INTERRUPTEUR DETERGENT 6A | REINIGUNGSMITTELSCHALTER 6A | INTERRUPTOR DETERGENTE 6A |
| 9/E | PE2232 | 1 | INTERRUTTORE 10A DOPPIO I-0/II-0 | DOUBLE SWITCH 10A I-0/II-0 | INTERRUPTEUR DOUBLE 10A I-0/II-0 | DOPPELSCHALTER 10A I-0/II-0 | INTERRUPTOR DOBLE 10A I-0/II-0 |
| 9/F | PE223A | 1 | INTERRUTTORE 10A NERO ASPIRAZIONE | VACUUM SWITCH 10A | INTERRUPTEUR ASPIRATION 10A | SAUGSCHALTER 10A | INTERRUPTOR ASPIRACIÓN 10A |
| 9/G | PE2013 | 5 | CONTATTO MASCHIO 10A ILME | CONTACT PIN 10A (MALE) | CONTACT 10A (MÂLE) | KONTAKTSTIFT 10A (VATER) | CONTACTO 10A (MACHO) |
| 9/H | PE2178 | 1 | FRUTTO SPINA 7P+T FEMMINA | PLUG CONNECTOR 8 PIN (FEMALE) | CONNECTEUR 7P+T (FEMELLE) | KONNEKTOR 7P+T (MUTTER) | CONECTOR 7P+T (HEMBRA) |
| 10 | 510204 | 1 | CORPO PISTOLA RADAMES DX | RIGHT BODY HANDGRIP | CORPS POIGNÉE DROITE | HANDGRIFF RECHTER TEIL | CUERPO MANGO DERECHO |
| 12 | VI7048 | 2 | VITE TC 2.9x9.5 INOX | STAINLESS STEEL SCREW 2.9x9.5 | VIS INOX 2.9x9.5 | EDELSTAHL-SCHRAUBE 2.9x9.5 | TORNILLO INOX 2.9x9.5 |
| 13 | VI7105 | 9 | VITE RAPID FIX TC 3.9x16 NERA | RAPID FIX SCREW 3.9x16 | VIS RAPID FIX 3.9x16 | RAPID FIX SCHRAUBE 3.9x16 | TORNILLO RAPID FIX 3.9x16 |
| 14 | PG5123 | 1 | OR 29.82x2.62 SILICONE ROSSO | RED SILICONE O-RING 29.82x2.62 | JOINT SILICONE ROUGE 29.82x2.62 | ROTE SILIKONDICHTUNG 29.82x2.62 | GUARNICIÓN SILICONE ROJO 29.82x2.62 |
| 18 | 5102104 | 11 | FISSA MANICOTTO NERO | FIXING SLEEVE | SCHLANCHFIXIERUNG | ANNEAU DE FIXAGE | ANILLO DE FIXAGE |
| 19 | VI7105 | 11 | VITE RAPID FIX TC 3.9x16 NERA | RAPID FIX SCREW 3.9x16 | VIS RAPID FIX 3.9x16 | RAPID FIX SCHRAUBE 3.9x16 | TORNILLO RAPID FIX 3.9x16 |
| 20 | 120216 | 1 | MANICOTTO ANTIPIEGA GIALLO JULY | YELLOW FLEXIBLE SLEEVE JULY | PROTECTION FLEXIBLE JULY JAUNE | GELBER SCHLAUCHSCHUTZ JULY | PROTECCIÓN AM. MANGUERA JULY |
| 24 | PG5200 | 1 | FASCETTA CLIC 14-16/6 | CLAMP 14-16/6 | COLLIER 14-16/6 | SHELLE 14-16/6 | ABRAZADERA 14-16/6 |
| 25 | RA31053 | 1 | UGELLO ROTONDO FEMMINA COMPLETO | ROUND FEMALE NOZZLE | BUSE RONDE COMPLÈTE | KOMPLETTE RUNDE DÜSE | BOQUILLA REDONDA COMPLETA |
| 26 | 120202 | 1 | CORPO SPINA INFERIORE | LOWER STEAM PLUG BODY | PARTIE INF. FICHE VAPEUR | UNTERER TEIL DAMPFSTECKER | PORTE INF. TOMA VAPOR |
| 27 | 120201 | 1 | CORPO SPINA SUPERIORE | UPPER STEAM PLUG BODY | PARTIE SUP. FICHE VAPEUR | OBERER TEIL DAMPFSTECKER | PORTE SUP. TOMA VAPOR |
| 28 | 120218 | 1 | PULSANTE PER SPINA NERO F/V | STOPPER | BOUTON FIXAGE FICHE VAPEUR | EINRASTKNOPF DAMPFSTECKER | BOTÓN BLOCAJE TOMA VAPOR |
| 29 | VI7105 | 3 | VITE RAPID FIX TC 3.9x16 NERA | RAPID FIX SCREW 3.9x16 | VIS RAPID FIX 3.9x16 | RAPID FIX SCHRAUBE 3.9x16 | TORNILLO RAPID FIX 3.9x16 |
| 30 | PG5601 | 1 | MANICOTTO ø38-32 TUBOFLEX ø32 | HANDLE ø38-32 FLEX. HOSE ø32 | POIGNÉE ø38-32 TUYAU FLEX. ø32 | HANDGRIFF ø38-32 FLEX. SCHLAUCH ø32 | MANGO ø38-32 TUBO FLEX. ø32 |
| 31 | PG53903 | 1 | OR 26.7x1.78 NBR | O-RING 26.7x1.78 NBR | JOINT 26.7x1.78 NBR | DICHTUNG 26.7x1.78 NBR | GUARNICIÓN 26.7x1.78 NBR |