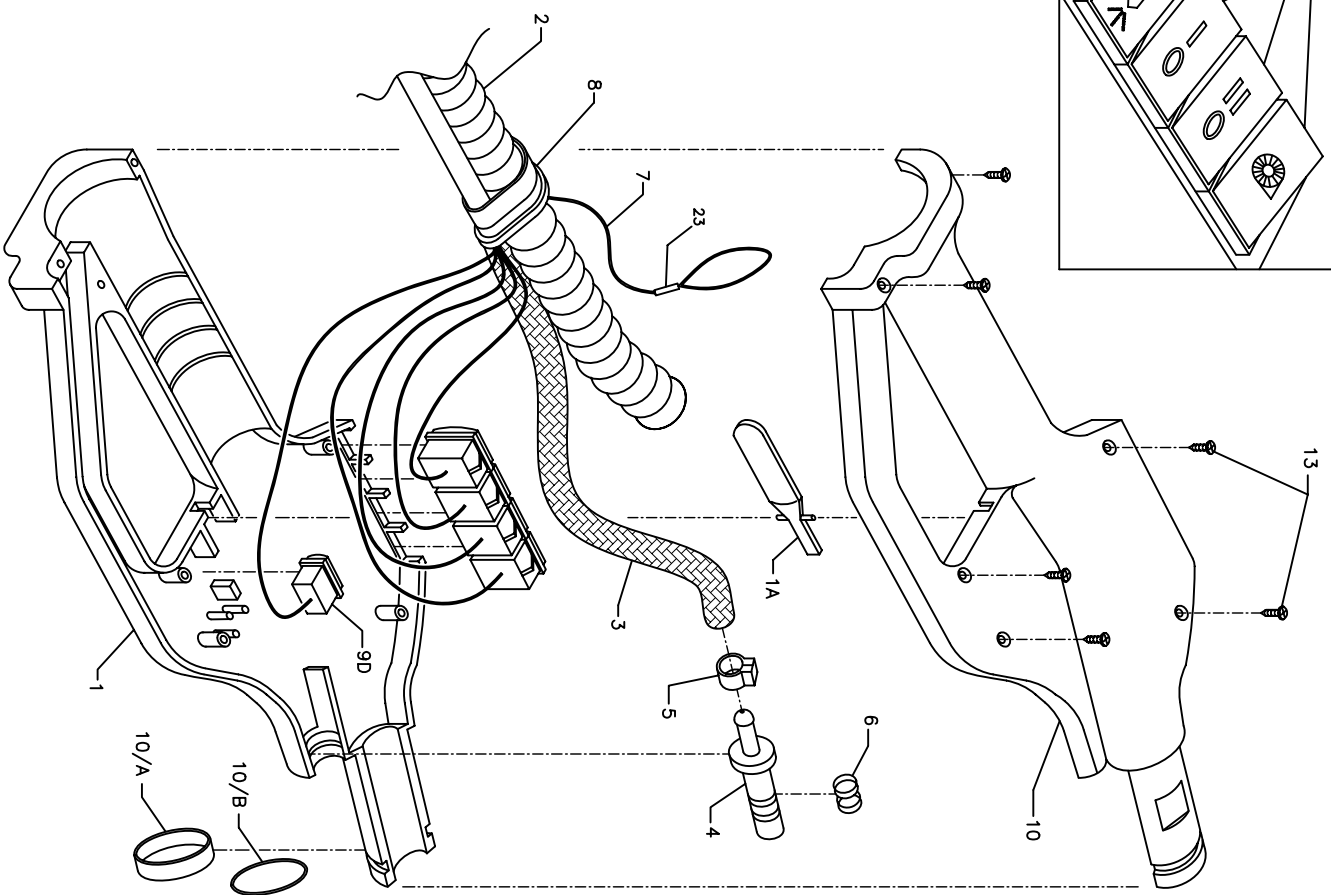
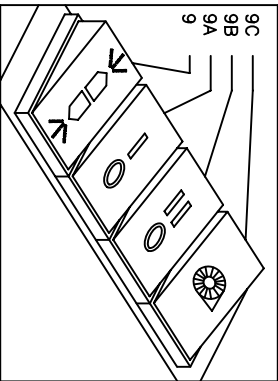
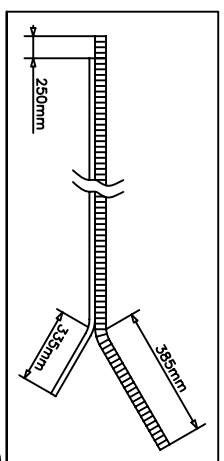
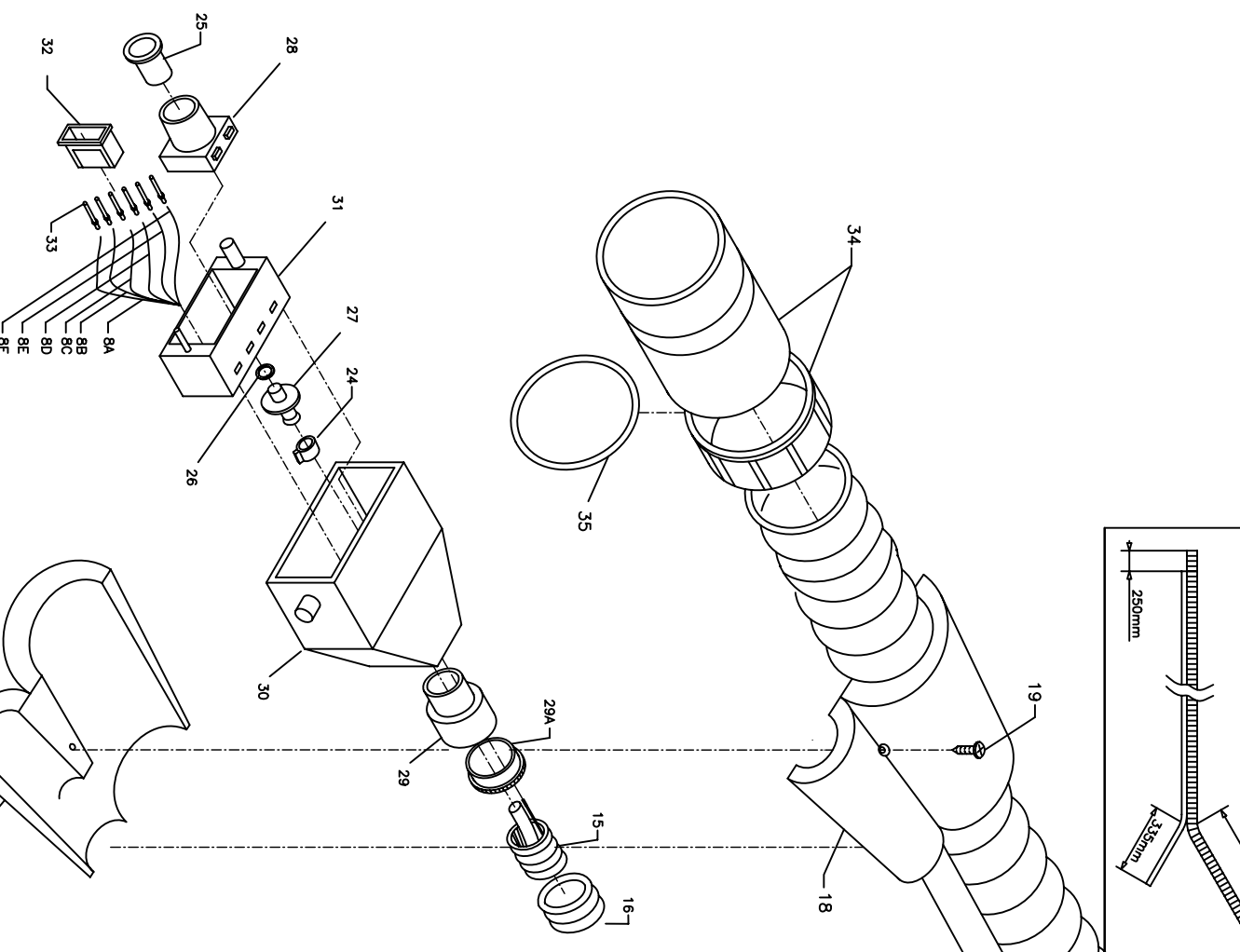


Tecnovap



Tecnovap



Impugnatura Star mt 8 7P 14 S.BOX:VAC IND+H2O COD.601180W 26/10/2010

Pos.	Codice	Q.tà	Denominazione	Denomination
IMPUGNATURA STAR mt8 12P I4 S.BOX.VAC IND+H2O REV.0 cod.601180W 26/10/2010				
1	6100002	1	CORPO PISTOLA STAR SX	LEFT BODY HANDGRIP
1A	6100003	1	LEVA PER PULSANTE EMERG.	TRIGGER FOR SWITCH
2	PG52014	1	GUAINA FLEX Ø30,8X36 8mt	EXTERNAL FLEX HOSE
3	PG53049	mt 7.9	TUBO GOMMA CALZATO SILICONE Ø 5.5X9	SLEEVED STEAM HOSE Ø 5.5X9
4	6100006	1	UGELLO PER PISTOLA STAR	ROUND MALE NOZZLE
5	PG5215	1	FASCETTA STRIK. MONOR. 8.5-10	SINGLE EAR CLAMP 8,5-10
6	PG51264	2	OR 6.75X1.78 VITON NERO	O-RING
7	RA3023	mt 8.25	FUNE ACCIAIO Ø1.5 ZN	STEEL ROPE Ø1.5 ZN
8	510202	1	MANICOTTO ANTIPIEGA GIALLO RADAMES	YELLOW FLEXIBLE SLEEVE
8A	PEPE042	mt.8,30	CAVO TEFLON sez.0,50(19x0,18)Cu-Sn BIANCO	TEFLON CABLE WHITE
8B	PEPE012	mt.8,30	CAVO TEFLON sez.0,50 (19x0,18) Cu-Sn BLU	TEFLON CABLE BLUE
8C	PEPE032	mt.8,30	CAVO TEFLON sez.0,50(19x0,18)Cu-Sn MARRON	TEFLON CABLE BROWN
8D	PEPE052	mt.8,30	CAVO TEFLON sez.0,50(19x0,18) Cu-Sn NERO	TEFLON CABLE BLACK
8E	PEPE062	mt.8,30	CAVO TEFLON sez.0,50(19x0,18)Cu-SnGRIGIO	TEFLON CABLE GREY
8F	PEPE022	mt.8,30	CAVO TEFLON sez.0,50(19x0,18)Cu-Sn TRASP	TEFLON CABLE TRASPARENT
9	PE227S7	1	COMMUTATORE PULSANTE 10A SERIGRAFATO	SWITCH 10A WHITE WATER OR DETER.
9A	PE223C	1	INTERRUTTORE 10A NERO VAPORE MINIMO	SWITCH 10A MINIMUM STEAM
9B	PE223I	1	INTERRUTTORE 10A NERO VAPORE MEDIO	SWITCH 10A MEDIUM STEAM
9C	PE223A	1	INTERRUTTORE 10A NERO ASPIRAZIONE	VACUUM SWITCH 10 A
9D	PE2260	1	INTERRUTTORE A PULSANTE 10A SIC.	SAFETY SWITCH 10A
10	6100001	1	CORPO PISTOLA STAR DX	RIGHT BODY HANDGRIP
10/A	6100004	1	ANELLO FISSAGGIO PIST. STAR	RING CLAMP
10/B	PG53903	1	OR 26.7X1.78 NBR (OR2106)	O-RING
13	VI7105	7	VITE RAPID FIX ZN TC 3.9X16	RAPID-FIX SCREW ZN TC 3,9X16
15	PGPG07	mt 0.22	TUBO CORRUGATO PP NW17	WRINKLED TUBE
16	PGPG02	mt 0.035	TUBO CORRUGATO PP NW22	WRINKLED TUBE
17	510209	1	FISSA MANICOTTO NERO DX	RIGHT BODY FIXING SLEEVE
18	5102093	1	FISSA MANICOTTO NERO SX	LEFT BODY FIXING SLEEVE
19	VI7105	1	VITE RAPID FIX ZN TC 3.9X16	RAPID-FIX SCREW ZN TC 3,9X16
23	PE21523	1	GIUNTO TESTA TESTA	CLAMP
24	PG5231	1	FASCETTA CLIC 9.5-11/5 (90-VIOLA)	CLAMP 9.5-11/5
25	7200104	1	UGELLO FEMMINA 1/8F Ø20 L36,3	FEMALE NOZZLE
26	VI75005	1	RONDELLA PIANA M10 INOX	WASHER M10
27	RA3020	1	PORTAGOMMA 7X1/8M	HOSE 7X1/8M
28	PP00185	1	BLOCCHETTO ISOLANTE ALTA TEMPERATURA	HIGH TEMPERATURE BLOC
29	PP00186	1	RACCORDO PER TUBO CORRUGATO PG 16	FITTING FOR STEAM HOSE
29A	ES32146	1	RIDUZIONE DA PG21 A PG16	TUBE COUPLER 7X1/8"M
30	PE30005	1	CUSTODIA PER BASE CON 1 LEVA	CONNECTOR CASING
31	PE30015	1	TELAIO INCERN. 3 MODULI X CUST.HARTING	INNER COVER
32	PE30025	1	FRUTTO 1 MODULO 12P	CONNECTOR
33	PE2013	6	CONTATTO MASCHIO 10A ILME	CONTACT PIN 10 A (MALE)
34	PG5601	1	MANICOT. Ø38-32 TUBOFLEX Ø32	HANDLE Ø38-32 FLEX. HOSE Ø32
35	PG53903	1	OR 26.7X1.78 (OR 2106)	O-RING