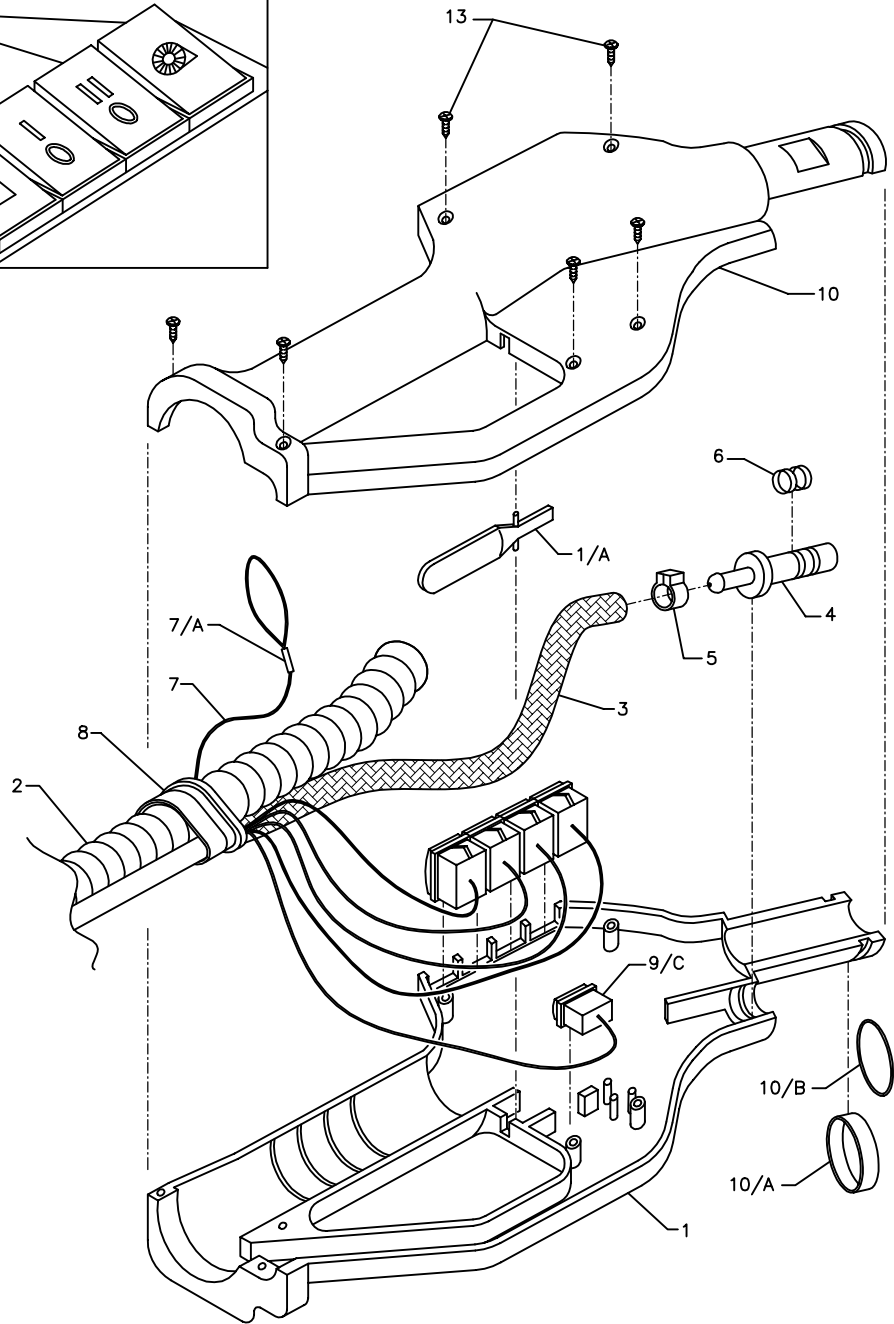
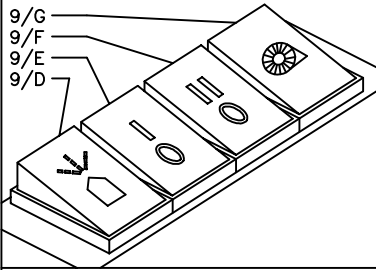
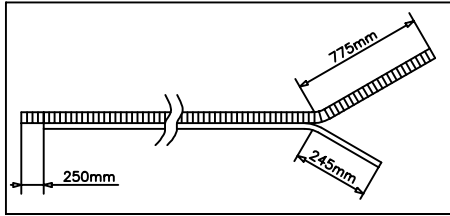
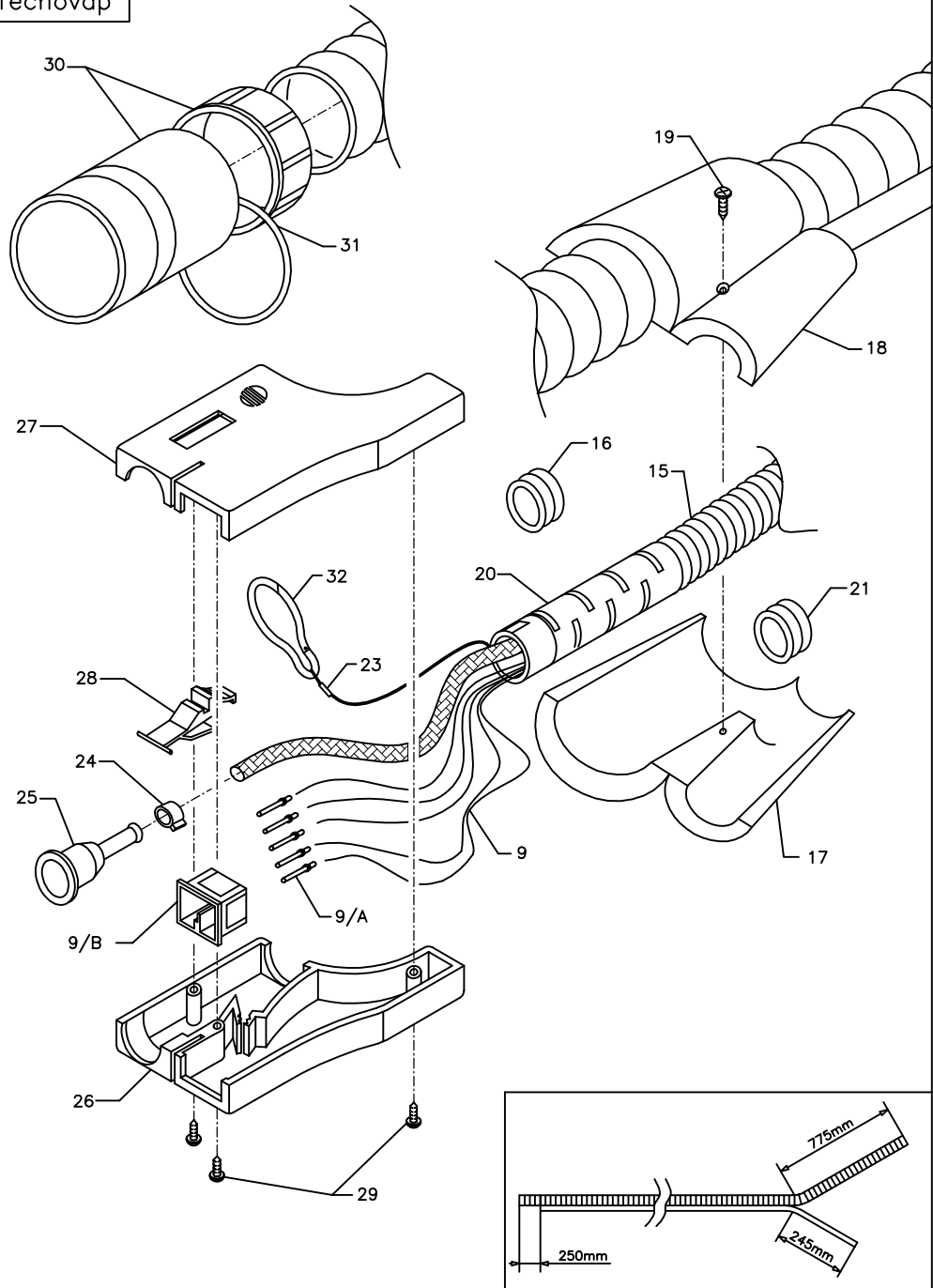


Tecnovap



Tecnovap



Pos.	Codice	Q.tà	Denominazione	Denomination
<b>IMPUGNATURA STAR 8mt 7P 4I STEAM TECH (cod. 601080T) REV.0 03/04/08</b>				
1	6100002	1	CORPO PIST. STAR SX	LEFT BODY HANDGRIP
1/A	6100003	1	LEVA PER PULSANTE EMERG.	TRIGGER FOR SWITCH
2	PG52014	1	GUAINA FLEX Ø30,8X36 8mt	EXTERNAL FLEX HOSE
3	PG5327	MT 7.67	TUBO GOMMA CALZ. NERO Ø4X8	SLEEVED STEAM HOSE Ø 4X8
4	6100006	1	UGELLO PER PISTOLA STAR	ROUND MALE NOZZLE
5	PG5215	1	FASCETTA STRIK. MONOR. 8.5-10	SINGLE EAR CLAMP 8,5-10
6	PG5116	2	OR 6.75X1.78 NBR NERO	O-RING
7	RA3023	MT 8.25	FUNE ACCIAIO Ø1.5 ZN ROTOLO	STEEL ROPE Ø1.5 ZN
7/A	PE2152	1	GIUNTO PARALLELO L1P 4-6	CLAMP
8	510202	1	MANICOT. ANTIP.GIALLO	YELLOW FLEXIBLE SLEEVE -
9	PEPE61	1	CAVO SEZ. 5X0.35 4I PER ZAOH	WIRING 5X0.35
9/A	PE2013	5	CONTATTO MASCHIO 10A ILME	CONTACT PIN 10 A (MALE)
9/B	PE2178	1	FRUTTO SPINA 7P+T FEMMINA	PLUG CONNECTOR 8 PIN (FEMALE)
9/C	PE2260	1	INTER. A PULSANTE 10A BIANCO	SAFETY SWITCH 10A
9/D	PE2220	1	INTERR. 6A BIANCO DETERGENT.	DETERGENT SWITCH 6A WHITE
9/E	PE223C	1	INTERR. 10 A NERO VAPORE MIN.	SWITCH 10A MINIMUM STEAM
9/F	PE223I	1	INTERR. 10 A NERO VAPORE MED.	SWITCH 10A MEDIUM STEAM
9/G	PE223A	1	INTERR. 10A ASPIRAZIONE	VACUUM SWITCH 10 A
10	6100001	1	CORPO PIST. STAR DX	RIGHT BODY HANDGRIP
10/A	6100004	1	ANELLO FISSAGGIO PIST. STAR	RING CLAMP
10/B	PG53903	1	OR 26.7X1.78 NBR (OR2106)	O-RING
13	VI7105	7	VITE RAPID FIX ZN TC 3.9X16	RAPID-FIX SCREW ZN TC 3,9X16
15	PGPG07	MT 0.22	TUBO CORRUGATO PP NW17	WRINKLED TUBE
16	PGPG02	MT 0.035	TUBO CORRUGATO PP NW22	WRINKLED TUBE
17	510209	1	FISSA MANICOTTO NERO DX	RIGHT BODY FIXING SLEEVE
18	5102093	1	FISSA MANICOTTO NERO SX	LEFT BODY FIXING SLEEVE
19	VI7105	1	VITE RAPID FIX ZN TC 3.9X16	RAPID-FIX SCREW ZN TC 3,9X16
20	120216	1	MANICOTTO ANTIPIEGA GIALLO	YELLOW FLEXIBLE SLEEVE
21	PGPG02	MT 0.035	TUBO CORRUGATO PP NW22	WRINKLED TUBE
23	PE21523	1	FASC. GIUNZIONE OT/SN 4X6 L1M	CLAMP OT/SN
24	PG5231	1	FASCETTA CLIC 9.5-11/5	CLAMP 9.5-11/5
25	12001T	1	UGELLO ROT. FEMMINA OTTONE	ROUND FEMALE NOZZLE
26	120209	1	CORPO SPINA INF. GRANDE	LOWER STEAM PLUG BODY
27	120208	1	CORPO SPINA SUP. GRANDE	UPPER STEAM PLUG BODY
28	120218	1	PULSANTE PER SPINA NERO	STOPPER
29	VI7105	3	VITE RAPID FIX ZN TC 3.9X16	RAPID-FIX SCREW ZN TC 3,9X16
30	PG5601	1	MANICOT. Ø38-32 TUBOFLEX Ø32	HANDLE Ø38-32 FLEX. HOSE Ø32
31	PG53903	1	OR 26.7X1.78 (OR 2106)	O-RING
32	RA35002	1	MOSCHETT. PER IMPUGNATURA	SHACKLE