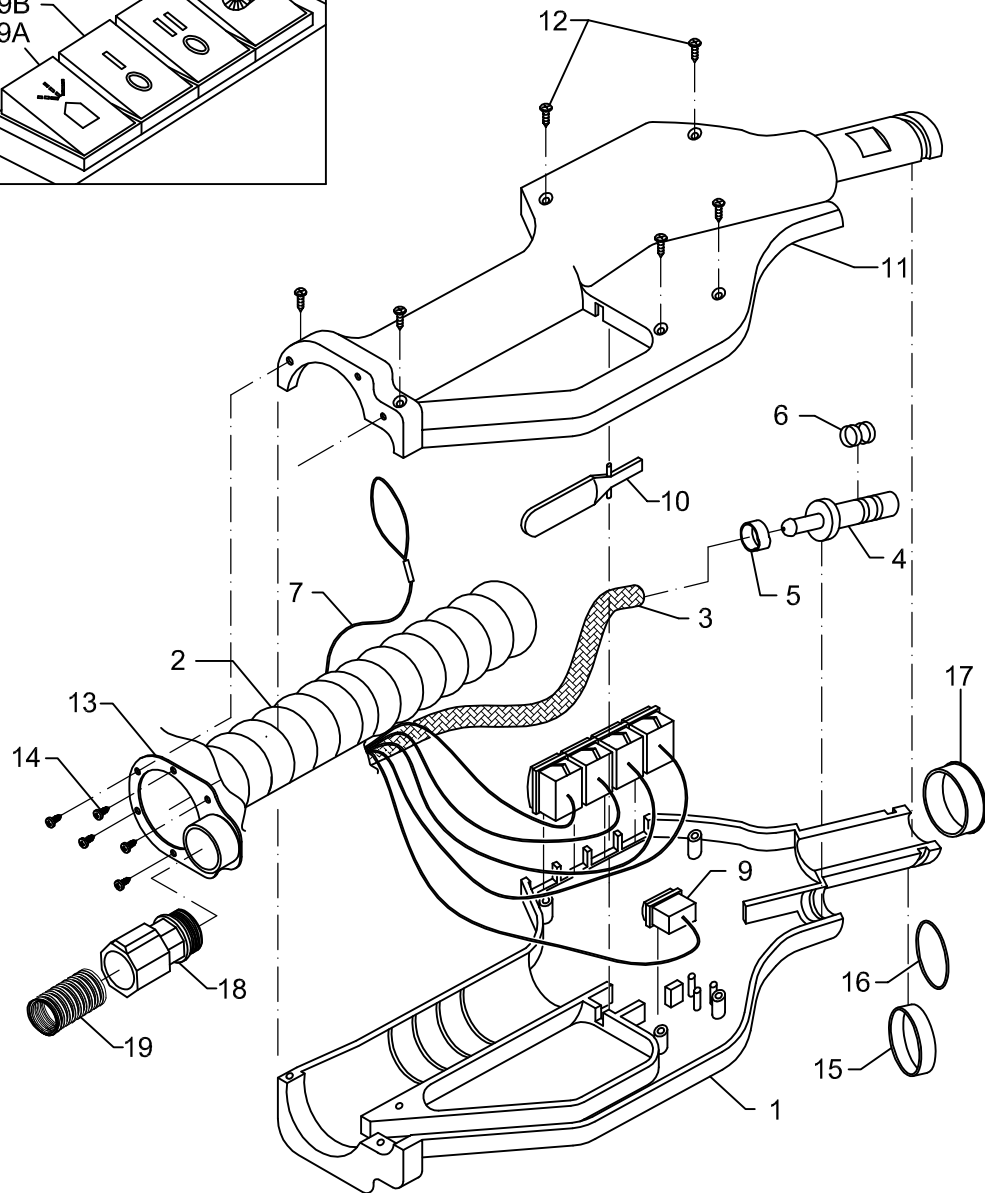
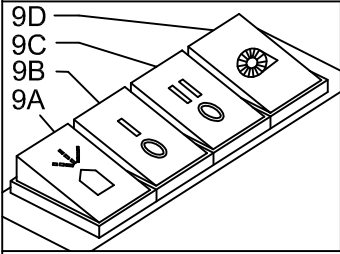
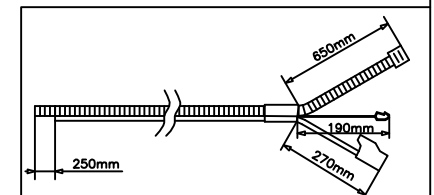
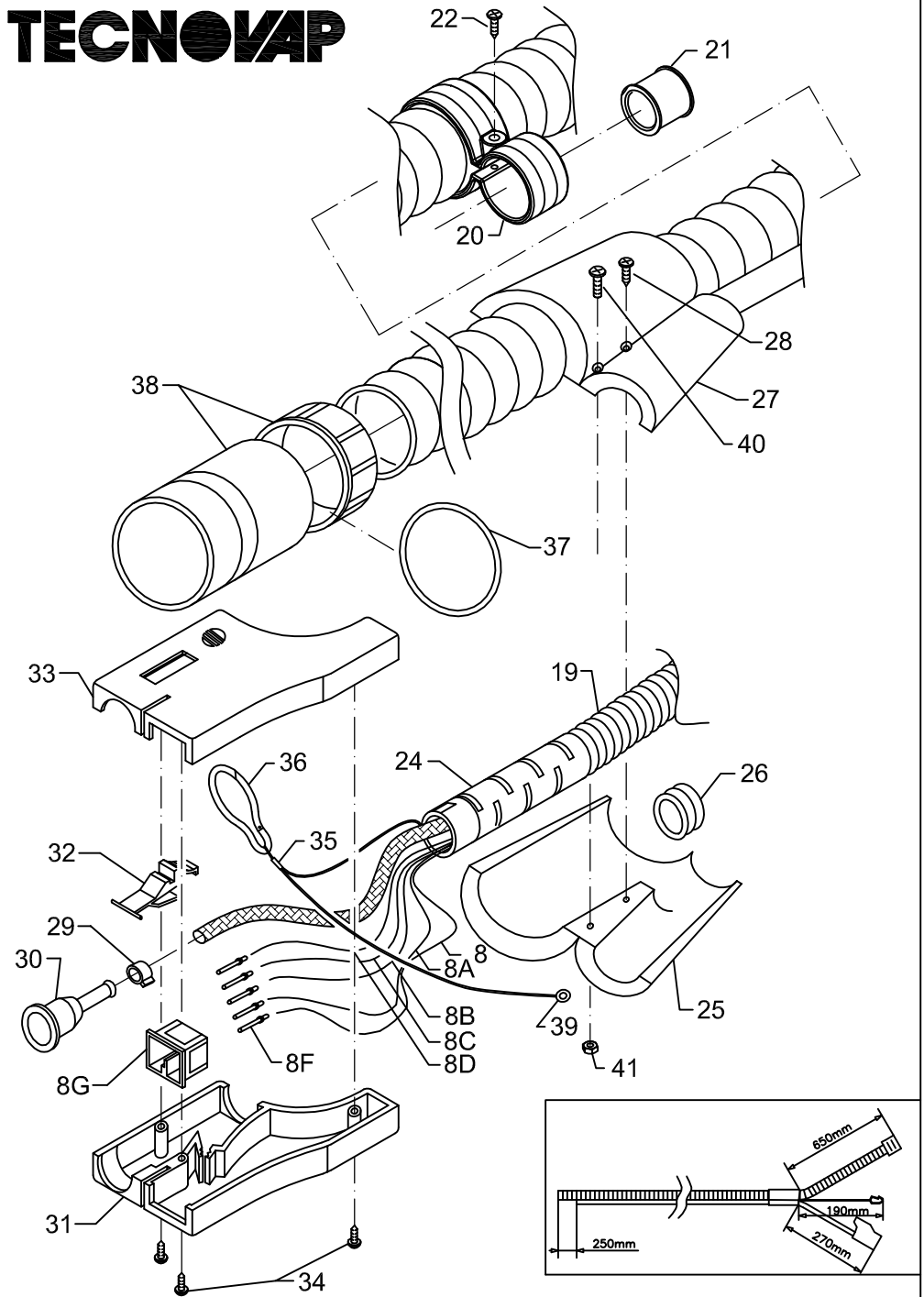


TECNOVAP



TECNOVAP



IMPUGNATURA STAR mt4 7P I4 AT JUNIOR cod.6004017 REV.3 05/05/14

IMPUGNATURA STAR mt4 7P I4 AT JUNIOR cod.6004017 REV.3 05/05/14

Pos.	CODICE	Q.tà	DENOMINAZIONE	DENOMINATION
1	6100002	1	CORPO PIST. STAR SX	LEFT BODY HANDGRIP
2	PG52125	mt.4,00	GUAINA FLEX Øi32 øe37 NERA	EXTERNAL FLEX HOSE
3	PG5303	mt.3,65	TUBO GOMMA CALZATO NERO Ø5X10	SLEEVED STEAM HOSE Ø 5X10
4	61000A6	1	UGELLO STAR ALTA TEMPERATURA L.46 Ø 9,5	ROUND MALE NOZZLE
5	PG5209	1	FASCETTA STRIK MONO.9 -11	SINGLE EAR CLAMP 9-11
6	PG51264	2	OR 6,75x1,78 VITON NERO	O-RING
7	RA3061	1	FUNE ACCIAIO Ø1.5 ZN 4.25mt	STEEL ROPE Ø1.5 ZN 4.25m
8	PEPE042	mt.3,90	CAVO TEFLON sez0,50(19x0,18)Cu-Sn BIANCO	WHITE WIRING 0,5
8A	PEPE012	mt.3,90	CAVO TEFLON sez0,50(19x0,18)Cu-Sn BLU	BLUE WIRING 0,5
8B	PEPE052	mt.3,90	CAVO TEFLON sez0,50(19x0,18)Cu-Sn NERO	BLACK WIRING 0,5
8C	PEPE022	mt.3,90	CAVO TEFLON sez0,50(19x0,18)Cu-Sn TRASP	TRANSPARENT WIRING 0,5
8D	PEPE032	mt.3,90	CAVO TEFLON sez0,50(19X0,18)Cu-Sn MARRON	WIRING BROWN 0.5
8F	PE2013	5	CONTATTO MASCHIO 10A ILME	CONTACT PIN 10 A (MALE)
9	PE2260	1	INTERRUTTORE A PULSANTE 10A SIC.	SAFETY SWITCH 10A
9A	PE2220	1	INTERR. 6A PULSANTE BIANCO DETERGENTE	DETERGENT SWITCH 6A WHITE
9B	PE223C	1	INTERR. 10 A NERO VAPORE MIN.	SWITCH 10A MINIMUM STEAM
9C	PE223I	1	INTERR. 10 A NERO VAPORE MED.	SWITCH 10A MEDIUM STEAM
9D	PE223A	1	INTERR. 10A ASPIRAZIONE	VACUUM SWITCH 10 A
10	6100003	1	LEVA PER PULSANTE DI EMERGENZA STAR	TRIGGER FOR SWITCH
11	61000F1	1	CORPO PISTOLA STAR DX FRESATO	RIGHT BODY HANDGRIP
12	VI7105	7	VITE RAPID FIX ZN.TC.3,9X16 NERA N/PUNTA	SCREW 3,6X16
13	RA61032	1	PIASTRINA INOX IMP. STAR Ø38 PG13,5	STEEL PLATE
14	VI7048	8	VITE T.C 2,9X9,5 INOX UNI6954 DIN7981	SCREW 2,9X9,5
15	6100004	1	ANELLO FISSAGGIO PISTOLA STAR	RING CLAMP
16	PG53903	1	OR 26,7x1,78 NBR (OR 2106)	O-RING
17	RA61002	1	ANELLO OTTONE RINFORZO PISTOLA STAR	BRASS RING STAR GUN
18	PP00182	1	RACCORDO TUBO CORRUGATO PG13,5 NW14	FITTING PG13,5 NW14
19	PGPG072	mt.3,35	TUBO CORRUGATO PP-MOD.NW 14 ALTA TEMP.	FLEXIBLE HOSE
20	5102104	4	FISSA MANICOTTO NERO X ALTA TEMP	BLACK FIXED SLEEVE
21	PP01182	4	ANELLO PASSATUBO PLASTICA Ø19 L.22.5	PLASTIC RING Ø19 L.22,5
22	VI7105	4	VITE RAPID FIX ZN.TC.3,9X16 NERA N/PUNTA	SCREW 3,6X16
24	1202210	1	MANICOTTO ANTIPIEGA GIALLO	YELLOW FLEXIBLE SLEEVE
25	510209	1	FISSA MANICOTTO NERO DX	RIGHT BODY FIXING SLEEVE
26	PGPG02	MT 0.035	TUBO CORRUGATO PP NW22	WRINKLED TUBE
27	5102093	1	FISSA MANICOTTO NERO SX	LEFT BODY FIXING SLEEVE
28	VI7105	1	VITE RAPID FIX ZN TC 3.9X16	RAPID-FIX SCREW ZN TC 3,9X16
29	PG5231	1	FASCETTA CLIC 9.5-11/5	CLAMP 9.5-11/5
30	12001T	1	UGELLO ROT. FEMMINA OTTONE	ROUND FEMALE NOZZLE
31	120209	1	CORPO SPINA INF. GRANDE	LOWER STEAM PLUG BODY
32	120218	1	PULSANTE PER SPINA NERO	STOPPER
33	120208	1	CORPO SPINA SUP. GRANDE	UPPER STEAM PLUG BODY
34	VI7105	3	VITE RAPID FIX ZN TC 3.9X16	RAPID-FIX SCREW ZN TC 3,9X16
35	PE21523	1	FASC. GIUNZIONE OT/SN 4X6 L1M	CLAMP OT/SN
36	RA35002	1	MOSCHETT. PER IMPUGNATURA	SHACKLE
37	PG53903	1	OR 26.7X1.78 (OR 2106)	O-RING
38	PG5601	1	MANICOT. Ø38-32 TUBOFLEX Ø32	HANDLE Ø38-32 FLEX. HOSE Ø32
39	PE22202	1	OCCHIELLO NON ISOLATO 1,5 mmq Ø4	EYE NOT ISOLATED 1,5 mmq Ø4
40	VI71097	1	VITE TSP TC M3X12 INOX	SCREW M3X12 STAINLESS STEEL
41	VI71452	1	DADO M3 INOX A2 AUTOBL. UNI7473 DIN982	NUT M3 INOX