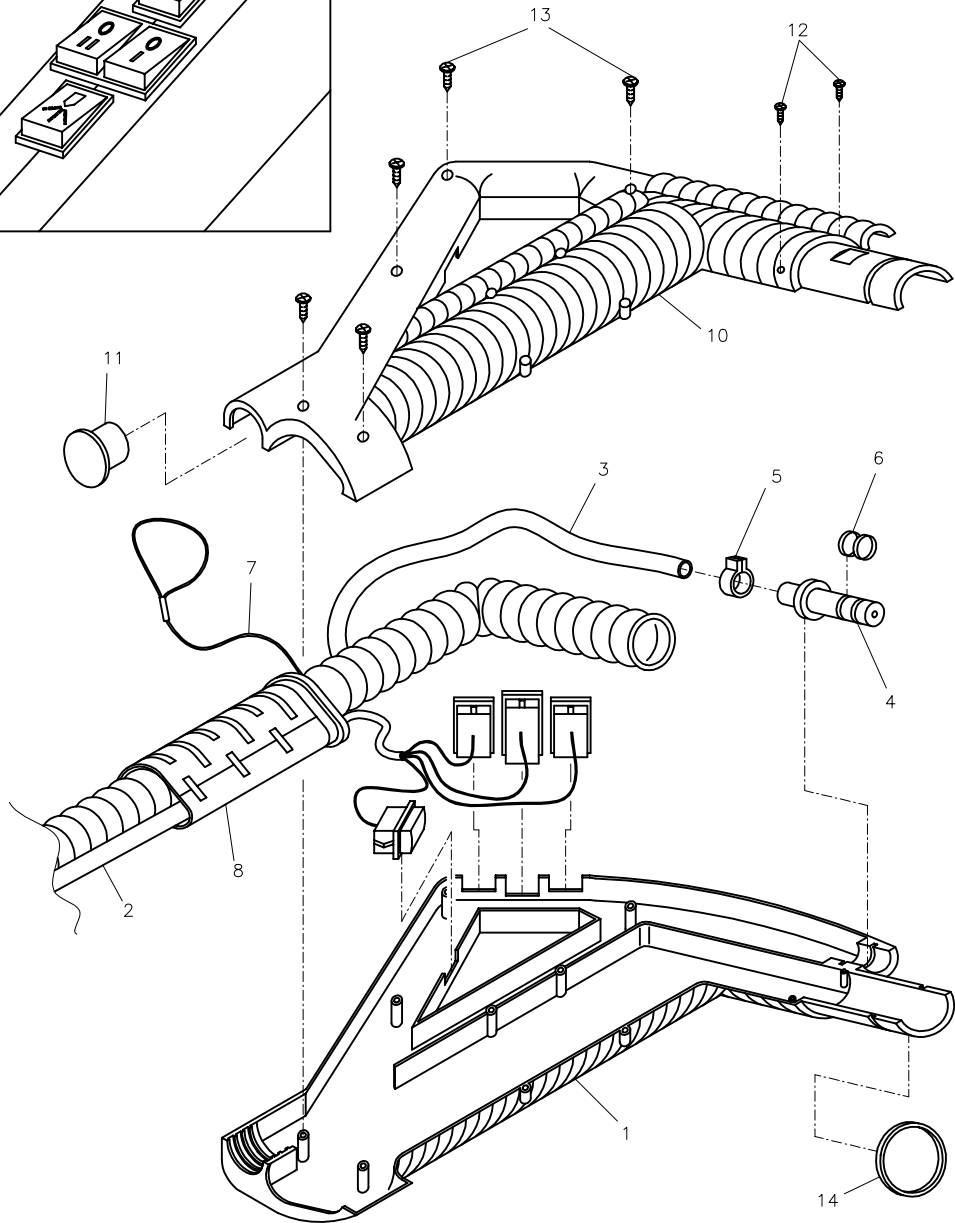
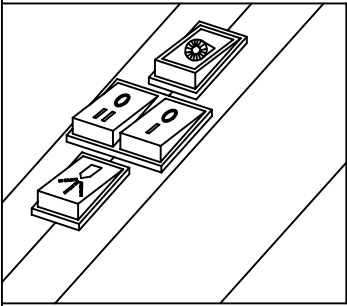
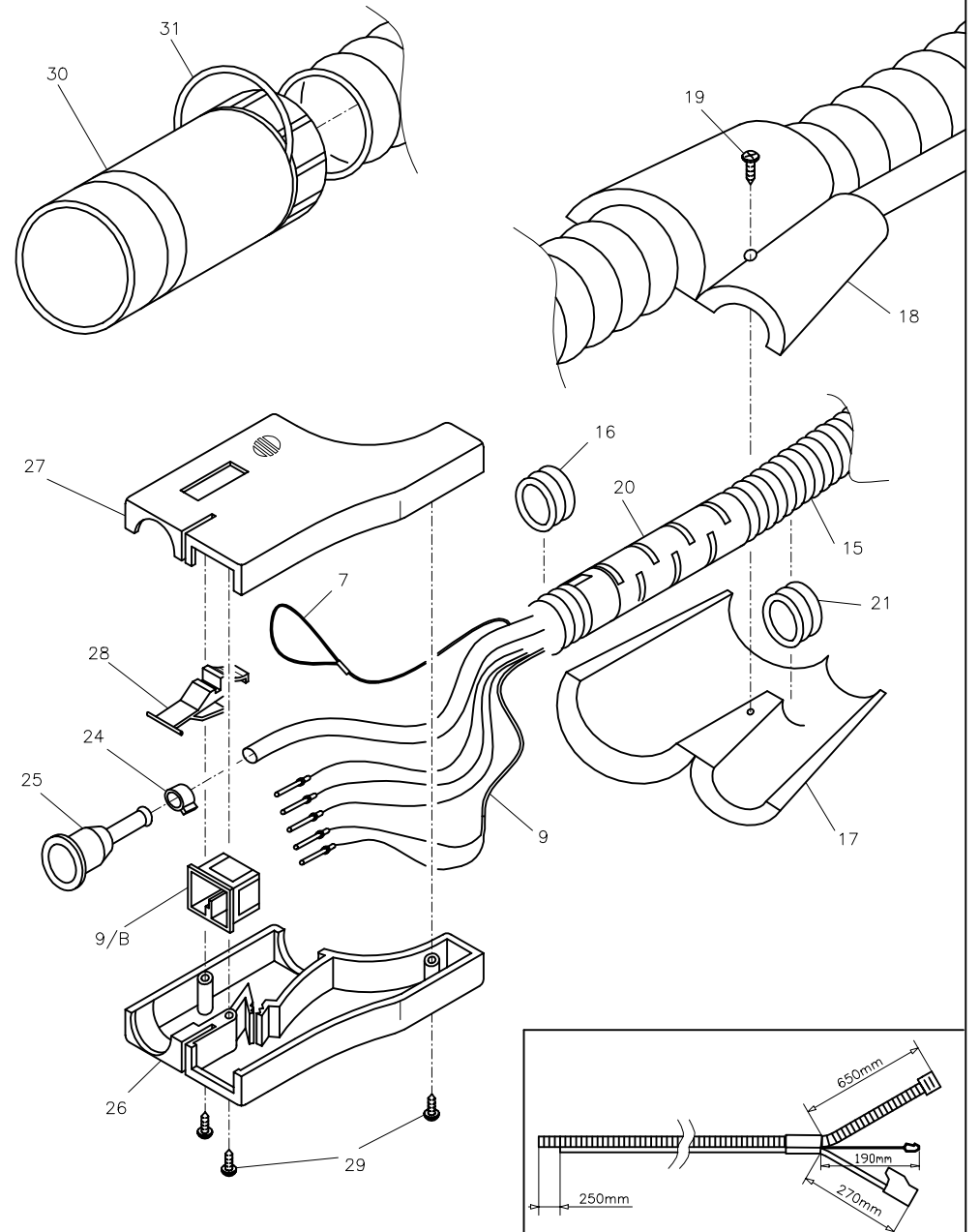


TECNOVAP



TECNOVAP



IMPUGNATURA RADAMES mt.4 7P cod. 51020T7 REV.0 30/03/07

Pos.	CODICE	Q.tà	DENOMINAZIONE	DENOMINATION
1	510205	1	CORPO PISTOLA RADAMES SX	LEFT BODY HANDGRIP
2	PG5212	1	GUAINA FLEX øi30.8x36 mt.4	FLEXIBLE VACUUM HOSE
3	PG5327	mt. 3.67	TUBO GOMMA CALZATO NERO ø4x8	SLEEVED STEAM HOSE Ø4X8
4	510207	1	UGELLO PER PISTOLA RADAMES	ROUND MALE NOZZLE
5	PG5215	1	FASCETTA STRIK MONORECCHIA 8.5-10	SINGLE EAR CLAMP 8,5-10
6	PG5116	2	OR 6.75x1.78 NBR NERO	O-RING 6.75x1.78 NBR BLACK
7	RA3061	1	FUNE D'ACCIAIO ø1.5 ZN. mt. 4.25	STEEL ROPE Ø1.5 ZN 4.25mt
8	510202	1	MANICOTTO ANTIPIEGA GIALLO RADAMES	YELLOW FLEXIBLE SLEEVE
9	PEPE50	1	CAVO sez. 5x0.35 4I (ASP/0-I/0-II/DET/SIC)	WIRING 5x0.35 4 SWITCHES
9/B	PE2178	1	FRUTTO SPINA 7P+T	PLUG CONNECTOR 7P+T (FEMALE)
10	510204	1	CORPO PISTOLA RADAMES DX	RIGHT BODY RADAMES HANDGRIP
11	PP00025	1	TAPPO COPRIFORO PLASTICA ø23/25 H13	PLASTIC COVER
12	VI7048	2	VITE TC 2.9x9.5 INOX	SCREW 2.9x9.5
13	VI7105	9	VITE RAPID FIX TC 3.9x16 NERA	RAPID-FIX SCREW ZN TC 3.9x16
14	PG5123	1	OR 29.82x2.62 SILICONE ROSSO	OR 29.82x2.62 SILICONE ROSSO
15	PGPG07	mt. 0.22	TUBO CORRUGATO PP MOD. NW 17	TUBO CORRUGATO PP NW17
16	PGPG02	mt. 0.035	TUBO CORRUGATO PP MOD. NW 22	TUBO CORRUGATO PP NW22
17	510209	1	FISSA MANICOTTO NERO DX	RIGHT BODY FIXING SLEEVE
18	5102093	1	FISSA MANICOTTO NERO SX	LEFT BODY FIXING SLEEVE
19	VI7105	1	VITE RAPID FIX ZN TC 3.9x16 NERA	RAPID-FIX SCREW ZN TC 3.9x16
20	120216	1	MANICOTTO ANTIPIEGA GIALLO JULY	YELLOW FLEXIBLE SLEEVE
21	PGPG02	mt. 0.035	TUBO CORRUGATO PP MOD. NW 22	TUBO CORRUGATO PP NW22
24	PG5231	1	FASCETTA CLIC 9.5-11/5	CLAMP 9.5-11/5
25	12001T	1	UGELLO ROTONDO FEMMINA OTTONE	ROUND FEMALE BRASS NOZZLE
26	120209	1	CORPO SPINA INFERIORE GRANDE	LOWER STEAM PLUG BODY
27	120208	1	CORPO SPINA SUPERIORE GRANDE	UPPER STEAM PLUG BODY
28	120218	1	PULSANTE PER SPINA NERO	STOPPER FOR STEAM PLUG
29	VI7105	3	VITE RAPID FIX TC 3.9x16 NERA	RAPID FIX SCREW 3.9x16
30	PG5601	1	MANICOTTO ø38-32 TUBOFLEX ø32	HANDLE ø38-32 FLEX. HOSE ø32
31	PG53903	1	OR 26.7x1.78 NBR	O-RING 26.7x1.78 NBR