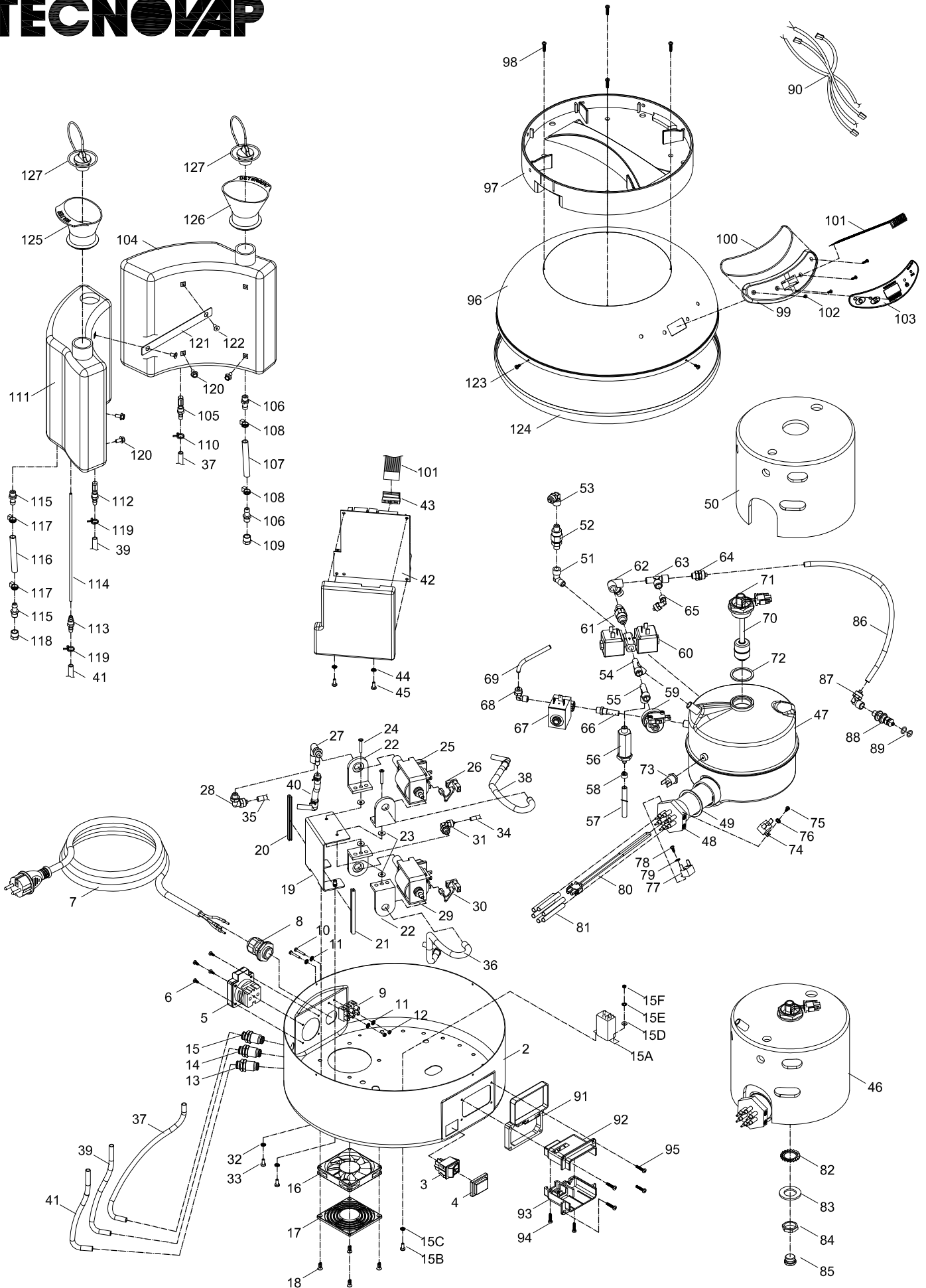
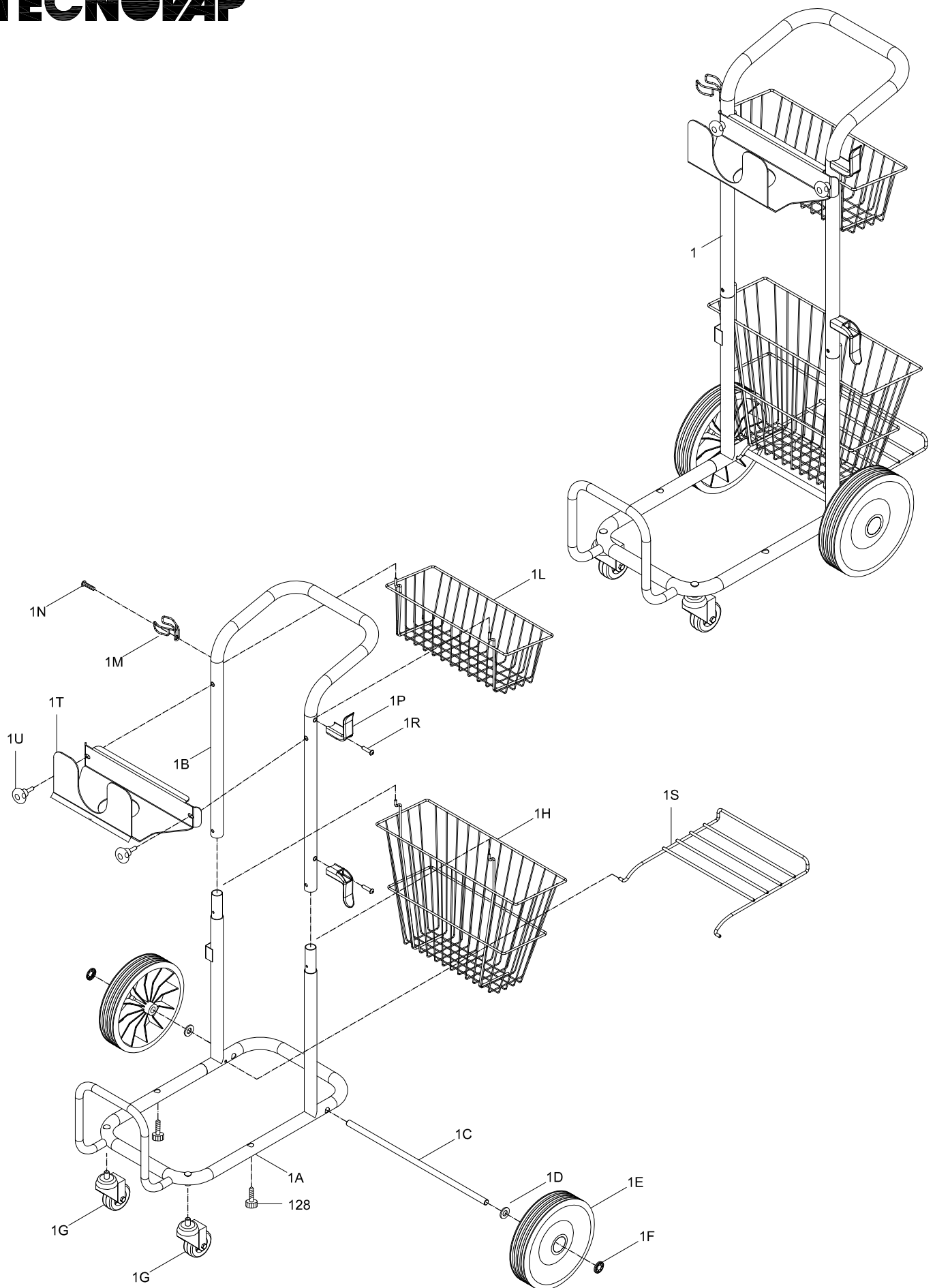


TECNOVAP



TECNOVAP



CARRELLO ARENA STANDARD
cod. CR4002V1
U.T. 19/02/2013 Rev. 0

CARMEN PLUS INOX L.4 3600W 230V H2O cod. PW3006I REV.0 22/09/16

Pos.	CODICE	Q.tà	DENOMINAZIONE	DENOMINATION
1	CR4002V1	1	CARRELLO ARENA STANDARD	TROLLEY
1A	CR4002A	1	CARRELLO ARENA (LATO RUOTE)	TROLLEY - BASE
1B	CR4002B	1	CARRELLO ARENA (MANIGLIONE)	TROLLEY - HANDLEBAR
1C	CR4002C	1	PERNO RUOTE CARRELLO ARENA	WHEEL AXLE
1D	VI73003	2	RONDELLA GREMBIULINA 12X24	WASHER 12x24
1E	PG5416	2	RUOTA POSTERIORE Ø200 STEAM TECH	REAR WHEEL ø200
1F	PG5245	2	COLLARE ELASTICO FERMO RUOTA	WHEEL LOCK
1G	PG5404	2	RUOTA Ø60 10MAX15 GIREVOLE COL. GRIGIO	WHEEL ø60 M10x15 - SWIVEL
1H	CR8000	1	CESTELLO 400X260X150	BASKET 400X260X150
1L	CR4002E	1	CESTELLO 345X140X110	BASKET 345X140X110
1M	RA35R13	1	MOLLA SAGOMATA + RONDELLA	SPRING SHAPED
1N	VI71216	1	VITE M4x10	SCREW
1P	PP00013	2	MEZZA MANIGLIA AVVOLGICAVO	REEL HANDLE HALF
1R	VI81004	2	VITE TBEI M6X25	SCREW
1S	CR4002F	1	GRIGLIA PER CARRELLO ARENA CROMATA	CART CHROME GRILL FOR ARENA
1T	CA40012	1	STAFFA AVVOLGI TUBI/CAVI CARRELLO ARENA	WINDINGS BRACKET PIPE / CABLE
1U	PG5032	2	VOLANTINO TMP/30 - M6x20	HANDWHEEL SCREW M6x20
2	CAPOI1F	1	SOTTOBASE CARMEN PLUS INOX FORATA	BASE INOX DRILLED
3	PE227R	1	INTERRUTTORE 16A NERO RETE	POWER SWITCH 16A
4	PG5021	1	CAPPUCCIO QUADRATO GRANDE	SWITCH PROTECTION
5	PE2133	1	PRESA 10-16A 250V SCHUKO	SOCKET 10-16A 250V SCHUKO
6	VI7130	4	VITE AUTOFIL NIC TC TC 3,5X9,5	SCREW 3,5X9,5
7	PE25308	1	CAVO SEZ. 3x2.5 M8 NEOPRENE SCHUKO	POWER CORD 3X2,5 8m NEOPRENE
8	PE2361	1	PRESSACAVO PLASTICO PG16	PLASTIC CABLEPRESS PG16
9	PE2015	0,25	MORSETTIERA MAMMUTH ø4 mm2	POWER CORD CONNECTOR ø4 mm2
10	VI7154	2	VITE ZN TC M3x20	SCREW ZN M3X20
11	VI7319	4	RONDELLA DENTELLATA M3	LOCK WASHER M3
12	VI7211	2	DADO M3	NUT M3
13	RA33R12	1	PASSALAMIERA ROSSO M16XL.38 X TUBO ø8	RED FITTING BULKHEAD
14	RA33B12	1	PASSALAMIERA BLU M16XL.38 X TUBO ø8	BLUE FITTING BULKHEAD
15	RA33G12	1	PASSALAMIERA GIALLO M16XL.38 X TUBO ø8	YELLOW FITTING BULKHEAD
15A	PE2022	1	RELAY DI POTENZA 12A 2 CONTATTI 230V	RELAY POWER 12A 230V 2 CONTACTS
15B	VI71473	2	VITE TC TC M3x10 INOX UNI7687 DIN7985	SCREW M3x10
15C	VI7319	2	RONDELLA DENTELLATA M3 ZN	LOCK WASHER M3
15D	VI7332	2	RONDELLA PIANA M3 ZN	WASHER M3
15E	VI7319	2	RONDELLA DENTELLATA M3 ZN	LOCK WASHER M3
15F	VI7211	2	DADO M3 ZN UNI5588 ISO4032 UNI EN 24032	NUT M3
16	PE40006	1	VENTOLA RAFFREDDAMENTO 80x80x15 12V CC	COOLING FAN 80X80X15
17	PE40016	1	GRIGLIA PROTEZIONE x VENTOLA 80x80 PLA	PROTECTION GRILLE FOR FAN
18	VI71622	4	VITE TSP TC 5x12 ZN x PLASTICA	SCREW ZN 5x12
19	LMP1000	1	STAFFA SUPPORTO POMPE	PUMP SUPPORT BRACKET
20	PG00083	mt. 0,09	PROFILO PER SPIGOLI 8,5x5,5	PROFILE FOR EDGES 8,5x5,5
21	PG00083	mt. 0,09	PROFILO PER SPIGOLI 8,5x5,5	PROFILE FOR EDGES 8,5x5,5
22	PE240A	4	SUPPORTO AMMORTIZZANTE ET900 - 90°	SUPPORT CUSHIONING
23	VI7134	4	RONDELLA GREMBIALINA M4 (4,3x12) ZN	WASHER M4 ZN
24	VI7020	2	RIVETTO ALLUMINIO 4x25	RIVET ALUMINUM 4x25
25	PE2404	1	POMPA ET500	PUMP ET500
26	PE2408	1	TERMOPROTETTORE 100°C	THERMAL PROTECTOR 100°C
27	PE24011	1	DEAREATORE A GOMITO 90° PER POMPA	ELBOW BLEEDER VALVE - PUMP
28	RA31050	1	RACCORDO GOMITO 6X8-1/8M GIRE. A CALZ	ELBOW VALVE 6X8 1/8" M SWIVEL
29	PE2404	1	POMPA ET500	PUMP ET500
30	PE2408	1	TERMOPROTETTORE 100°C	THERMAL PROTECTOR 100°C
31	RA33013	1	RACCORDO GOMITO 6x4 - 1/8" M GIREVOLE OR	STRAIGHT VALVE 6X4 - 1/8" M
32	VI73184	2	RONDELLA DENTELLATA EST M4 INOX	LOCK WASHER M4
33	VI71216	2	VITE M4x10	SCREW
34	RA3209	mt. 0,24	TUBO TEFLON ø6x4	TEFLON TUBE ø 6X4 L.240
35	RA3201	mt. 0,18	TUBO TEFLON ø6x8	TEFLON TUBE ø 6X8 L.180
36	TDP000G	1	TUBO DETERGENTE CARMEN	CLEANER PIPE
37	RA33G02	mt. 0,335	TUBO POLIURETANO GIALLO ø6X8	YELLOW HOSE ø6X8
38	TDP000B	1	TUBO ACQUA CARMEN	WATER PIPE
39	RA33008	mt. 0,20	TUBO POLIURETANO BLU ø6X8	BLEUE HOSE ø6X8
40	TDP000R	1	TUBO DEAREATORE CARMEN	BLEEDING VESSEL PIPE
41	RA33R02	mt. 0,20	TUBO POLIURETANO ROSSO ø6X8	RED HOSE ø6X8
42	PE64160	1	SCHEDA CARMEN PLUS UNITA' 6bar COMPLETA	ELECTRONIC BOARD
43	PE64110	1	ADATTATORE CONNETT FLAT SCHEDA TASTIERA	ADAPTER CONNECTOR FLA KEYBOARD SHEET
44	VI7318	2	RONDELLA DENTELLATA M4	LOCK WASHER M4
45	VI71216	2	VITE M4x10	SCREW
46	09WP060	1	CALDAIA COMPLETA	COMPLETE BOILER
47	99WP000	1	CALDAIA CON RESISTENZA	BOILER W/ HEATING ELEMENT
48	PE25226	1	RESISTENZA 3600W 230V	HEATING ELEMENT 3600W 230V
49	PG5139	1	GUARNIZIONE ALLUMINIO ø42x50x1.5	ALUMINUM GASKET ø42X50X1,5
50	IS40038	1	ISOLANTE PROTEZIONE PER CALDAIA 4L	BOILER INSULATION
51	RA3147	1	RACCORDO GOMITO 1/8" F - 1/8" M	ELBOW JOINT 1/8" F - 1/8" M
52	RA3408	1	VALVOLA NON RITORNO MOLLA DURA	NON RETURN VALVE - HEAVY SPRING

53	RA3167	1	RACCORDO GOMITO 6x8 - 1/8"F	ELBOW JOINT 6X8 - 1/8"F
54	RA3103	1	RACCORDO A T 1/8"M-1/8"M-1/8"F	T-CONNECTION 1/8"M-1/8"M-1/8"F
55	RA31035	1	RACCORDO A T 1/8"F-1/8"F-1/8"M	T-CONNECTION 1/8"F-1/8"F-1/8"M
56	RA3411	1	VALVOLA 1/8"M 7.5 bar	SAFETY VALVE 1/8"M 7,5 bar
57	RA3201	mt. 0,12	TUBO TEFLON ø6x8	TEFLON TUBE ø6X8
58	PG5203	1	FASCETTA STRIK CLX 090-1 7-9	CLAMP SNAP-ON 090-1 7-9
59	PE2411	1	PRESSOSTATO 16A 250V 4-9 bar	PRESSURE SWITCH 16A 250V 4-9 bar
60	PE2337	1	ELETTROVALVOLA 1x1.5 1x2.5 230V 50Hz	SOLENOID VALVE 1x1.5 1x2.5 230V 50Hz
61	RA3409	1	VALVOLA NON RITORNO MOLLA DEBOLE	NON RETURN VALVE - LIGHT SPRING
62	RA30254	1	RACCORDO MISCELATORE 1/8"F x 1/8"F x 6x4	Y - VALVE 1/8"F X 1/8"F X 6X4
63	RA31035	1	RACCORDO A T 1/8"F-1/8"F-1/8"M	T-CONNECTION 1/8"F-1/8"F-1/8"M
64	RA3183	1	RACCORDO DIRITTO 6x8 1/8"M	STRAIGHT VALVE 6X8 1/8"M
65	RA3104	1	RACCORDO GOMITO 6x4 1/8"M	ELBOW JOINT 6X4 1/8"M
66	RO52K0A	1	RACCORDO DIRITTO 1/8"M - 1/8"M ANTICALC	STRAIGHT 1/8"M - 1/8"M
67	PE2329	1	ELETTROV. 6611 + BOBINA B6 230V	SOLENOID VALVE
68	RA3104	1	RACCORDO GOMITO 6x4 1/8"M	ELBOW JOINT 6X4 1/8"M
69	RA3209	mt. 0,10	TUBO TEFLON ø6x4	TEFLON TUBE ø6X4
70	RA33217	1	TAPPO OTTONE C/SONDA C.L.mm104+SIC.12bar	BRASS CAP LVL CONT. FLOAT L. 1
71	RA34064	1	VALVOLA SIC. 97/23CE > 50 12bar 1/4"M	SAFETY VALVE - 12 bar 1/4" MALE
72	PG51033	1	GUARNIZIONE TEFLON ø33.2x40x2	TEFLON GASKET ø 33,2X40X2
73	PE2303	1	TERMOSTATO 165°C RIPRISTINO	RESET THERMOSTAT
74	PE2344	1	TERMOSTATO 275°C RIPRISTINO	THERMOSTAT 275°C
75	VI7130	1	VITE AUTOFIL. TC TC ZN 3,5X9,5	SCREW 3,5X9,5
76	VI7318	1	RONDELLA DENTELLATA ZN ESTERNA ø4	LOCK WASHER ø4
77	PE23447	1	TERMOSTATO 235°C R.A. 16A	THERMOSTAT 235°C
78	VI7130	1	VITE AUTOFIL. TC TC ZN 3,5X9,5	SCREW 3,5X9,5
79	VI7318	1	RONDELLA DENTELLATA ZN ESTERNA ø4	LOCK WASHER ø4
80	SH20511	1	SONDA TEMPERATURA NTC 100k L.200	TEMPERATURE SENSOR NTC 100k L.200
81	PG53827	mt. 0,24	CALZA VETRO SILICONE ROSSO øi 6	RED SILICON GLASS SHIELD øi 6
82	VI7335	1	RONDELLA DENTELLATA INOX M20	LOCK WASHER M20 - ST. STEEL
83	VI7336	1	RONDELLA PIANA INOX M20	WASHER M20 - ST. STEEL
84	VI7203	1	DADO CH.24xL.6x1/2" OTTONE	BRASS NUT 24XL.6X1/2"
85	RA3163	1	TAPPO DRENAGGIO 3/8"M	BOILER DRAIN CAP 3/8"M
86	RA3201	mt. 0,36	TUBO TEFLON ø6x8	TEFLON TUBE ø6X8 L.300
87	RA3167	1	RACCORDO GOMITO 6x8 - 1/8"F	ELBOW VALVE 6X8 - 1/8"F
88	12004T	1	UGELLO ROTONDO MASCHIO 1/8"M	ROUND MALE NOZZLE 1/8"M
89	PG5142	2	OR 9.25x1.78 VITON NERO	O-RING 9,25X1,78 VITON
90	PEP0011	1	CABLAGGIO CARMEN PLUS 2,4 - 3,6kW 230V 1~	COMPL. WIRING 2,4 - 3,6kW 230V 1~
91	PP0008	1	SPORTELO COPRI PRESA COMPLETO	STEAM SOCKET FLAP COVER
92	120101	1	CORPO PRESA SUPERIORE	TOP SOCKET COVER
93	120102	1	CORPO PRESA INFERIORE	BOTTOM SOCKET COVER
94	VI7105	2	VITE RAPID FIX TC 3.9x16 NERA	SCREW 3,9X16 RAPID-FIX
95	VI7341	4	VITE AUTOFILETTANTE TC 3.9x19	SCREW 3,9X19
96	CAP2I2F	1	BASE CARMEN PLUS INOX PANNELLO FORATA	UPPER BODY COVER - ST. STEEL
97	PG50443	1	DISCO SOTTOBASE ASPIRATORE CON FORI	ROUND BASE WET VAC
98	VI7105	4	VITE RAPID FIX TC 3.9x16 NERA	SCREW 3,9X16 RAPID-FIX
99	PP10214	1	PANNELLO CARMEN PLUS C/DISPLAY	PANEL CARMEN PLUS WITH DISPLAY
100	PG10215	mt. 0,35	GUARNIZIONE SILICONE ESPANSO BIANCO 2mm	SEAL SILICON FOAM WHITE 2mm
101	PE64R95	1	FLAT + DISPLAY ROSSO	FLAT + DISPLAY RED
102	VI7164	4	VITE AUTOFIL. TSP TC 2,9x13	SCREW 2,9x13
103	PE10204	1	TASTIERA MEMBRANA	MEMBRANE KEYBOARD
104	SB230F2	1	SERBATOIO CARMEN PLUS DETERGENTE FORATO	DETERGENT TANK
105	RA3140	1	PORTAGOMMA CON FILTRO IN OTTONE	TUBE COUPLER W/ FILTER
106	PP24012	2	PORTAGOMMA PLASTICA PG9 1/8"M C/OR	TUBE COUPLER 7X1/8"M
107	PG56104	mt. 0,15	TUBO PVC TRASPARENTE 7x10	PVC TRANSPARENT TUBE 7x10
108	PG5213	2	FASCETTA NEUTRA 120X4,8	CLAMP
109	RA31684	1	TAPPO 1/8"G f CON SEDE OR	BRASS CAP FOR DRAIN TUBES
110	PG5247	1	FASCETTA BIFILIARE 9.8-10.4	CLAMP
111	SB231F2V1	1	SERBATOIO CARMEN PLUS ACQUA FORATO	WATER TANK
112	RA3140	1	PORTAGOMMA CON FILTRO IN OTTONE	TUBE COUPLER W/ FILTER
113	RA31407	1	PORTAGOMMA PG7 PER FILTRO ø8 x L.17	TUBE COUPLER PG7X1/8"M
114	PG53611	1	TUBO OTTONE 4x3 L.230	BRASS TUBE 4X3 L.230
115	PP24012	2	PORTAGOMMA PLASTICA PG9 1/8"M C/OR	TUBE COUPLER PG9 1/8"M
116	PG56104	mt. 0,15	TUBO PVC TRASPARENTE 7x10	PVC TRANSPARENT TUBE 7x10
117	PG5213	2	FASCETTA NEUTRA 120X4,8	CLAMP
118	RA31684	1	TAPPO 1/8"G f CON SEDE OR	BRASS CAP FOR DRAIN TUBES
119	PG5247	2	FASCETTA BIFILIARE 9.8-10.4	CLAMP
120	VI7041	4	VITE M5x10	SCREW M5X10
121	RA3099	1	STAFFA UNIONE SERBATOI	SUPPORT BRACE WATER / DET. TANKS
122	VI70002	2	VITE M5x10 TSP BRUGOLA	SCREW M5X10
123	VI7101	4	VITE TORX 3.5x9.5	SCREW 3,5X9,5
124	PG5325	1	PARABORDO GOMMA L.96	RUBBER PROTECTIVE SEAL L.96
125	PG5069B	1	IMBUTO FILETTATO IN GOMMA BLU	THREADED FUNNEL - BLUE
126	PG5069G	1	IMBUTO FILETTATO IN GOMMA GIALLO	THREADED FUNNEL - YELLOW
127	RA3324	2	TAPPO PER IMBUTO	CAP FOR FUNNEL
128	PG5060	2	VOLANTINO TMP V1/30/V - M6x40	HANDWHEEL SCREW M6x40