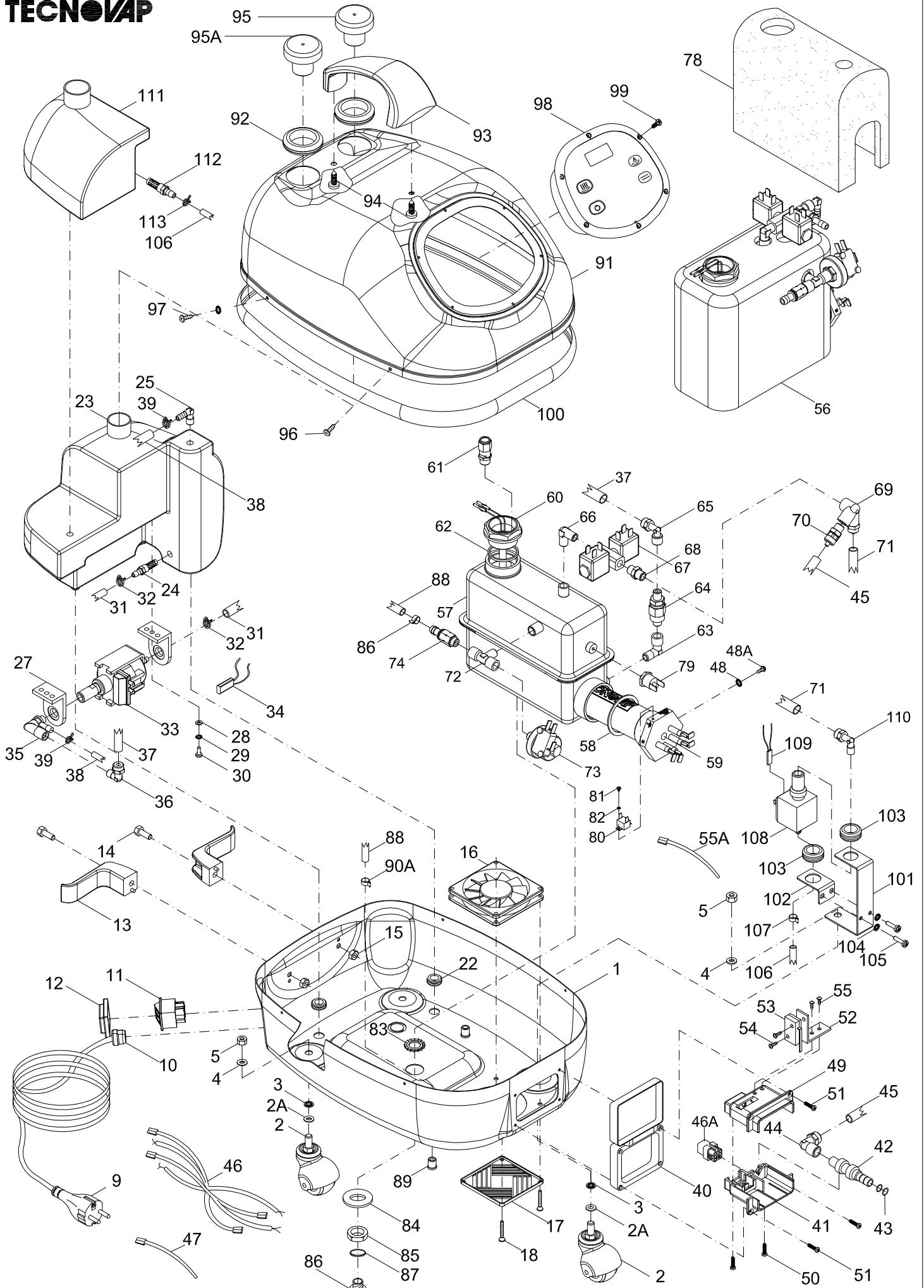


TECNOVAP



EVO 304 24/7 2400W 230V 50Hz 8bar DET cod. ED3208I REV.0 08/07/16

EVO 304 24/7 2400W 230V 50Hz 8bar cod. ED3208I REV.0 08/07/16

Pos.	CODICE	Q.tà	DENOMINAZIONE	DENOMINATION
1	CA30111	1	SOTTOBASE CH. HILL EVO INOX	CHASSIS
2	PG5410	4	RUOTA Ø 40 8MAX15 PARAFANGO	WHEEL Ø 40
2A	VI7329	4	RONDELLA PIANA ZN M8	WASCEHR ZN M8
3	VI73069	4	RONDELLA DENTELLATA INTERNA ZN M8	LOCK WASHER ZN M8
4	VI7305	4	ROND. GREMB. ZN Ø8X24	WASHER Ø 8x24
5	VI7342	4	DADO Ø 8 ZN	NUT ZN Ø 8
9	PE20883	1	CAVO SEZ.3X1,5 MT5 S/SCHUKO FAST.6,3X0,8	POWER CABLE
10	PR00003	1	PRESSACAVO PLASTICA SR6N3-4 N	CABLE CLAMP
11	PE227R	1	INTERRUTTORE 16A NERO C/LED RETE	BLACK 16A POWER SWITCH
12	PG5021	1	CAPPUCCIO QUADRATO GRANDE	SWITCH PROTECTION
13	010108	2	MEZZAMANIGLIA NERA	CABLE SUPPORT HANDLE
14	VI7118	2	VITE 8.8 M6X16 TE ZN	SCREW ZN M6X16
15	VI7201	2	DADO ZN M6 UNI5588 ISO4032	NUT ZN M6
16	PE40006	1	VENTOLA RAFFREDDAMENTO 80x80x15	COOLING FAN 80X80X15
17	PE40016	1	GRIGLIA PRETEZIONE PER VENTOLA	PROTECTION GRILLE FOR FAN
18	VI71622	4	VITE TSP TC ZN 5X12 PLASTICA	SCREW ZINC 5X12
22	PG25211	2	PASSATUBO Ø17X12X7 BABY24/7	MOUTHPIECE Ø 17X12X7
23	SB30006	1	SERBATOIO ACQUA HILL EVO FORATO	HILL EVO WATER TANK
24	RA3140	1	PORTAGOMMA C/FILTRO IN OTTONE	TUBE COUPLER W/ FILTER
25	RA3037	1	PORTAGOMMA 7 1/8" MASCHIO 90°	ELBOW JOINT 1/8" MALE TO Ø7 mm HOSE BARB
27	PE240A	2	SUPPORTO AMMORTIZZANTE ET500 - 90°	ET500 -90° ANTIVIBRATION SUPPORT
28	VI7314	2	RONDELLA GREMBIULINA ZN 4X12	ZN 4X12 WASHER
29	VI7319	2	RONDELLA DENTELLATA ZN M3	ZN M3 TOOTHED WASHER
30	VI7126	2	VITE TC TC ZN M3X16 UNI6954 DIN7981	M3X16 SCREW
31	PG5327	mt. 0.16	TUBO GOMMA CALZATO NERO Ø4X8	BLACK Ø4x8 HOSE
32	PG5247	2	FASCETTA BIFILIARE 9,8-10,4	CLAMP 9.8 - 10.4
33	PE2404	1	POMPA ET500 P - 1/8" F NBR 230V 50Hz	230V/50Hz ET500 VIBRATION PUMP
34	PE2408	1	TERMOPROTEETTORE 100°C	THERMAL PROTECTOR 100°C
35	PE24011	1	DEAREATORE A GOMITO 90° PER POMPA	ELBOW BLEEDER VALVE - PUMP
36	RA31050	1	RACCORDO GOMITO 6X8-1/8M GIREVOLE A CALZ	ELBOW SWIVEL JOINT 1/8" MALE - Ø6X8
37	RA3201	mt. 0.16	TUBO TEFLON Ø 6X8	TEFLION HOSE Ø6X8
38	PG5365	mt. 0.30	TUBO PVC TRASPARENTE 6X9	PVC TRANSPARENT HOSE Ø6X9
39	PG5247	2	FASCETTA BIFILIARE 9,8-10,4	CLAMP 9.8 - 10.4
40	PP0008	1	SPORTELLO COPRI PRESA COMPLETO	STEAM SOCKET FLAP COVER
41	120102	1	CORPO PRESA INFERIORE	BOTTOM SOCKET COVER
42	12004T	1	UGELLO ROTONDO MASCHIO	MALE NOZZLE
43	PG5142	2	OR 9.25X1.78 VITON NERO	O-RING 9.25X1.78 VITON
44	RA3167	1	RACCORDO GOMITO 6X8-1/8"F	ELBOW VALVE
45	RA3201	mt. 0.19	TUBO TEFLON Ø 6X8	HOSE Ø6X8
46	PEER200	1	CABLAGGIO EVO 24/7 2400W 230V 50Hz	COMP. WIRING EVO 24/7 2400W 230V 50Hz
46A	PE2177	1	FRUTTO PRESA 7P + T 10A 250V (CDF07)	FRUIT INTAKE 7P + T 10A 250V
47	PEHED01	1	CAVO C/DIODO X POMPA DETERG.HILL EVO	CABLE WITH DIODE FOR DETERGENT PUMP
48	VI7318	1	ROND. DENTELLATA Ø4	LOCK WASHER Ø4
48A	VI7130	1	VITE AUT. NICH. TC TC 3.5X9.5	SELF-THREADING SCREW 3,5X9,5
49	120101	1	CORPO PRESA SUPERIORE	TOP SOCKET COVER
50	VI7105	2	VITE RAPID FIX ZN TC 3.9X16	SELF-THREADING SCREW 3,9X16
51	VI7341	4	VITE AUT. ZN NERA 3.9X19	SELF-THREADING SCREW 3,9X19
52	PG5062	1	STAFFA P/MICROINTERRUTT.	SUPPORT MOUNT FOR MICROSWITCH
53	PE2209	1	MICROINTERRUTTORE 16A	MICROSWITCH 16A
54	VI7122	2	VITE AUTOF. NICH. 2.9X16	SELF-THREADING SCREW 2,9X16
55	VI71145	2	VITE AUTOFIL. 2,9x11 TSC TORX UNI6956	SELF-THREADING SCREW 2,9X11
55A	SH20511	1	SONDA TEMPERATURA NTC 100k L.200	TEMPERATURE PROBE NTC 100k L.200
56	09D8231	1	CALDAIA COMPL.H.EVO-24/7 DET 8 bar 230V	COMPLETE BOILER HILL EVO 24/7 DET 8bar 230V
57	9908231	1	CALDAIA C/RES HILL EVO 230V 2400W	BOILER WITH HEATING ELEMENT
58	PG5139	1	GUARNIZIONE ALLUMINIO Ø42x50x1.5	ALUMINUM GASKET
59	PE25237	1	RESISTENZA 1200+1200W 230V	HEATING ELEMENT 1200+1200W 230V
60	RA33217	1	TAPPO OTTONE C/SONDA C.L.mm104+SIC.12bar	BRASS CAP LVL CONT. FLOAT
61	RA34064	1	VALVOLA SIC. 97/23CE > 50 12bar 1/4"M	SAFETY VALVE - 12 bar 1/4" MALE
62	PG51033	1	GUARN. TEFLON Ø33.5X40X2	TEFLON GASKET
63	RA3147	1	RACC. GOMITO 1/8"F-1/8"M	ELBOW JOINT 1/8" FEMALE TO 1/8" MALE
64	RA3408	1	VALVOLA N/RIT MOLLA DURA	NON-RETURN VALVE HARD SPRING
65	RA3167	1	RACC. GOMITO 6X8-1/8"F	ELBOW JOINT 1/8" FEMALE TO Ø6X8
66	RA31476	1	RACCORDO GOMITO 1/8"M-1/8"M	ELBOW JOINT 1/8" MALE TO 1/8"MALE
67	PE2337	1	ELETTROV. 6650 + 2 BOBINA 230V 1x1,5-1x2,5	SOLENOID VALVE
68	RA3187	1	RACCORDO DIRITTO 1/8M X 1/8M F/CONICO	ELBOW JOINT 1/8"MALE - 1/8" MALE
69	RA30254	1	RACCORDO MISC. 1/8"F X 1/8"F 6X4	FITTING MISC. 1/8"F X 1/8"F 6X4
70	RA3183	1	RACCORDO DIRITTO 6X8 - 1/8"M	STRAIGHT FITTING 6X8 - 1/8"M
71	RA3209	mt. 0,13	TUBO TEFLON Ø 6X4	TEFLON HOSE Ø6X4
72	RA3132	1	RACCORDO A T 1/8F X1/8MX1/8F (REV.0)	T JOINT 1/8" F X 1/8"M X 1/8"F
73	PE24166	1	PRESSOSTATO 250V tar 1/8M VDE	PRESSURE GAUGE 16A 250V tar 1/8M VDE
74	RA34016	1	VALVOLA 1/8"M 10,2bar PGØ9 CATEGORIA I	SECURITY VALVE 1/8" MALE - 10,2bar
78	IS4006	1	ISOLANTE PROTEZIONE CALDAIA 1.5 lt GAL	BOILER PROTECTION/INSULATION

79	PE2334	1	TERMOSTATO 175°C RIPRISTINO	RESET THERMOSTAT 175 ° C
80	PE23447	1	TERMOSTATO 235°C R.A. 16A	THERMOSTAT 235°C - AUTOMATIC RESET
81	VI7130	1	VITE AUTOFIL. NIC TC TC 3,5X9,5	SELF-THREADING SCREW 3.5 X 9.5
82	VI7318	1	RONDELLA DENTELLATA ZN ESTERNA Ø4	ZN M4 TOOTHED WASHER
83	VI7335	1	ROND. DENT. INOX Ø20	LOCK WASHER Ø20
84	VI7336	1	ROND. PIANA INOX Ø20	WASHER Ø20
85	VI7203	1	DADO CH.24XL.6X1/2 GAS	NUT 24XL.6X1/2 GAS
86	RA3163	1	TAPPO DRENAGGIO 3/8" M	DRAIN CAP
87	PG51164	1	OR 2056 14.00X1.78 NBR NERO	O-RING 14.00X1.78 NBR
88	PG53002	mt. 0.19	TUBO SILICONE TRASP. 6X9	SILICONE TRANSPARENT HOSE Ø6X9
89	VI7053	1	INSERTO FILETTATO M6 L.20 ALL	M6 THREADED INSERT L.20 ALL
90	PG5215	1	FASCETTA STRIK MONO.8,5 -10	CLAMP 8,5 - 10
90A	PG5209	1	FASCETTA STRIK MONO.9 -11	CLAMP 9 - 11
91	CA20D11	1	BASE CH. HILL EVO INOX/FORO DETERG.	HILL EVO UPPER BODY INOX -WITH DETERGENT HOLE
92	PG53121	2	PASSATUBO EVO Ø50xØ40x29	EVO MOUTHPIECE Ø 50X40X29
93	PP12611	1	MANIGLIA CENTRALE NERA HILL EVO	HILL EVO CENTRAL BLACK HANDLE
94	VI7167	2	VITE AUTOFIL. TC ZN 6,3X13	SELF-THREADING SCREW 6.3 X 13
95	RA3313G	1	TAPPO SERBATOIO GIALLO	WATERTANK CAP YELLOW
95A	RA3313B	1	TAPPO SERBATOIO BLU	WATERTANK CAP BLUE
96	VI7101	2	VITE TORX ACCIAIO 3,5X9,5-7X3/8	SCREW 3,5X9,5-7X3/8
97	VI7103	2	VITE KF NICH. 3.5X6.5 -6X1/4	SELF-THREADING SCREW 3.5X6.5 -6X1/4
98	PEEBR83	1	INTERFACCIA ELETTRONICA EVO COMPL.	ELETTRONIC INTERFACE
99	VI71145	6	VITE AUTOFIL. 2,9x11 TSC TORX UNI6956	SELF-THREADING SCREW. 2.9 x11 TSC TORX UNI6956
100	PG5325	1	PARABORDO IN GOMMA L96	RUBBER PROTECTIVE SEAL
101	CA24041	1	STAFFA SUPPORTO POMPA E300	E300 SUPPORT MOUNT
102	CA24051	1	CONTRO STAFFA SUPPORTO POMPA E300	E300 LOWER SUPPOR MOUNT
103	PG53048	2	PASSATUBO RB50 Ø15.5 NERO	MOUTHPIECE Ø 15.5
104	VI7318	2	RONDELLA DENTELLATA ZN ESTERNA Ø4	ZN M4 TOOTHED WASHER
105	VI71615	2	VITE TC UNI 7687 DIN 7985 ZN M4X12	M4X12 SCREW
106	PG5327	mt. 0.45	TUBO GOMMA CALZATO NERO Ø4X8	BLACK Ø4x8 HOSE
107	PG5215	1	FASCETTA STRIK MONO.8,5 -10	CLAMP
108	PE24041	1	POMPA E300 - 1/8" F 230V 50Hz	DETERGENT PUMP
109	PE24081	1	TERMOPROTETTORE 100°C X POMPA E300	E300 - THERMAL PROTECTOR 100°C
110	RA3104	1	RACCORDO GOMITO 6X4 - 1/8" M	ELBOW JOINT 1/8" MALE - Ø4X6
111	SB07501	1	SERBATOIO DETERGENTE HILL EVO FORATO	DETERGENT TANK
112	RA3140	1	PORTAGOMMA C/FILTRO IN OTTONE	TUBE COUPLER W/ FILTER
113	PG5247	1	FASCETTA BIFILIARE 9,8-10,4	CLAMP 9.8 - 10.4