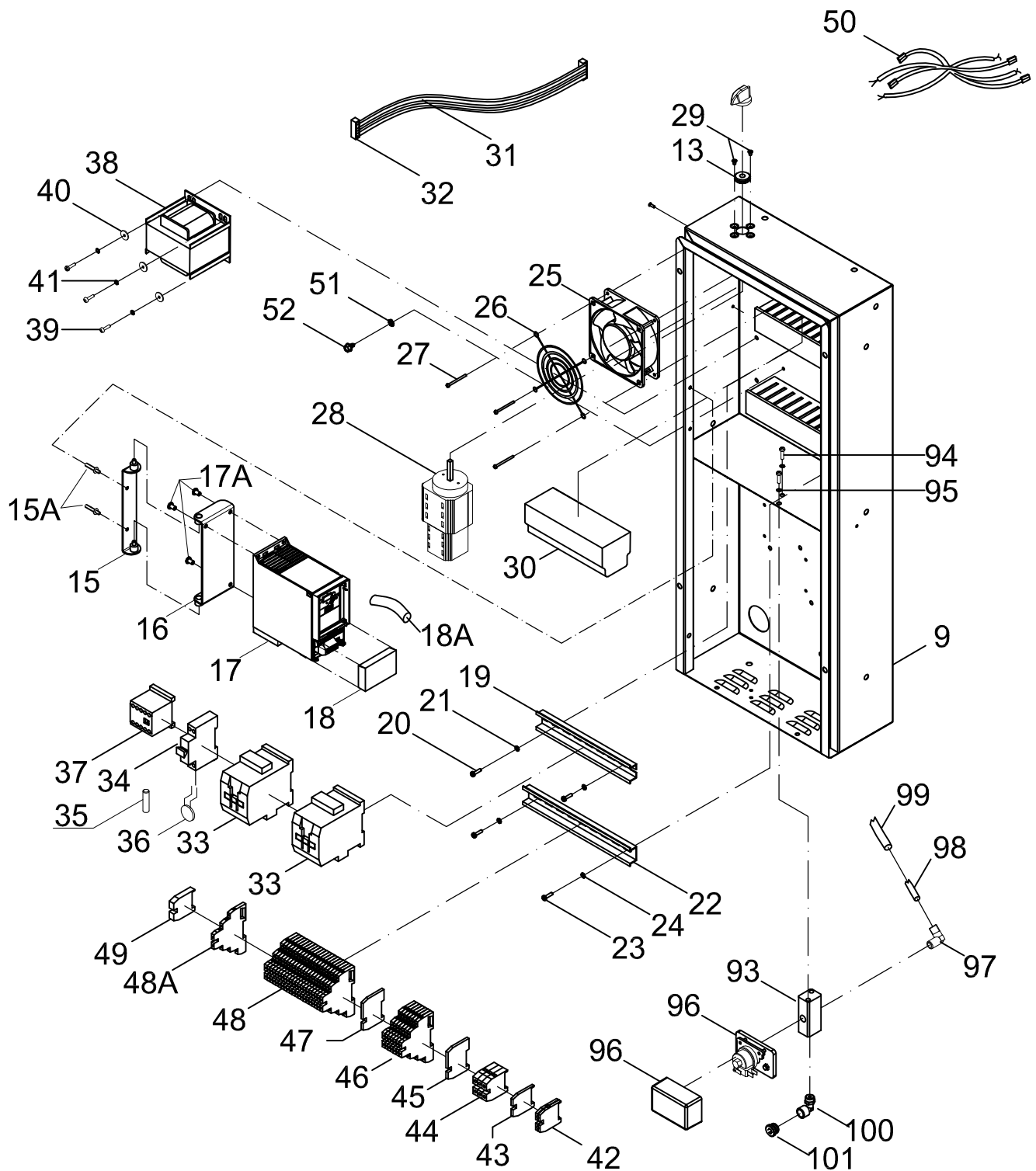
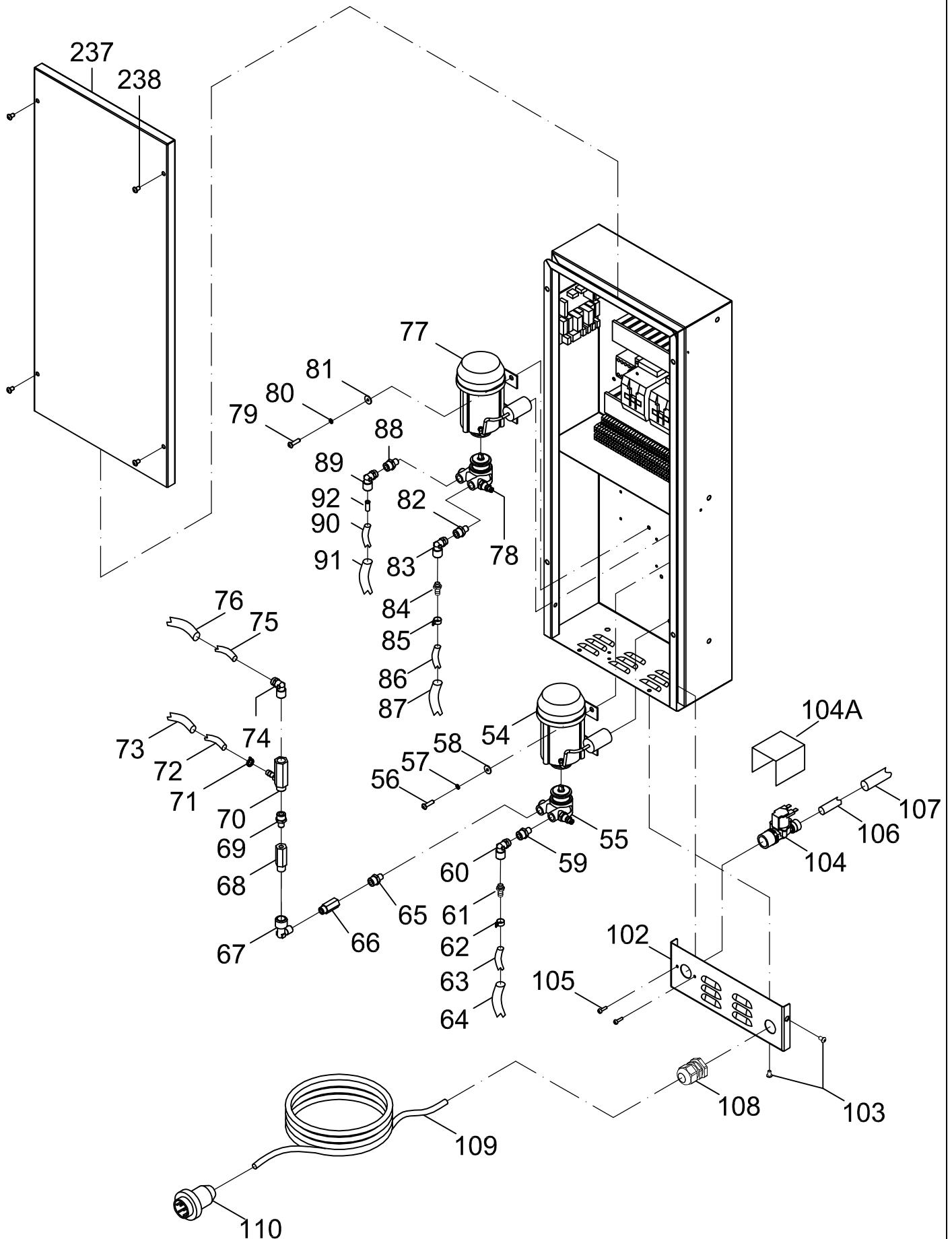
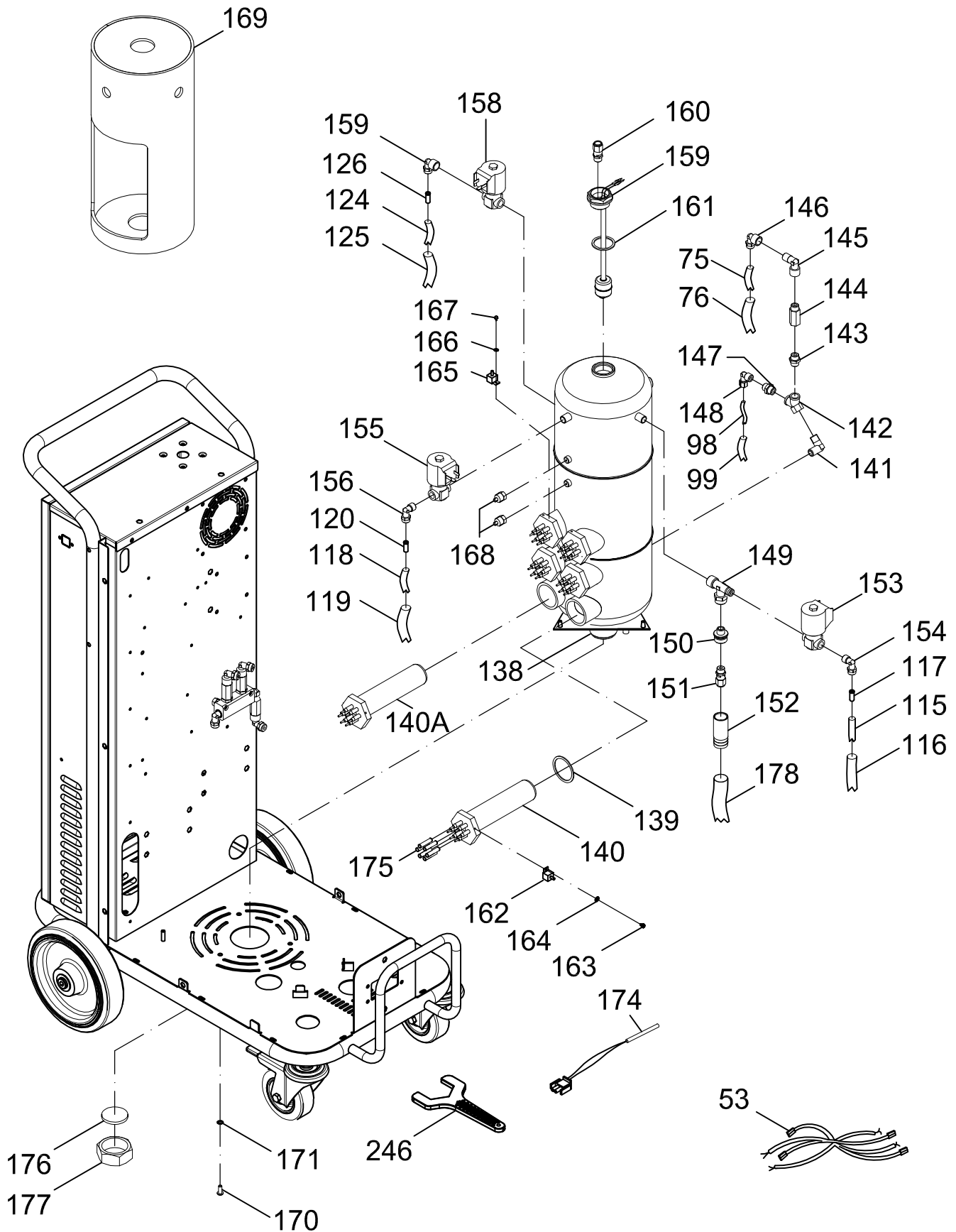
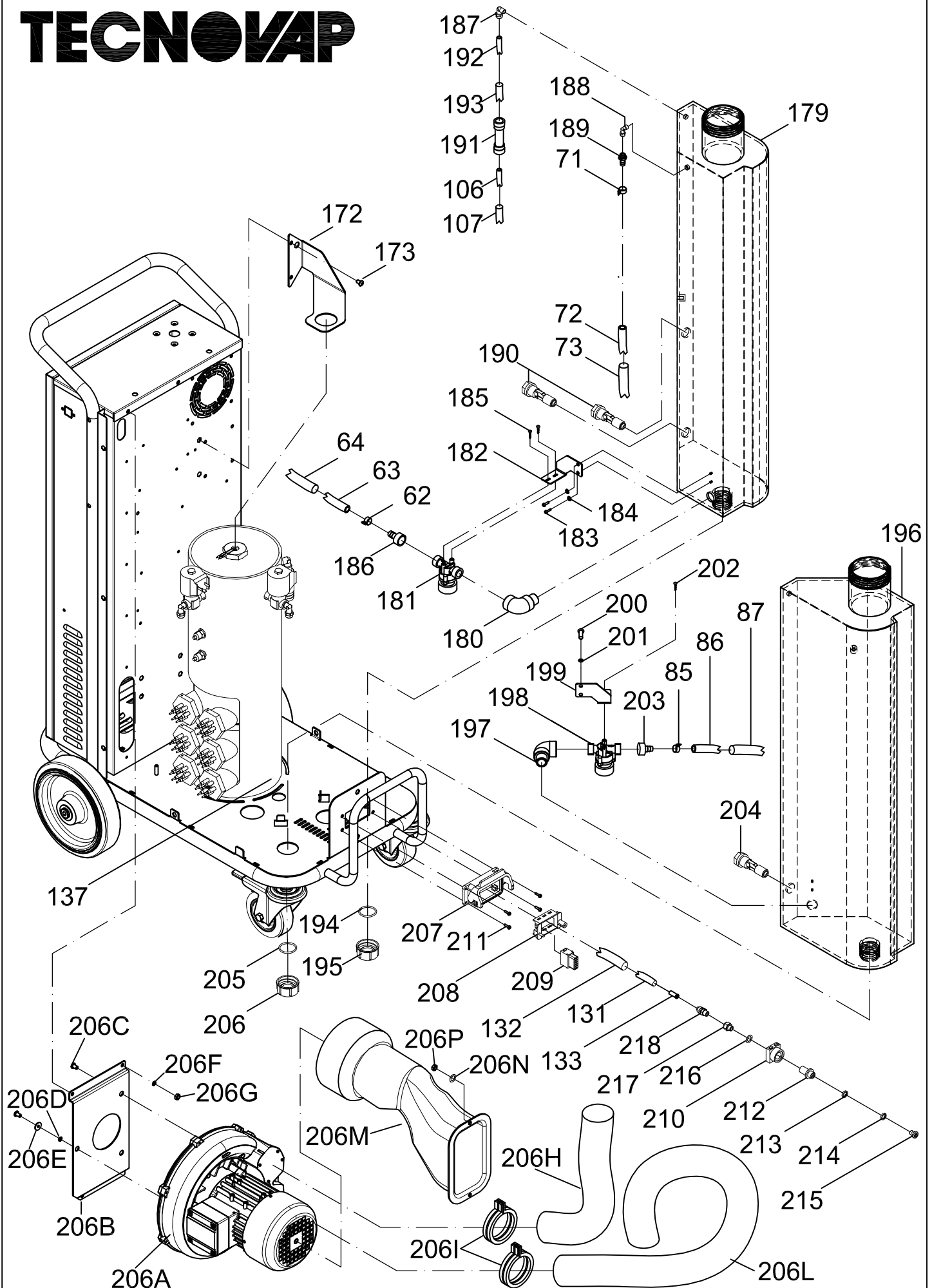


TECNOVAP

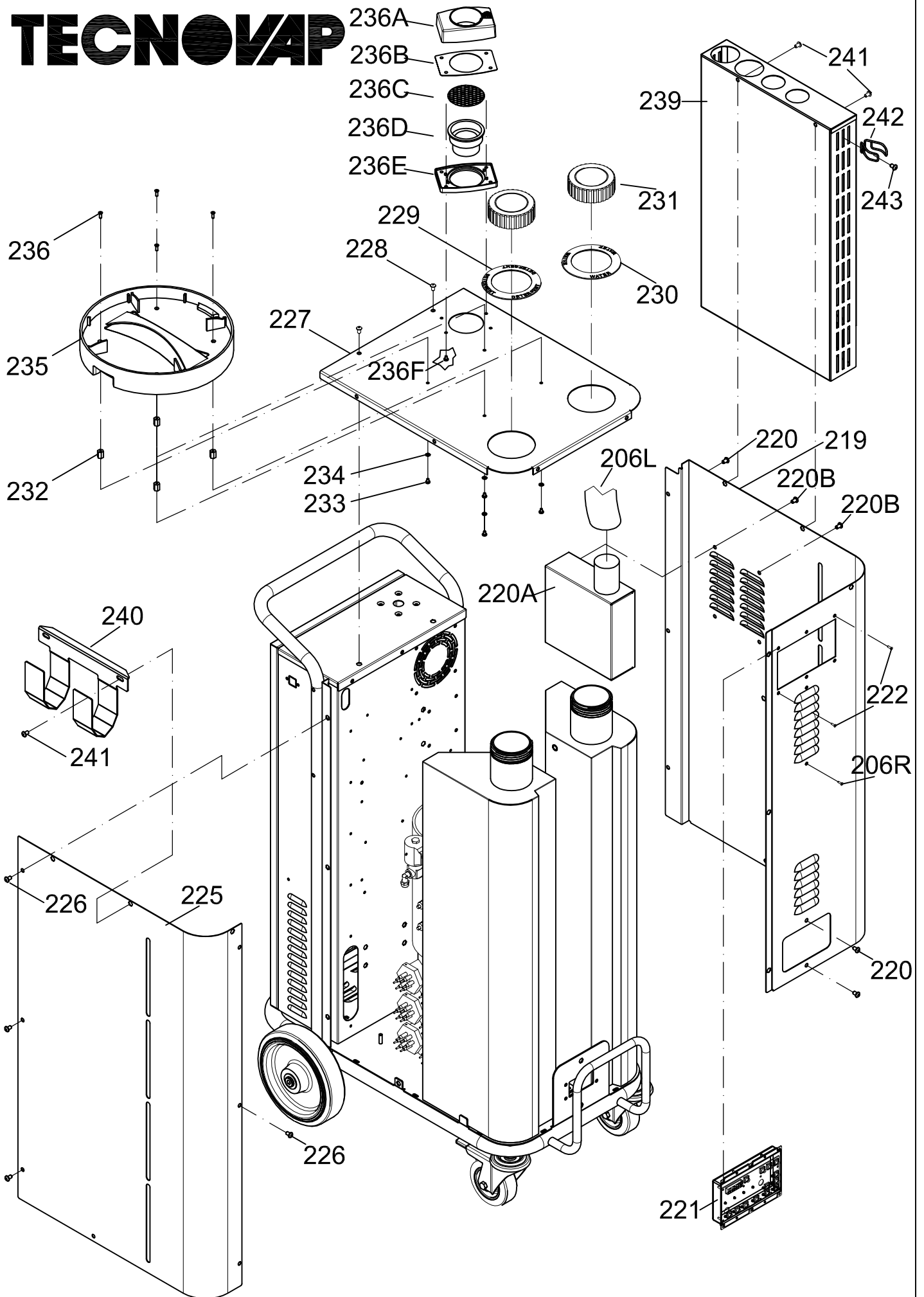


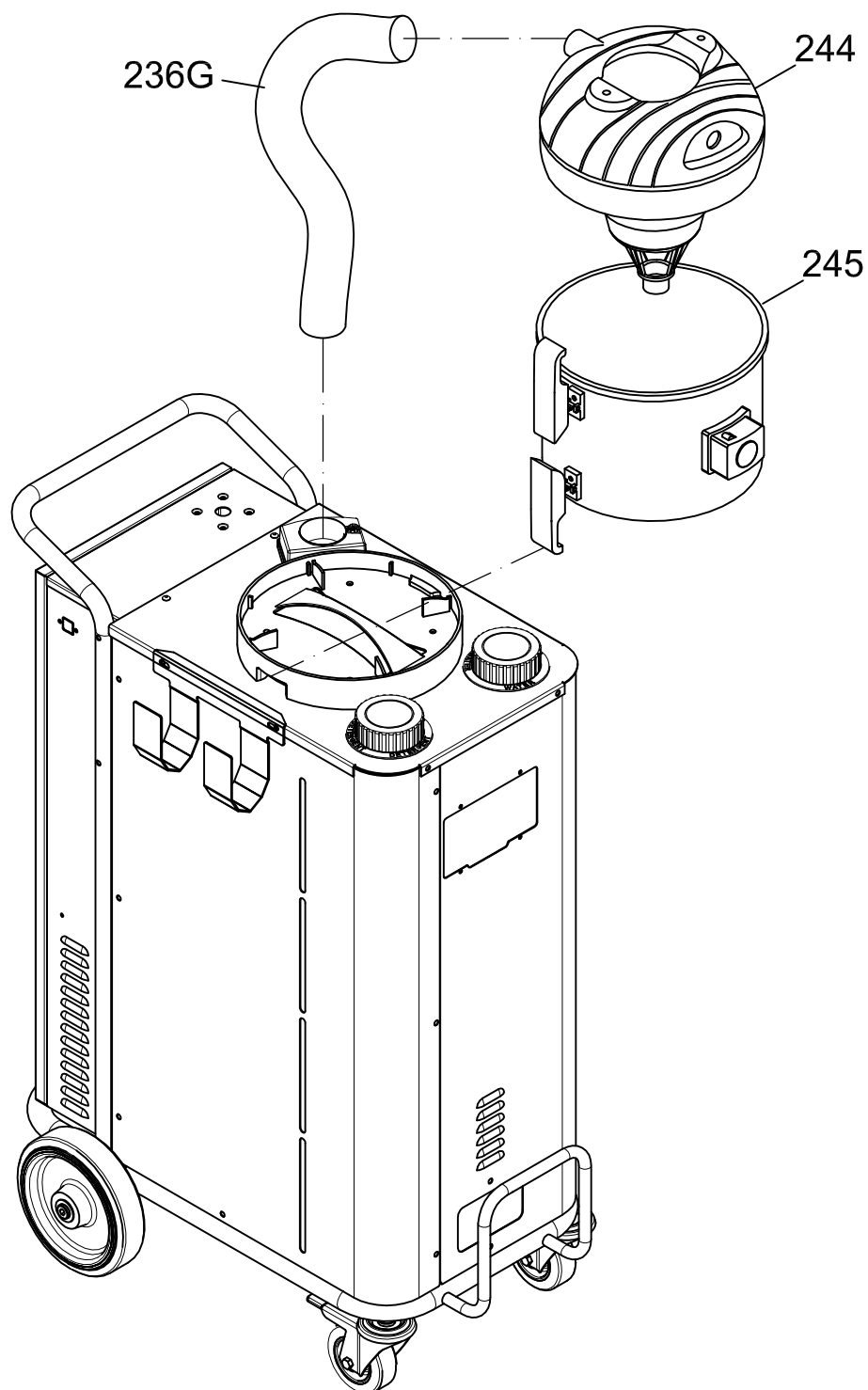






TECNOVAP





STEAM BOX INDUSTRIAL 20,75kW cod. 5W03T1M REV.0 27/04/15

Pos.	CODICE	Q.tà	DENOMINAZIONE	DENOMINATION
1	CR40006V2	1	CARRELLO S B INDUSTRIAL / PROF SALDATO	COMPLETE TROLLEY FOR STEAM BOX IND./PROF.
2	PG54098	2	RUOTA Ø100 GIREVOLE CON FRENO BLU	WHEEL Ø100 - SWIVEL W/ BRAKE
3	VI75008	2	RONDELLA M12 INOX	WASHER M12 INOX
4	VI71258	2	VITE TCEI M12x30 INOX	SCREW M12x30
5	VI7336	2	RONDELLA INOX M20	WASHER INOX M20
6	PG54168	2	RUOTA POSTERIORE Ø200 S.BOX BLU	REAR WHEEL Ø 200
7	CR4006E	2	RONDELLA 16x32 INOX	WASHER 16x32 INOX
8	RA3163	2	TAPPO 3/8"G m	CAP 3/8"G
9	CA16095V2	1	QUADRO ELETTRICO STEAM BOX INDUSTRIAL	ELECTRIC BOX STEAM BOX IND. ST. STEEL
10	85120220	2	VITE TBEI M6x10 INOX	SCREW M6x10 - ST. STEEL
11	VI76005	2	VITE TBEI M6x35 INOX	SCREW M6x35 - ST. STEEL
12	PG5339	1	PASSATUBO TAPPO Ø46x38x11 GAL	MOUTHPIECE Ø46x38x11
13	PG5308	1	PASSATUBO 3.8-8.5x3-9x3x25	MOUTHPIECE 3.8-8.5x3-9x3x25
14	PG5145	1	GUARNIZIONE TUBI PASSAGGIO	O-RING FOR ELECTRIC TUBING
15	CA51804	1	STAFFA CERNIERA PER INVERTER COMPLETA	HINGE BRACKET FOR INVERTER COMPLETE
15A	VI7044	2	RIVETTO ACCIAIO INOX Ø4X10,2	RIVET STEEL Ø4X10,2
16	CA51754	1	STAFFA CERNIERA SU INVERTER COMPLETA	BRACKET HINGE ON INVERTER COMPLETE
17	PE51754	1	INVERTER FC51 0,75KW / 0,75 Hp 380-480 VAC	INVERTER FC51 0,75KW / 0,75 Hp 380-480 VAC
17A	VI71216	3	VITE TC TC M4X10 INOX UNI7687 DIN7985	SCREW 4x10
18	PE51804	1	COVER CHIUSURA VANO DISPLAY INVERTER	COVER CLOSING DOOR DISPLAY INVERTER
18A	PG51755	mt 0,25	SPIRALE PE NERA Ø15,24	SPIRAL PE BLACK Ø15,24
19	RA3081	mt 0,17	SUPPORTO BARRA DIN 35x15	SUPPORT 35x15
20	VI7022	2	RIVETTO ACCIAIO INOX Ø4X12	RIVET STEEL Ø4X12
21	VI7312	2	RONDELLA GREMBIULINA 4x16	WASHER 4x16
22	RA3081	mt 0,285	SUPPORTO BARRA DIN 35x15	SUPPORT 35x15
23	VI7022	2	RIVETTO ACCIAIO INOX Ø4X12	RIVET STEEL Ø4X12
24	VI7312	2	RONDELLA GREMBIULINA 4x16	WASHER 4x16
25	PE40009	1	VENTOLA RAFFREDDAMENTO 120x120x38	COOLING FAN 120x120x38
26	PE40093	1	GRIGLIA PROTEZIONE PER VENTOLA 120x120	PROTECTION GRILL FOR FAN 120x120
27	VI70703	4	VITE M4x50 TC TC	SCREW M4x50
28	PE22764	1	COMMUTATORE 80-25A 400V 5 POS. 15 CONT.	SWITCH 80-25A 400V 5 POS. 15 CONT.
29	VI74004	2	VITE TSP BRUGOLA M3x10	SCREW M3x10
30	PE64C32	1	SCHEDA S.B.MINI UNITA' POTENZA COMPL.	ELECTRONIC BOARD
31	PE20331	mt. 1,05	FLAT CABLE 20P	FLAT CABLE 20P
32	PE20321	2	CONETTORE FEMMINA FLAT CABLE 20 POLI	FEMALE CONNECTOR
33	PE23604	2	CONTATTORE 220/230/50 230/240/60 45A	CONTACTOR 220/230/50 230/240/60 45A
34	PE2068	1	PORTAFUSIBILE SEZ.1P+N 20A	FUSE HOLDER 1P+N 20A
35	PE20676	1	FUSIBILE 2A 400V 10,3X38	FUSE 2A 400V 10,3X38
36	PE27503	1	VARISTORE S20K300	VARISTOR
37	PE2351	1	CONTATTORE POTENZA 230/50-60Hz 25A	CONTACTOR 230/50-60Hz 25A
38	PE20517	1	AUTO. 400VA 400/230V+TRASFO.10VA 400/12V	SELFTRANSFORMER
39	VI71615	4	VITE TC M4X12 ZN UNI 7687 DIN 7985	SCREW M4X12
40	VI7314	4	RONDELLA GREMBIULINA ZN 4x12	WASHER 4X12
41	VI7318	4	RONDELLA DENTELLATA ZN ESTERNA Ø4	LOCK WASHER Ø4
42	PE20025	1	MORSETTO DI TERRA 10mmq M10/10	CONNECTOR FOR EARTHING 10mmq M10/10
43	PE20035	1	PIASTRINA TERMINALE PER MORSETTO M10/10	TERMINAL PLATE FOR CONNECTOR M10/10
44	PE20015	3	MORSETTO PER STEAM BOX 10mmq	CONNECTOR 10mmq
45	PE20045	1	SEPARATORE DI CIRCUITO PER MORSETTO	SEPARATOR FOR CONNECTOR
46	PE20005	7	MORSETTO PER STEAM BOX 4mmq	CONNECTOR 4mmq
47	PE20045	1	SEPARATORE DI CIRCUITO PER MORSETTO	SEPARATOR FOR CONNECTOR
48	PE20005	21	MORSETTO PER STEAM BOX 4mmq	CONNECTOR 4mmq
48A	PE23644	1	RELAY MODULARE 6mm SSR 230VAC-24VDC 2A	MODULAR 6mm RELAY SSR 230VAC-24VDC 2A
49	PE20055	1	BLOCCETTO DI ARRESTO PER MORSETTO M10/10	STOPPER FOR CONNECTOR M10/10
50	PE53TXM	1	CABLAGGIO X1 COMPLETO	COMPLETE WIRING X1
51	VI73036	1	RONDELLA DENTELLATA INOX M6	LOCK WASHER M6
52	VI76012	1	DADO M6 INOX	NUT M6 INOX
53	PE21015V2	1	CABLAGGIO X2 S.B.IND 10,8-36KW	WIRING X2
54	PE20467	1	POMPA VOLUMETRICA 100L/H	PUMP 100LH
55	PE21654	1	MOTORE A INDUZIONE 165W 220/230V 50/60Hz	MOTOR 165W 220/230V 50/60Hz
56	VI81004	4	VITE M6x25 BUTTON HEAD INOX	SCREW M6x25
57	VI73036	4	RONDELLA DENTELLATA INOX M6	LOCK WASHER M6
58	85140900	4	RONDELLA PIANA INOX 6x18	WASHER 6x18
59	RA32007	1	RIDUZIONE 3/8"G m 1/4"G f	REDUCTION 3/8"G 1/4"G
60	RA31044	1	RACCORDO GOMITO 1/4"M-1/4"F	ELBOW FITTING 1/4"M-1/4"F
61	RA26014	1	PORTAGOMMA DIRITTO 1/4"M PG9	STRAIGHT HOSE 1/4"M PG9
62	PG5200	2	FASCETTA CLIC 12-14/6 (135)	CLAMP
63	RA33611	mt.0,79	TUBO TRASPARENTE RETINATO 14x8	TRASPARENT BRAIDED TUBE 14X8
64	PG53864	mt.0,71	CALZA VETRO SILICONE ROSSO Øi 16	SILICON GLASS SHIELD RED Øi 16
65	RA32007	1	RIDUZIONE 3/8"G m 1/4"G f	REDUCTION 3/8"G 1/4"G
66	RA31875	1	RACCORDO DIRITTO 1/4"M-1/4"M	STRAIGHT VALVE 1/4"M-1/4"M
67	RA31044	1	RACCORDO GOMITO 1/4"G mx1/4"G f	ELBOW VALVE 1/4"G m x 1/4"G f
68	RA34088	1	VALVOLA UNIDIREZIONALE MOLLA DURA 1/4"	NON RETURN VALVE - HEAVY SPRING 1/4

69	RA32017	1	RACCORDO 3/8"G f 1/4"G m	REDUCTION 3/8"G 1/4"G
70	PE2425	1	DEAREATORE PER ET3000	BLEEDER VALVE FOR PUMP
71	PG5200	2	FASCETTA CLIC 12-14/6 (135)	CLAMP
72	RA33611	mt.1,34	TUBO TRASPARENTE RETINATO 14x8	TRASPARENT BRAIDED TUBE 14X8
73	PG53864	mt.1,14	CALZA VETRO SILICONE ROSSO Øi 16	SILICON GLASS SHIELD RED Øi 16
74	RA31815	1	RACCORDO A GOMITO 6x8-3/8"G m	ELBOW VALVE 6x8 3/8"G m
75	RA3201	mt.0,46	TUBO TEFLON Ø6x8	TEFLON HOSE Ø6x8
76	PG53831	mt.0,36	CALZA VETRO SILICONE ROSSO Øi 8	SILICON GLASS SHIELD RED Øi 8
77	PE20477	1	POMPA VOLUMETRICA 50L/H	PUMP 50LH
78	PE21654	1	MOTORE A INDUZIONE 165W 220/230V 50/60Hz	MOTOR 165W 220/230V 50/60Hz
79	VI81004	4	VITE M6x25 TE ZN	SCREW M6x25
80	VI73036	4	RONDELLA DENTELLATA INOX M6	LOCK WASHER M6
81	85140900	4	RONDELLA PIANA INOX 6x18	WASHER 6x18
82	RA32007	1	RIDUZIONE 3/8"G m 1/4"G f	REDUCTION 3/8"G 1/4"G
83	RA31044	1	RACCORDO GOMITO 1/4"M-1/4"F	ELBOW FITTING 1/4"M-1/4"F
84	RA26014	1	PORTAGOMMA DIRITTO 1/4"M PG9	STRAIGHT HOSE 1/4"M PG9
85	PG5200	2	FASCETTA CLIC 12-14/6 (135)	CLAMP
86	RA33611	mt.0,74	TUBO TRASPARENTE RETINATO 14x8	TRASPARENT BRAIDED TUBE 14X8
87	PG53864	mt.0,63	CALZA VETRO SILICONE ROSSO Øi 16	SILICON GLASS SHIELD RED Øi 16
88	RA32007	1	RIDUZIONE 3/8"G m 1/4"G f	REDUCTION 3/8"G 1/4"G
89	RA32018	1	RACCORDO GOMITO 6x10-1/4"M (OGIVA)	ELBOW FITTING 6x10-1/4"M (OGIVA)
90	RA33107	mt. 0,61	TUBO TEFLON Ø6x10	TEFLON HOSE Ø 6x10
91	PG53807	mt. 0,51	CALZA VETRO SILICONE ROSSO Øi 10	SILICON GLASS SHIELD RED Øi 10
92	VI42013	2	BOCCOLA DI SUPPORTO Ø6,2	BUSH SUPPORT Ø6,2
93	RA30304	1	BLOCCETTO X PRESSOSTATO STEAM BOX IND	BLOCK FOR PRESSURE STEAM
94	85120220	2	VITE M6X10 BUTTON HEAD INOX	SCREW M6X10
95	VI73036	2	RONDELLA DENTELLATA INOX M6	LOCK WASHER M6
96	PE24123	1	PRESSOSTATO 16A 9-15bar BOX IP54 1/8"M	PRESSURE SWITCH 16A 9-15 bar BOX IP54
97	RA31556	1	RACCORDO GOMITO 1/8"m-6/4 (OGIVA)	ELBOW FITTING 1/8"m-6/4 (OGIVA)
98	RA3210	mt. 0,62	TUBO TEFLON Ø4x2	TEFLON HOSE Ø4x2
99	PG5338	mt. 0,52	TUBO GOMMA EPDM NERO Ø7x10	EPDM HOSE Ø7x10
100	RA3147	1	RACCORDO GOMITO 1/8"F-1/8"M	ELBOW FITTING 1/8"F-1/8"M
101	RA3168	1	TAPPO PER RACCORDO 1/8"M	BRASS CAP 1/8"M
102	CA16200V1	1	STAFFA INGR. ALIMENT.S/B.IND/PROF xISO25	SUPPORT MOUNT FOR POWER CORD
103	85120220	4	VITE M6X10 BUTTON HEAD INOX	SCREW M6X10
104	PE23370	1	ELETTROVALVOLA IN 3/4 M OUT J/G 8	SOLENOID VALVE 3 / 4 OUT J M / G 8
104A	PP23370	1	COPERCHIO ISOLANTE IN MYLAR SU RETE IDRICA	COVER INSULATION IN MYLAR
105	VI71216	2	VITE TC TC M4X10 INOX UNI7687 DIN7985	SCREW M4X10
106	RA33008	mt.1,00	TUBO POLIURETANO BLU Ø6x8	BLUE POLYURETHANE HOSE Ø6x8
107	PG53831	mt.0,95	CALZA VETRO SILICONE ROSSO Øi 8	SILICON GLASS SHIELD RED Øi 8
108	PR00014	1	PRESSACAVO OTT/NIC M32x1,5 SER.21mm	CABLEPRESS M32
109	PE21093	mt.8,50	CAVO ALIMENTAZIONE	POWER CORD
110	PE32019	1	SPINA 3P+T 400V 32A	PLUG
111	RA20008	1	COLLETTORE 76x40x20 2x1/4"F-1/4"F PASSANTI	COLLECTOR
112	RA31875	2	RACCORDO DIRITTO 1/4"G m x 1/4"G m	STRAIGHT VALVE 1/4"G x 1/4"G
113	RA34094	2	VALVOLA NON RITORNO MOLLA DEBOLE	NON RETURN VALVE - LIGHT SPRING
114	RA32028	2	RACCORDO GOMITO 6x10 1/4"G f	ELBOW VALVE 6x10 1/4"G
115	RA33107	mt. 0,47	TUBO TEFLON Ø6x10	TEFLON HOSE Ø6x10
116	PG53807	mt. 0,42	CALZA VETRO SILICONE ROSSO Øi 10	SILICON GLASS SHIELD RED Øi 10
117	VI42013	2	BOCCOLA DI SUPPORTO Ø6,2	BUSH SUPPORT Ø6,2
118	RA33107	mt. 0,62	TUBO TEFLON Ø6x10	TEFLON HOSE Ø 6X10
119	PG53807	mt. 0,54	CALZA VETRO SILICONE ROSSO Øi 10	SILICON GLASS SHIELD RED Øi 10
120	VI42013	2	BOCCOLA DI SUPPORTO Ø6,2	BUSH SUPPORT Ø6,2
121	RA31474	1	RACCORDO GOMITO 1/4"Mx1/4"M	ELBOW VALVE 1/4"G m x 1/4"G m
122	RA34094	1	VALVOLA NON RITORNO MOLLA DEBOLE	NON RETURN VALVE - LIGHT SPRING
123	RA32028	1	RACCORDO GOMITO 6x10 1/4"G f	ELBOW VALVE 6x10 1/4"G
124	RA33107	mt. 0,68	TUBO TEFLON Ø6x10	TEFLON HOSE Ø 6X10
125	PG53807	mt. 0,62	CALZA VETRO SILICONE ROSSO Øi 10	SILICON GLASS SHIELD RED Øi 10
126	VI42013	2	BOCCOLA DI SUPPORTO Ø6,2	BUSH SUPPORT Ø6,2
127	RA31474	1	RACCORDO GOMITO 1/4"Mx1/4"M	ELBOW VALVE 1/4"G m x 1/4"G m
128	RA34084	1	VALVOLA NON RITORNO MOLLA DURA	NON RETURN VALVE - LIGHT SPRING
129	RA32028	1	RACCORDO GOMITO 6x10 1/4"G f	ELBOW VALVE 6x10 1/4"G
130	RA32008	1	RACCORDO DIRITTO 6x10 1/4"G f	VALVE 6x10 1/4"G
131	RA33107	mt. 0,78	TUBO TEFLON Ø6x10	TEFLON HOSE Ø 6X10
132	PG53807	mt. 0,68	CALZA VETRO SILICONE ROSSO Øi 10	SILICON GLASS SHIELD RED Øi 10
133	VI42013	2	BOCCOLA DI SUPPORTO Ø6,2	BUSH SUPPORT Ø6,2
134	RA20014	2	DISTANZIALE Ø12 LUNGH. 7 mm FORO Ø4,5	DISTANCE Ø12 LENGHT. 7 mm HOLE Ø4,5
135	VI71695	2	VITE M4x35 TC TC ZN	SCREW M4x35
136	VI7318	2	RONDELLA DENTELLATA ZN ESTERNA Ø4	LOCK WASHER M4
137	09W53T0	1	CALDAIA COMPLETA	BOILER COMPLETE
138	99W53T0	1	CALDAIA STEAM BOX IND. C/RESIST. 20,75kW	BOILER W/ HEATING ELEMENT 20,75kW
139	PG51396	6	GUARNIZIONE RAME Ø42x50x1,5	COPPER GASKET Ø42x50x1,5
140	PE25226	5	RESISTENZA 230V 3600W 1" ¼	HEATING ELEMENT 230V 3600W
140A	PE25047	1	RESISTENZA 240V 3000W 1" ¼	HEATING ELEMENT 240V 3000W
141	RA31473	1	CURVA 90° 1/4"M - 1/4"M ANTICALCARE	90° ELBOW 1/4"M - 1/4"M SCALE
142	RA31014	1	RACCORDO A Y 1/4"G fx1/4"G fx1/4"G f	Y VALVE 1/4"G fx1/4"G fx1/4"G f

143	RA31875	1	RACCORDO DIRITTO 1/4"G m x 1/4"G m	STRAIGHT VALVE 1/4"G x 1/4"G
144	RA34084	1	VALVOLA NON RITORNO MOLLA DURA	NON RETURN VALVE - LIGHT SPRING
145	RA31044	1	RACCORDO GOMITO 1/4"G m x 1/4"G f	ELBOW VALVE 1/4"G m x 1/4"G f
146	RA31675	1	RACCORDO GOMITO 6x8 1/4"G f	ELBOW VALVE 6x8 1/4"G f
147	RA30704	1	RIDUZIONE 1/4"G m 1/8"G f	REDUCTION 1/4"G 1/8"G
148	RA3155	1	RACCORDO GOMITO 1/8"G m x 4/2	ELBOW VALVE 1/8"G m x4/2
149	RA31037	1	RACCORDO A T 1/4"G fx1/4"G fx1/4"G m	3-WAYS VALVE 1/4"G fx1/4"G fx1/4"G m
150	RA31874	1	RACCORDO DIRITTO 1/4"G mx1/4"G fxM22	STRAIGHT VALVE 1/4"G mx1/4"G fxM22
151	RA34164	1	VALVOLA SICUREZZA 97/23CE 12 bar 1/4"M KALREZ	SAFETY VALVE 97/23CE 12 bar 1/4"M KALREZ
152	RA30194	1	PORTAGOMMA M22x1.5xø25 L.60	TUBE COUPLER M22x1.5xø25 L.60
153	PE23014	1	ELETTROVAL. SERIE99 PTFE DN 1.5 1/4"G fx1/4"G f	SOLENOID VALVE 99 DN 1.5 1/4"G fx1/4"G f
154	RA32018	1	RACCORDO GOMITO 6x10 1/4"G m	ELBOW VALVE 6x10 1/4"G m
155	PE23024	1	ELETTROVAL. SERIE99 PTFE DN 2.8 20VA 1/4"G fx1/4"G f	SOLENOID VALVE 99 DN 2.8 20VA 1/4"G fx1/4"G f
156	RA32018	1	RACCORDO GOMITO 6x10 1/4"G m	ELBOW VALVE 6x10 1/4"G m
157	PE23014	1	ELETTROVAL. SERIE99 PTFE DN 1.5 1/4"G fx1/4"G f	SOLENOID VALVE 99 DN 1.5 1/4"G fx1/4"G f
158	RA32018	1	RACCORDO GOMITO 6x10 1/4"G m	ELBOW VALVE 6x10 1/4"G m
159	RA32815	1	TAPPO OTTONE C/SONDA C.L.mm280+SIC.15bar	BRASS CAP LVL CONTACT FLOAT L.280
160	RA34067	1	VALVOLA SICUREZZA 97/23CE > 50 15 bar 1/4"G m	SAFETY VALVE 97/23CE > 50 15 bar 1/4"G m
161	PG51033	1	GUARNIZIONE TEFLON ø33.2x40x2	TEFLON GASKET ø33,2x40x2
162	PE2344	6	TERMOSTATO 275° RIPRISTINO	RESET THERMOSTAT 275°
163	VI7130	6	VITE AUTOFILETTANTE NICHELATA TC TC 3.5x9.5	SCREW 3,5x9,5
164	VI7318	6	RONDELLA DENTELLATA M4	LOCK WASHER M4
165	PE23447	2	TERMOSTATO 235° RIPRISTINO R.A.	THERMOSTAT 235°
166	VI7318	2	RONDELLA DENTELLATA M4	LOCK WASHER M4
167	VI7130	2	VITE AUTOFILETTANTE NICHELATA TC TC 3.5x9.5	SCREW 3,5x9,5
168	PE2334	2	TERMOSTATO 175° RIPRISTINO	RESET THERMOSTAT 175°
169	IS40215	1	ISOLANTE CALDAIA STEAM BOX INDUSTRIAL H.590	BOILER INSULATION H590
170	85120230	3	VITE TBEI ISO 7380 M6x16 INOX	SCREW M6x16
171	VI73036	3	RONDELLA DENTELLATA INOX M6	LOCK WASHER M6
172	CA16294	1	STAFFA FERMA CALDAIA INDUSTRIAL	BRACKET STOPS INDUSTRIAL BOILER
173	85120220	2	VITE TBEI M6x10 INOX	SCREW M6x10 - ST. STEEL
174	PE20532	1	TERMORESISTENZA PT1000 L. 200 COMPL.	THERMORESISTANCE PT1000 L.200 COMPL.
175	PG53827	mt. 2,16	CALZA VETRO SILICONE ROSSO Øi 6	SILICON GLASS SHIELD RED Øi 6
176	PG52084	1	GUARNIZIONE MICROFLON Ø29,5x49,5x2	GASKET ø29,5x49,5x2
177	RA31634	1	TAPPO DRENAGGIO 1 1/2"G f	BOILER DRAIN CAP 1 1/2"G f
178	PG52005	mt. 0,55	TUBO SILICONE NERO 25x28	SILICON HOSE 25x28
179	CA126SX	1	SERBATOIO ACQUA STEAM BOX INDUSTRIAL	WATER TANK
180	PP27013	1	RACCORDO GOMITO 1/2"M-1/2"F PLASTICA	PLASTIC ELBOW FITTING 1/2"M-1/2"F
181	FL12512	1	FILTRO ISPEZIONABILE 125 MICRONS 1/2M	INSPECTIONABLE FILTER
182	CA17013	1	STAFFA FILTRO ISPEZIONABILE S/B/PROF	BRACKET FILTER INSPECT
183	VI71216	2	VITE TC TC M4X10 INOX UNI7687 DIN7985	SCREW M4X10
184	VI7318	2	RONDELLA DENTELLATA ZN ESTERNA Ø4	LOCK WASHER Ø4
185	VI7137	2	VITE AUTOFIL. Ni TC TC. 3,5X13	SCREW 3,5X13
186	PP27003	1	PORTAGOMMA DIRITTO 1/2"F PG10 PLASTICA	BARBED FITTING 1/2" FEMALE- Ø 12X9
187	RA31058	1	RACCORDO GOMITO 6x8-1/8"M GIREVOLE I/R	SWIVEL ELBOW FITTING 3/8" MALE - Ø12X9
188	RA3147	1	RACCORDO GOMITO 1/8"F-1/8"M	ELBOW FITTING 1/8"F-1/8"M
189	RA26021	1	PORTAGOMMA DIRITTO 1/8"M PG9	BARBED FITTING 1/8"M Ø9
190	PE2327	2	INTERRUTTORE REED GALLEGG.ORIZZONTALE	HORIZONTAL TANK FLOAT
191	PP28003	1	RACCORDO DIRITTO ANTIREFLUSSO I/R Ø8	ANTIREFLUX FITTING Ø8
192	RA33008	mt.0,10	TUBO POLIURETANO BLU Ø6x8	BLUE POLYURETHANE HOSE Ø12X9
193	PG53831	mt.0,06	CALZA VETRO SILICONE ROSSO Øi 8	SILICON GLASS SHIELD RED Øi 8
194	PG5123	1	OR 29,82x2,62 SILICONE ROSSO	SILICON O-RING 29,82X2,62
195	RA3320	1	TAPPO NERO SCARICO SERBATOIO (HI TECH)	DRAIN CAP WATER / DET. TANK
196	CA126DX	1	SERBATOIO DETERGENTE STEAM BOX INDUSTRIAL	DETERGENT TANK
197	PP27013	1	RACCORDO GOMITO 1/2"M-1/2"F PLASTICA	PLASTIC ELBOW FITTING 1/2"M-1/2"F
198	FL12512	1	FILTRO ISPEZIONABILE 125 MICRONS 1/2M	INSPECTIONABLE FILTER
199	CA17013	1	STAFFA FILTRO ISPEZIONABILE S/B/PROF	BRACKET FILTER INSPECT
200	VI71216	2	VITE TC TC M4X10 INOX UNI7687 DIN7985	SCREW M4X10 INOX
201	VI7318	2	RONDELLA DENTELLATA ZN ESTERNA Ø4	LOCK WASHER Ø4
202	VI7137	2	VITE AUTOFIL. Ni TC TC. 3,5X13	SCREW 3,5X13
203	PP27003	1	PORTAGOMMA DIRITTO 1/2"F PG10 PLASTICA	BARBED FITTING 1/2" FEMALE- Ø 12X9
204	PE2327	1	INTERRUTTORE REED GALLEGG.ORIZZONTALE	HORIZONTAL TANK FLOAT
205	PG5123	1	OR 29,82x2,62 SILICONE ROSSO	SILICON O-RING 29,82X2,62
206	RA3320	1	TAPPO NERO SCARICO SERBATOIO (HI TECH)	DRAIN CAP WATER / DET. TANK
206A	8400014	1	TURBINA A CANALE LATERALE 0,55KW C/P.T.	TURBINE SIDE CHANNEL 0,55kW
206B	CA16204	1	STAFFA FISSAGGIO TURBINA	BRACKET TURBINE
206C	85120230	3	VITE M6X16 BUTTON HEAD INOX ISO7380	SCREW M6X16
206D	VI73036	3	RONDELLA DENTELLATA INOX M6 DIN 6798A	WASHER NOTCHED M6
206E	VI73394	3	RONDELLA PIANA INOX M6	WASHER M6
206F	VI73036	3	RONDELLA DENTELLATA INOX M6 DIN 6798A	WASHER NOTCHED M6
206G	VI76012	3	DADO M6 INOX UNI5588 ISO4032 UNI EN24032	NUT M6 INOX
206H	PG55014	mt. 0,40	GUAINA SUPERFLEX Ø51-59	SHEATH SUPERFLEX Ø51-59
206I	RA32083	4	FASCETTA METALLICA INOX 44-56	BAND METAL INOX
206L	PG55014	mt. 0,45	GUAINA SUPERFLEX Ø51-59	SHEATH SUPERFLEX Ø51-59
206M	PP84014	1	CONVOGLIATORE ARIA TURBINA	CONVEYOR AIR TURBINE
206N	VI73257	2	RONDELLA PIANA INOX M4 UNI6592 DIN125	WASHER M4

206P	VI71452	2	DADO M3 INOX A2 AUTOBLOC. UNI7473 DIN982	NUT M3 INOX
206R	VI71312	2	VITE TCBEI M3X12 ISO7380 INOX	SCREW M3x12
207	PE30142	1	CUSTODIA DA PANNELLO CON LEVA	CONNECTOR COVER W/ SNAP
208	PE30015	1	TELAIO INCERNERIATO 3 MODULI PER CUSTODIA	FRAME FOR 3 CONNECTORS
209	PE30035	1	FRUTTO 1 MODULO PER CONTATTO F 12P	CONNECTOR FOR 12P CONTACT
210	PP00195	1	BLOCCHETTO ISOLANTE ALTA TEMP. PER UGELLO	INSULATION BLOCK FOR NOZZLE
211	VI71619	4	VITE TC TC M4X16 INOX UNI7687 DIN7985A	SCREW M4x16
212	7200124	1	ATTACCO PER UGELLO MASCHIO 1/8" F M8x1 F	COUPLER FOR MALE NOZZLE
213	PG51004	1	GUARNIZIONE TEFLON + OR SILICONE	TEFLON GASKET + OR SILICON
214	PG51428	1	OR 9,25x1,78 VITON FLUORAZ	O-RING 9,25x1,78 VITON FLUORAZ
215	7200134	1	UGELLO MASCHIO M8x1 m	MALE NOZZLE M8X1 m
216	VI7339	1	RONDELLA DI SPESSORAMENTO 10x16x0.5	WASHER 10X16X0,5
217	RA30724	1	RIDUZIONE 1/4"G f 1/8"G m	REDUCTION 1/4"G f 1/8"G m
218	RA32008	1	RACCORDO DIRITTO 6x10 1/4"G m	STRAIGHT VALVE 6x10 1/4"G m
219	CA19035V1	1	MANTELLINO SX STEAM BOX INDUSTRIAL X TURBINA	LEFT PANEL - S. BOX IND. TURBINE
220	85120220	6	VITE TBEI M6x10 INOX	SCREW M6x10 - ST. STEEL
220A	CA19034	1	SCATOLA SCARICO ARIA TURBINA COMPLETA	BOX FULL EXHAUST AIR TURBINE
220B	85120220	4	VITE TBEI M6x10 INOX	SCREW M6x10 - ST. STEEL
221	PE64114	1	SCHEDA S.B.IND UNITA' POTENZA COMPL.	CONTROL CARD POWER
222	VI74004	6	VITE TSP BRUGOLA M3x10	SCREW M3x10
223	CA19105	1	MONTANTE MANTELLO DX S.B.IND	RIGHT SIDE COLUMN
224	85120220	3	VITE TBEI M6x10 INOX	SCREW M6x10 - ST. STEEL
225	CA19045V1	1	MANTELLINO DX STEAM BOX INDUSTRIAL	RIGHT PANEL - S. BOX IND.
226	85120220	7	VITE TBEI M6x10 INOX	SCREW M6x10 - ST. STEEL
227	CA19024	1	COFANO S.BOX IND/PROF (TURBINA) SALDATO	TOP PANEL - VACUUM
228	85120220	4	VITE TBEI M6x10 INOX	SCREW M6x10 - ST. STEEL
229	PG51468	1	PASSATUBO ø80 DETERGENT	MOUTHPIECE FOR DETERGENT TANK
230	PG51458	1	PASSATUBO ø80 WATER	MOUTHPIECE FOR WATER TANK
231	PP00008	2	TAPPO VENTILATO SENZA VALVOLA 80 PASSO 6	CAP FOR FUNNEL
232	VI14042	4	DISTANZIALE X DISCO ASP S/B/MINI L.14 M4	THREADED SPACER M4 L.14
233	VI7121	4	VITE M4X6 TC.TC UNI7687 DIN7985 ISO7047	SCREW M4X6
234	VI7318	4	RONDELLA DENTELLATA ZN ESTERNA Ø4	WASHER Ø4
235	PG5044	1	DISCO SOTTOBASE ASPIRATORE	VACUUM DISC
236	VI71614	4	VITE TSP M4X12 INOX UNI 7688 DIN 965	SCREW M4X12
236A	PG58104	1	BOCCHETTONE 99-60 Ø60 PIANO NERO	FILLER 99-60 Ø60
236B	PG58205	1	GUARNIZIONE SOTTILE	GASKET THIN
236C	FL31803	1	FILTRO Ø59 AISI 304 1800	FILTER Ø59
236D	PG58114	1	MANICOTTO 99 Ø60-42 X 42h	SLEEVE 99 Ø60-42 X 42h
236E	PG58124	1	GUARNIZIONE 99 PIANA NERA	SEAL 99 FLAT BLACK
236F	VI7060	4	VITE AUTOFIL TC TC 4,8 X 25 INOX	SCREW 4,8X25
236G	PG50615	1	TUBO ASPIRAZIONE EVAFLEX Ø50 COMPLETO	HOSE COMPLETE EVAFLEX Ø50
237	CA19055V1	1	COPERCHIO QUADRO ELETTRICO STEAM BOX	COVER FOR ELECTRIC BOX
238	85120220	4	VITE TBEI M6x10 INOX	SCREW M6x10 - ST. STEEL
239	CA34122	1	CESTELLO PORTA LANCE/ACCESSORI SALDATO	BASKET DOR LANCE/ACCESSORIES WELDED
240	CA19137	1	STAFFA AVVOLGI TUBI LINEA STEAM BOX	WINDINGS BRACKET PIPE LINE STAEM BOX
241	VI76006	5	VITE TBEI M6x12 INOX	SCREW M6x12 - ST. STEEL
242	RA35R13	1	MOLLA SAGOMATA CLIP + RONDELLA	SHAPED SPRING CLIP
243	VI71216	1	VITE TCB TC M4x10 INOX UNI7687 DIN 7985	SCREW TCB TC INOX UNI7687 M4x10 DIN 7985
244	TSIN014	1	TESTATA ASPIRATORE	CYLINDER VACUUM CLEANER
245	FS6002	1	FUSTO H260 COMPLETO INOX	COMPLETE STEEL DRUM H260
246	VI90025	1	CHIAVE 55 DA DOTAZIONE X DRENAG.PLASTICA	PLASTIC KEY 55