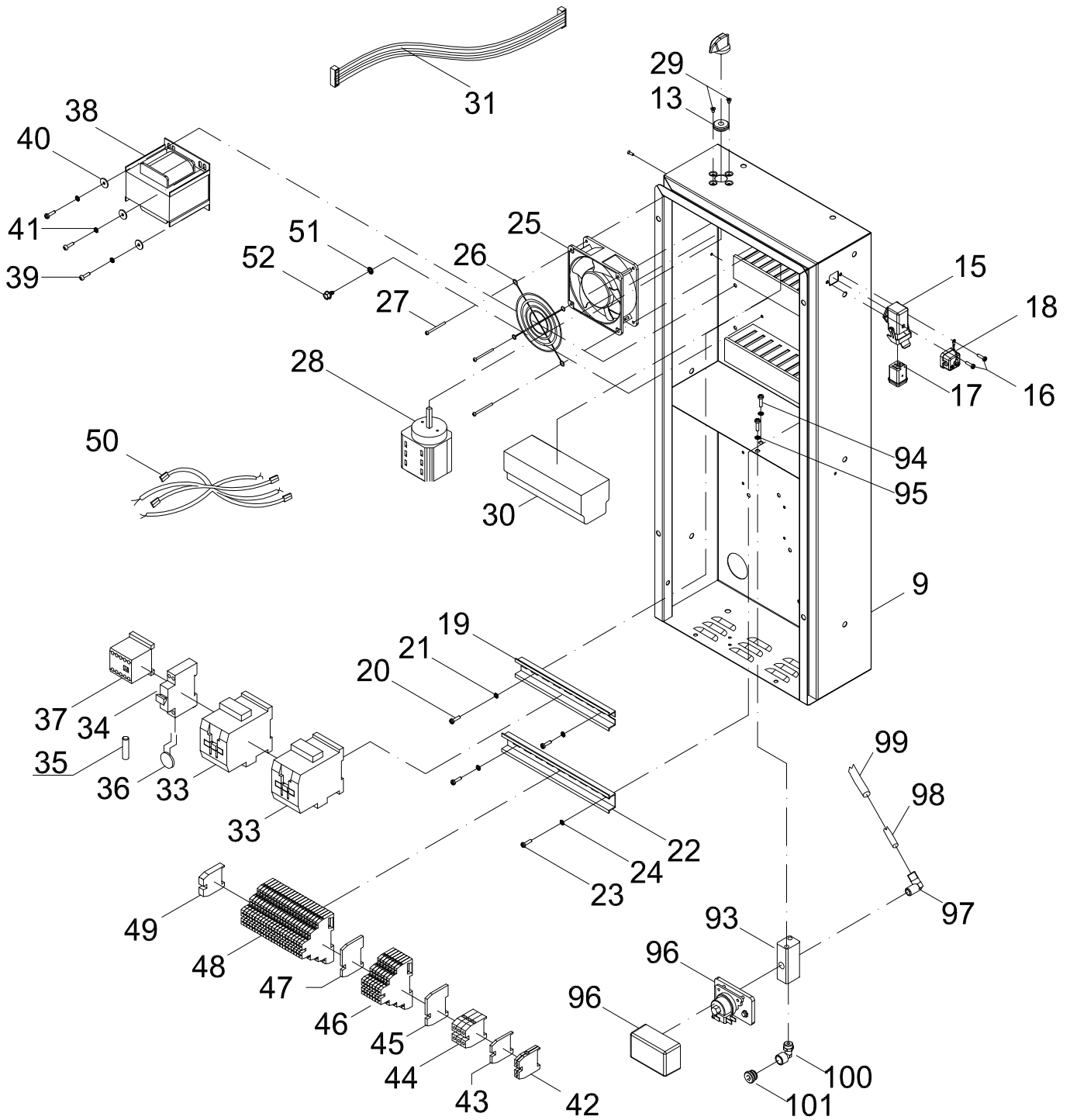
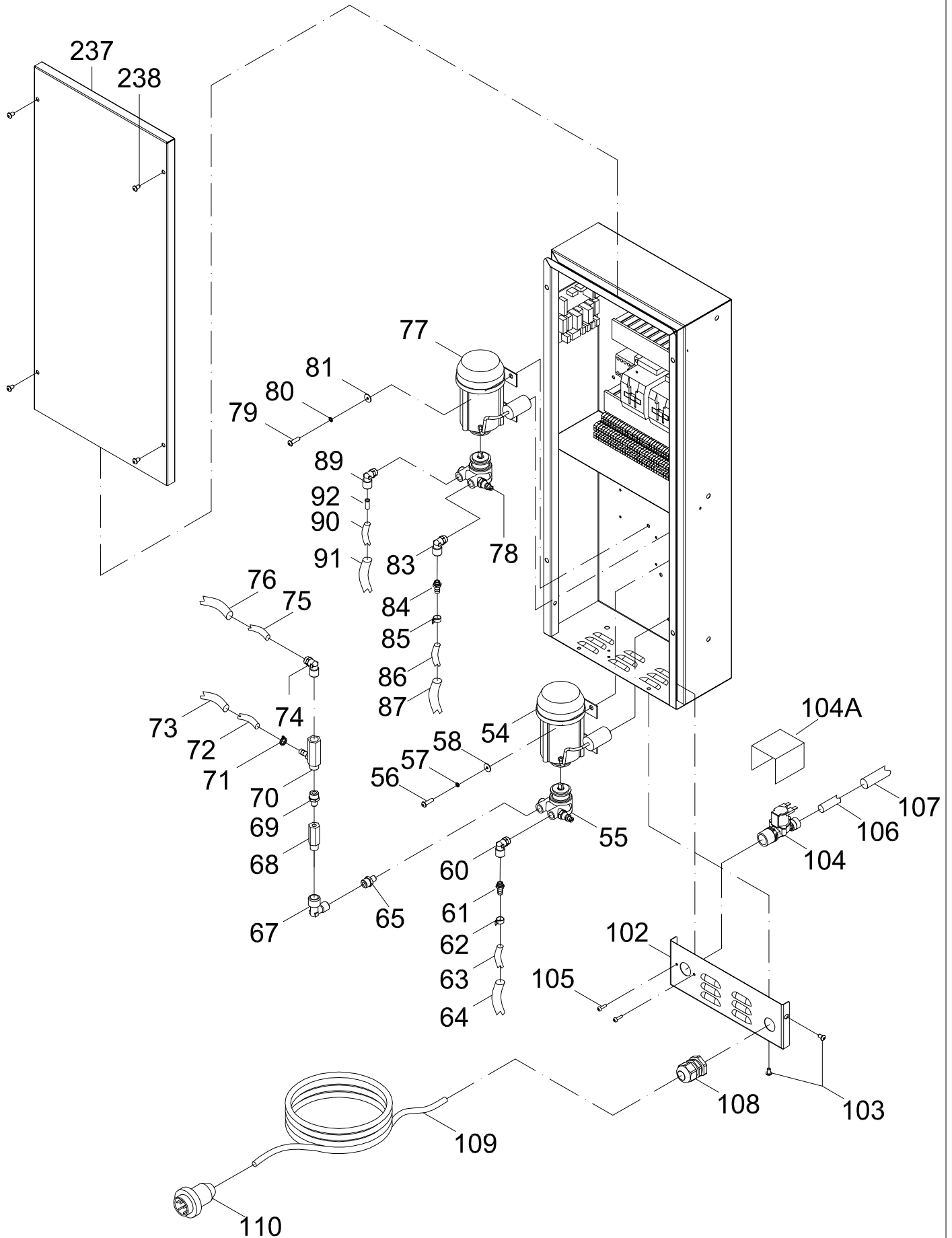
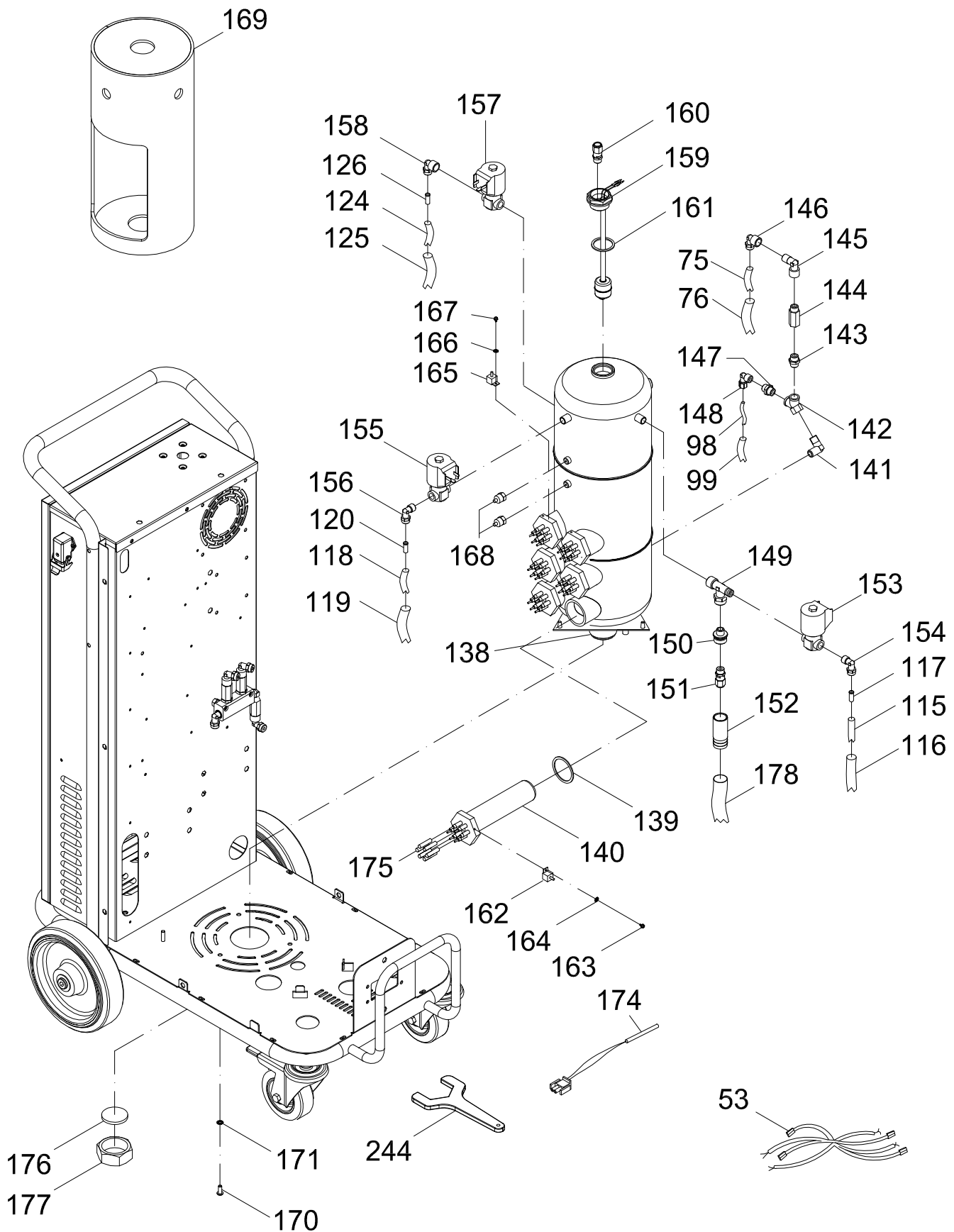


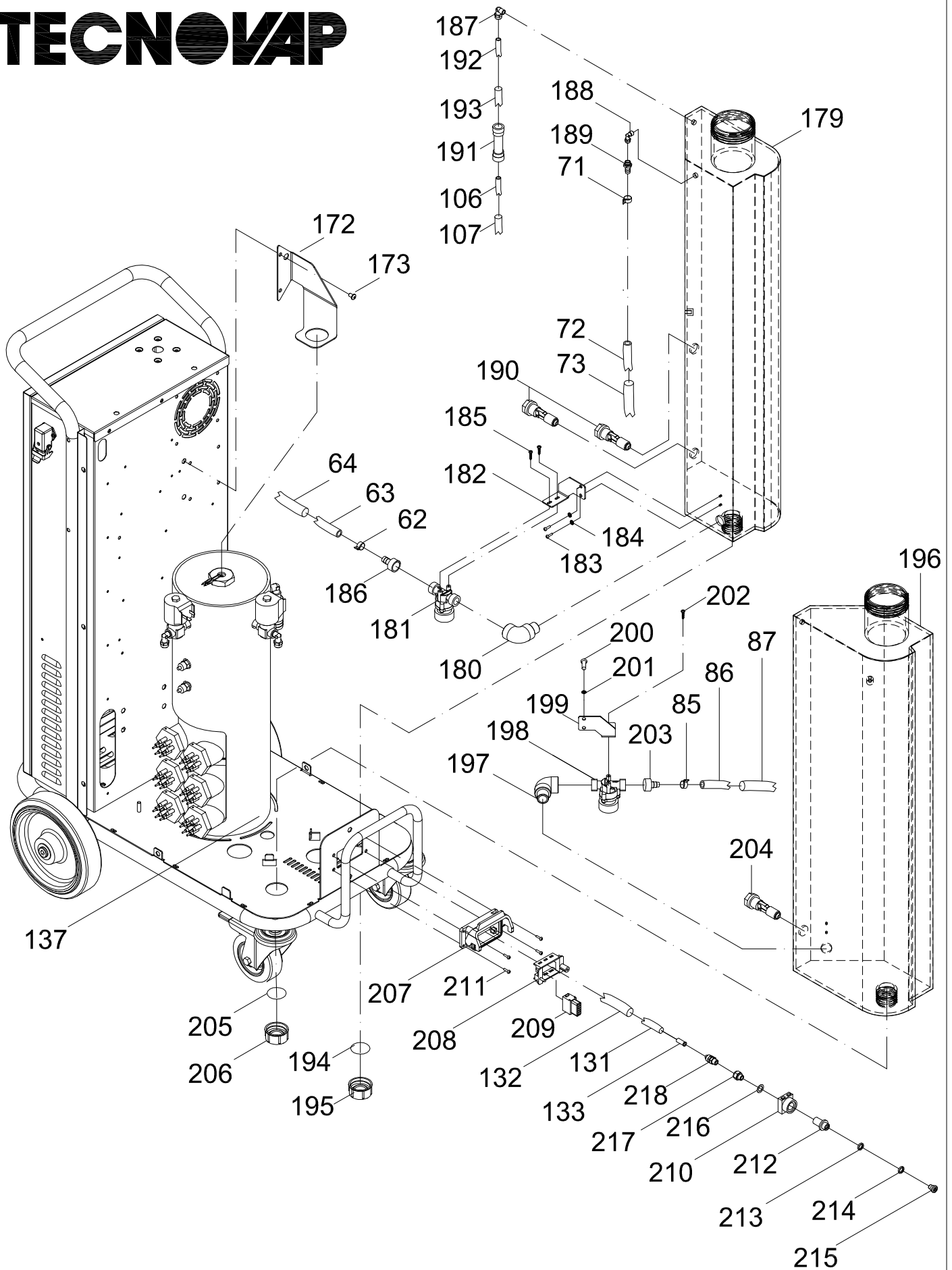
# TECNOVAP

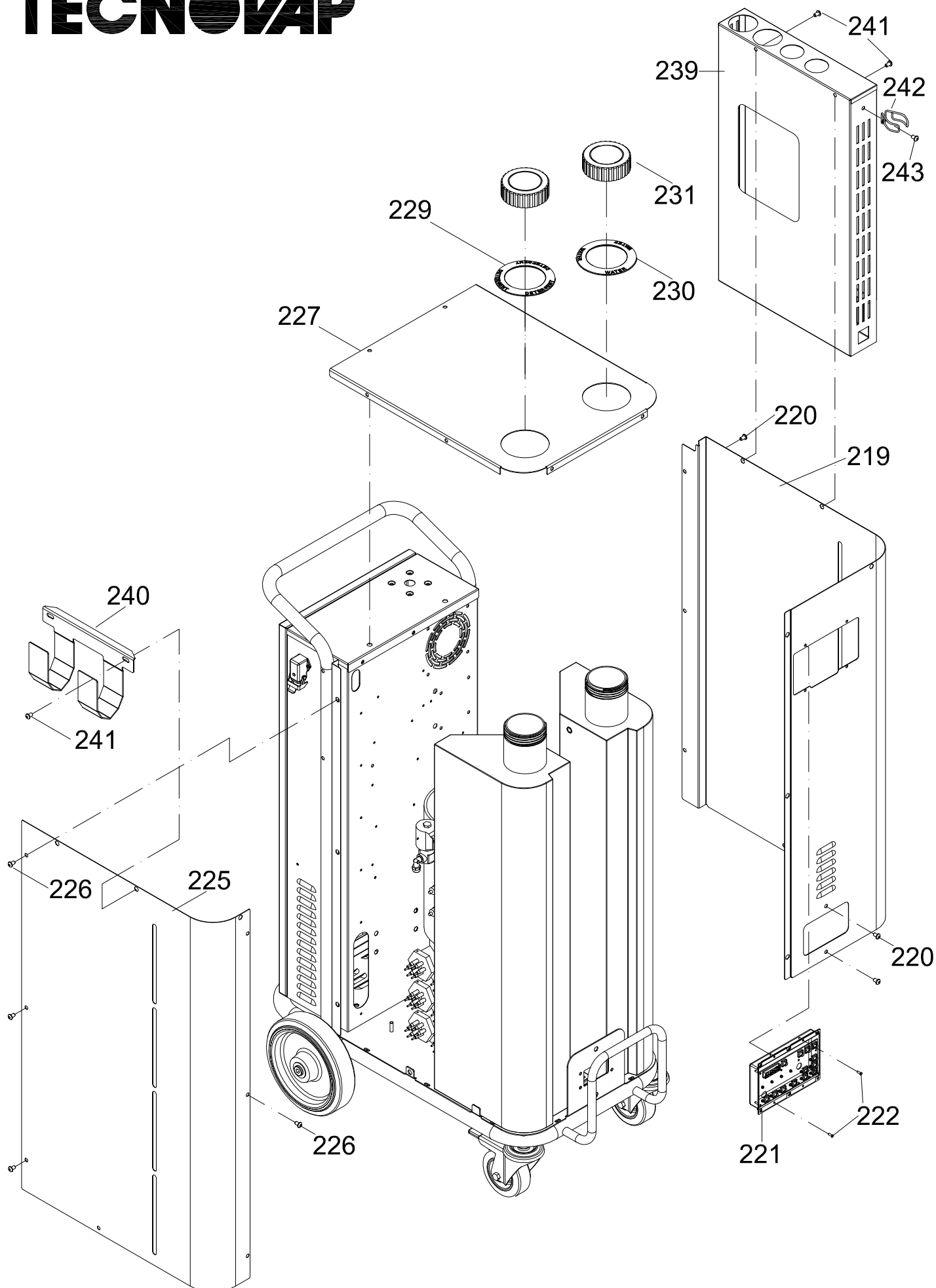


# TECNOVAP









**STEAM BOX INDUSTRIAL 21,6kW cod. 5W0310V1 REV.3 14/10/16**

| Pos. | CODICE    | Q.tà     | DENOMINAZIONE                                  | DENOMINATION                                   |
|------|-----------|----------|--|--|
| 1    | CR40006V2 | 1        | CARRELLO S B INDUSTRIAL / PROF SALDATO         | COMPLETE TROLLEY FOR STEAM BOX IND./PROF.      |
| 2    | PG54098   | 2        | RUOTA ø100 GIREVOLE CON FRENO BLU              | WHEEL Ø100 - SWIVEL W/ BRAKE                   |
| 3    | VI75008   | 2        | RONDELLA M12 INOX                              | WASHER M12 INOX                                |
| 4    | VI71258   | 2        | VITE TCEI M12x30 INOX                          | SCREW M12x30                                   |
| 5    | VI7336    | 2        | RONDELLA INOX M20                              | WASHER INOX M20                                |
| 6    | PG54168   | 2        | RUOTA POSTERIORE ø200 S.BOX BLU                | REAR WHEEL ø 200                               |
| 7    | CR4006E   | 2        | RONDELLA 16x32 INOX                            | WASHER 16x32 INOX                              |
| 8    | RA3163    | 2        | TAPPO 3/8"G m                                  | CAP 3/8"G                                      |
| 9    | CA16095V2 | 1        | QUADRO ELETTRICO STEAM BOX INDUSTRIAL          | ELECTRIC BOX STEAM BOX IND. ST. STEEL          |
| 9A   | Q503A10   | 1        | QUADRO ELETTRICO STEAM BOX INDUSTRIAL COMPLETO | ELECTRIC BOX STEAM BOX IND. ST. STEEL COMPLETE |
| 10   | 85120220  | 2        | VITE TBEI M6x10 INOX                           | SCREW M6x10 - ST. STEEL                        |
| 11   | VI76005   | 2        | VITE TBEI M6x35 INOX                           | SCREW M6x35 - ST. STEEL                        |
| 12   | PG5339    | 1        | PASSATUBO TAPPO ø46x38x11 GAL                  | MOUTHPIECE ø46x38x11                           |
| 13   | PG5308    | 1        | PASSATUBO 3.8-8.5x3-9x3x25                     | MOUTHPIECE 3.8-8.5x3-9x3x25                    |
| 14   | PG5145    | 1        | GUARNIZIONE TUBI PASSAGGIO                     | O-RING FOR ELECTRIC TUBING                     |
| 15   | PE21023   | 1        | CUSTODIA PANNELLO 90° METALLO                  | CONNECTOR COVER 90°                            |
| 16   | VI71473   | 2        | VITE TC TC M3X10 INOX UNI 7687 DIN7985         | SCREW TC TC M3X10                              |
| 17   | PE21053   | 1        | FRUTTO PRESA 7P+T 400V 3~                      | SOCKET CONNECTOR 7P+T 400V 3~                  |
| 18   | PE21021   | 1        | COVER CUSTODIA PANNELLO 90° METALLO            | CONNECTOR CAP                                  |
| 19   | RA3081    | mt 0,17  | SUPPORTO BARRA DIN 35x15                       | SUPPORT 35x15                                  |
| 20   | VI7022    | 2        | RIVETTO ACCIAIO INOX ø4X12                     | RIVET STEEL ø4X12                              |
| 21   | VI7312    | 2        | RONDELLA GREMBIULINA 4x16                      | WASHER 4x16                                    |
| 22   | RA3081    | mt 0,285 | SUPPORTO BARRA DIN 35x15                       | SUPPORT 35x15                                  |
| 23   | VI7022    | 2        | RIVETTO ACCIAIO INOX ø4X12                     | RIVET STEEL ø4X12                              |
| 24   | VI7312    | 2        | RONDELLA GREMBIULINA 4x16                      | WASHER 4x16                                    |
| 25   | PE40009   | 1        | VENTOLA RAFFREDDAMENTO 120x120x38              | COOLING FAN 120x120x38                         |
| 26   | PE40093   | 1        | GRIGLIA PROTEZIONE PER VENTOLA 120x120         | PROTECTION GRILL FOR FAN 120x120               |
| 27   | VI70703   | 4        | VITE M4x50 TC TC                               | SCREW M4x50                                    |
| 28   | IT367F1   | 1        | INTERRUTTORE TRIPOLARE 63A 690V Ith63A         | SWITCH THREE POLE 63A 690V Ith63A              |
| 29   | VI71622   | 2        | VITE TSP TC M5x12 ZN PER PLASTICA              | SCREW M5x12 ZN                                 |
| 30   | PE64C32   | 1        | SCHEDA S.B.MINI UNITA' POTENZA COMPL.          | ELECTRONIC BOARD                               |
| 31   | PE20331   | 1        | FLAT CABLE 20P STEAM BOX IND L.1050            | FLAT CABLE 20P L.1050                          |
| 33   | PE23604   | 2        | CONTATTORE 220/230/50 230/240/60 45A           | CONTACTOR 220/230/50 230/240/60 45A            |
| 34   | PE2068    | 1        | PORTAFUSIBILE SEZ.1P+N 20A                     | FUSE HOLDER 1P+N 20A                           |
| 35   | PE20676   | 1        | FUSIBILE 2A 400V 10,3X38                       | FUSE 2A 400V 10,3X38                           |
| 36   | PE27503   | 1        | VARISTORE S20K300                              | VARISTOR                                       |
| 37   | PE2351    | 1        | CONTATTORE POTENZA 230/50-60Hz 25A             | CONTACTOR 230/50-60Hz 25A                      |
| 38   | PE20517   | 1        | AUTO. 400VA 400/230V+TRASFO.10VA 400/12V       | SELFTRANSFORMER                                |
| 39   | VI71615   | 4        | VITE TC M4X12 ZN UNI 7687 DIN 7985             | SCREW M4X12                                    |
| 40   | VI7314    | 4        | RONDELLA GREMBIULINA ZN 4x12                   | WASHER 4X12                                    |
| 41   | VI7318    | 4        | RONDELLA DENTELLATA ZN ESTERNA ø4              | LOCK WASHER ø4                                 |
| 42   | PE20025   | 1        | MORSETTO DI TERRA 10mmq M10/10                 | CONNECTOR FOR EARTHING 10mmq M10/10            |
| 43   | PE20035   | 1        | PIASTRINA TERMINALE PER MORSETTO M10/10        | TERMINAL PLATE FOR CONNECTOR M10/10            |
| 44   | PE20015   | 3        | MORSETTO PER STEAM BOX 10mmq                   | CONNECTOR 10mmq                                |
| 45   | PE20045   | 1        | SEPARATORE DI CIRCUITO PER MORSETTO            | SEPARATOR FOR CONNECTOR                        |
| 46   | PE20005   | 7        | MORSETTO PER STEAM BOX 4mmq                    | CONNECTOR 4mmq                                 |
| 47   | PE20045   | 1        | SEPARATORE DI CIRCUITO PER MORSETTO            | SEPARATOR FOR CONNECTOR                        |
| 48   | PE20005   | 22       | MORSETTO PER STEAM BOX 4mmq                    | CONNECTOR 4mmq                                 |
| 49   | PE20055   | 1        | BLOCCHETTO DI ARRESTO PER MORSETTO M10/10      | STOPPER FOR CONNECTOR M10/10                   |
| 50   | PE53AX0   | 1        | CABLAGGIO X1 COMPLETO                          | COMPLETE WIRING X1                             |
| 51   | VI73036   | 1        | RONDELLA DENTELLATA INOX M6                    | LOCK WASHER M6                                 |
| 52   | VI76012   | 1        | DADO M6 INOX                                   | NUT M6 INOX                                    |
| 53   | PE21015V2 | 1        | CABLAGGIO X2 S.B.IND 10,8-36KW                 | WIRING X2                                      |
| 54   | PE21654   | 1        | MOTORE A INDUZIONE 165W 220/230V 50/60Hz       | MOTOR 165W 220/230V 50/60Hz                    |
| 55   | PE20467   | 1        | POMPA VOLUMETRICA 100L/H                       | PUMP 100LH                                     |
| 56   | VI81004   | 4        | VITE M6x25 BUTTON HEAD INOX                    | SCREW M6x25                                    |
| 57   | VI73036   | 4        | RONDELLA DENTELLATA INOX M6                    | LOCK WASHER M6                                 |
| 58   | 85140900  | 4        | RONDELLA PIANA INOX 6x18                       | WASHER 6x18                                    |
| 60   | RA31607   | 1        | RACCORDO GOMITO 3/8"M CIL - 3/8"F CIL          | ELBOW VALVE 3/8"M CIL - 3/8"F CIL              |
| 61   | RO69129   | 1        | PORTAGOMMA DIRITTO 3/8"M PG9                   | STRAIGHT HOSE 3/8"M PG9                        |
| 62   | PG5200    | 2        | FASCETTA CLIC 12-14/6 (135)                    | CLAMP  |
| 63   | RA33611   | mt.0,79  | TUBO TRASPARENTE RETINATO 14x8                 | TRASPARENT BRAIDED TUBE 14X8                   |
| 64   | PG53864   | mt.0,71  | CALZA VETRO SILICONE ROSSO øi 16               | SILICON GLASS SHIELD RED øi 16                 |
| 65   | RO52K12   | 1        | RACCORDO DIRITTO 1/4"M-3/8"M CONICO            | STRAIGHT VALVE 1/4"M-3/8"M CON                 |
| 67   | RA31486   | 1        | RACCORDO GOMITO 1/4"F - 1/4"F                  | ELBOW VALVE 1/4"F - 1/4"F                      |
| 68   | RA34088   | 1        | VALVOLA UNIDIREZIONALE MOLLA DURA 1/4"         | NON RETURN VALVE - HEAVY SPRING 1/4            |
| 69   | RA32017   | 1        | RACCORDO 3/8"G f 1/4"G m                       | REDUCTION 3/8"G 1/4"G                          |
| 70   | PE2425    | 1        | DEAREATORE PER ET3000                          | BLEEDER VALVE FOR PUMP                         |
| 71   | PG5200    | 2        | FASCETTA CLIC 12-14/6 (135)                    | CLAMP  |
| 72   | RA33611   | mt.1,34  | TUBO TRASPARENTE RETINATO 14x8                 | TRASPARENT BRAIDED TUBE 14X8                   |
| 73   | PG53864   | mt.1,14  | CALZA VETRO SILICONE ROSSO øi 16               | SILICON GLASS SHIELD RED øi 16                 |
| 74   | RA31815   | 1        | RACCORDO A GOMITO 6x8-3/8"G m                  | ELBOW VALVE 6x8 3/8"G m                        |
| 75   | RA3201    | mt.0,46  | TUBO TEFLON ø6x8                               | TEFLON HOSE ø6x8                               |
| 76   | PG53831   | mt.0,36  | CALZA VETRO SILICONE ROSSO øi 8                | SILICON GLASS SHIELD RED øi 8                  |
| 77   | PE21654   | 1        | MOTORE A INDUZIONE 165W 220/230V 50/60Hz       | MOTOR 165W 220/230V 50/60Hz                    |
| 78   | PE20477   | 1        | POMPA VOLUMETRICA 50L/H                        | PUMP 50LH                                      |
| 79   | VI81004   | 4        | VITE M6x25 TE ZN                               | SCREW M6x25                                    |

|      |           |          |  |   |
|------|-----------|----------|--|---|
| 80   | VI73036   | 4        | RONDELLA DENTELLATA INOX M6                            | LOCK WASHER M6                                  |
| 81   | 85140900  | 4        | RONDELLA PIANA INOX 6x18                               | WASHER 6x18                                     |
| 83   | RA31607   | 1        | RACCORDO GOMITO 3/8" M CIL - 3/8" F CIL                | ELBOW VALVE 3/8" M CIL - 3/8" F CIL             |
| 84   | RO69129   | 1        | PORTAGOMMA DIRITTO 3/8" M PG9                          | STRAIGHT HOSE 3/8" M PG9                        |
| 85   | PG5200    | 2        | FASCETTA CLIC 12-14/6 (135)                            | CLAMP   |
| 86   | RA33611   | mt.0,74  | TUBO TRASPARENTE RETINATO 14x8                         | TRASPARENT BRAIDED TUBE 14X8                    |
| 87   | PG53864   | mt.0,63  | CALZA VETRO SILICONE ROSSO Øi 16                       | SILICON GLASS SHIELD RED Øi 16                  |
| 89   | RG55K21   | 1        | RACCORDO GOMITO 3/8" M OGIVA Ø10                       | ELBOW FITTING 3/8" M OGIVA Ø10                  |
| 90   | RA33107   | mt. 0,61 | TUBO TEFLON Ø6x10                                      | TEFLON HOSE Ø 6x10                              |
| 91   | PG53807   | mt. 0,51 | CALZA VETRO SILICONE ROSSO Øi 10                       | SILICON GLASS SHIELD RED Øi 10                  |
| 92   | VI42013   | 2        | BOCCOLA DI SUPPORTO Ø6,2                               | BUSH SUPPORT Ø6,2                               |
| 93   | RA30304   | 1        | BLOCCHETTO X PRESSOSTATO STEAM BOX IND                 | BLOCK FOR PRESSURE STEAM                        |
| 94   | 85120220  | 2        | VITE M6X10 BUTTON HEAD INOX                            | SCREW M6X10                                     |
| 95   | VI73036   | 2        | RONDELLA DENTELLATA INOX M6                            | LOCK WASHER M6                                  |
| 96   | PE24123   | 1        | PRESSOSTATO 16A 9-15bar BOX IP54 1/8" M                | PRESSURE SWITCH 16A 9-15 bar BOX IP54           |
| 97   | RA31556   | 1        | RACCORDO GOMITO 1/8" m-6/4 (OGIVA)                     | ELBOW FITTING 1/8" M-6/4 (OGIVA)                |
| 98   | RA3210    | mt. 0,62 | TUBO TEFLON Ø4x2                                       | TEFLON HOSE Ø4x2                                |
| 99   | PG5338    | mt. 0,52 | TUBO GOMMA EPDM NERO Ø7x10                             | EPDM HOSE Ø7x10                                 |
| 100  | RA3147    | 1        | RACCORDO GOMITO 1/8" F-1/8" M                          | ELBOW FITTING 1/8" F-1/8" M                     |
| 101  | RA3168    | 1        | TAPPO PER RACCORDO 1/8" M                              | BRASS CAP 1/8" M                                |
| 102  | CA16200V1 | 1        | STAFFA INGR. ALIMENT.S/B.IND/PROF xISO25               | SUPPORT MOUNT FOR POWER CORD                    |
| 103  | 85120220  | 4        | VITE M6X10 BUTTON HEAD INOX                            | SCREW M6X10                                     |
| 104  | PE23370   | 1        | ELETTROVALVOLA IN 3/4" M OUT J/G 8                     | SOLENOID VALVE 3 / 4 OUT J M / G 8              |
| 104A | PP23370   | 1        | COPERCHIO ISOLANTE IN MYLAR SU RETE IDRICA             | COVER INSULATION IN MYLAR                       |
| 105  | VI71216   | 2        | VITE TC TC M4X10 INOX UNI7687 DIN7985                  | SCREW M4X10                                     |
| 106  | RA33008   | mt.1,00  | TUBO POLIURETANO BLU Ø6x8                              | BLUE POLYURETHANE HOSE Ø6X8                     |
| 107  | PG53831   | mt.0,95  | CALZA VETRO SILICONE ROSSO Øi 8                        | SILICON GLASS SHIELD RED Øi 8                   |
| 108  | PR00014   | 1        | PRESSACAVO OTT/NIC M32x1,5 SER.21mm                    | CABLEPRESS M32                                  |
| 109  | PE21093   | mt.8,50  | CAVO ALIMENTAZIONE                                     | POWER CORD                                      |
| 110  | PE32019   | 1        | SPINA 3P+T 400V 32A                                    | PLUG  |
| 111  | RA20008   | 1        | COLLETTORE 76x40x20 2x1/4" F-1/4" F PASSANTI           | COLLECTOR                                       |
| 112  | RA31875   | 2        | RACCORDO DIRITTO 1/4" G m x 1/4" G m                   | STRAIGHT VALVE 1/4" G x 1/4" G                  |
| 113  | RA34094   | 2        | VALVOLA NON RITORNO MOLLA DEBOLE                       | NON RETURN VALVE - LIGHT SPRING                 |
| 114  | RA32028   | 2        | RACCORDO GOMITO 6x10 1/4" G f                          | ELBOW VALVE 6x10 1/4" G                         |
| 115  | RA33107   | mt. 0,47 | TUBO TEFLON Ø6x10                                      | TEFLON HOSE Ø6x10                               |
| 116  | PG53807   | mt. 0,42 | CALZA VETRO SILICONE ROSSO Øi 10                       | SILICON GLASS SHIELD RED Øi 10                  |
| 117  | VI42013   | 2        | BOCCOLA DI SUPPORTO Ø6,2                               | BUSH SUPPORT Ø6,2                               |
| 118  | RA33107   | mt. 0,62 | TUBO TEFLON Ø6x10                                      | TEFLON HOSE Ø 6X10                              |
| 119  | PG53807   | mt. 0,54 | CALZA VETRO SILICONE ROSSO Øi 10                       | SILICON GLASS SHIELD RED Øi 10                  |
| 120  | VI42013   | 2        | BOCCOLA DI SUPPORTO Ø6,2                               | BUSH SUPPORT Ø6,2                               |
| 121  | RA31474   | 1        | RACCORDO GOMITO 1/4" Mx1/4" M                          | ELBOW VALVE 1/4" G m x 1/4" G m                 |
| 122  | RA34094   | 1        | VALVOLA NON RITORNO MOLLA DEBOLE                       | NON RETURN VALVE - LIGHT SPRING                 |
| 123  | RA32028   | 1        | RACCORDO GOMITO 6x10 1/4" G f                          | ELBOW VALVE 6x10 1/4" G                         |
| 124  | RA33107   | mt. 0,68 | TUBO TEFLON Ø6x10                                      | TEFLON HOSE Ø 6X10                              |
| 125  | PG53807   | mt. 0,62 | CALZA VETRO SILICONE ROSSO Øi 10                       | SILICON GLASS SHIELD RED Øi 10                  |
| 126  | VI42013   | 2        | BOCCOLA DI SUPPORTO Ø6,2                               | BUSH SUPPORT Ø6,2                               |
| 127  | RA31474   | 1        | RACCORDO GOMITO 1/4" Mx1/4" M                          | ELBOW VALVE 1/4" G m x 1/4" G m                 |
| 128  | RA34084   | 1        | VALVOLA NON RITORNO MOLLA DURA                         | NON RETURN VALVE - LIGHT SPRING                 |
| 129  | RA32028   | 1        | RACCORDO GOMITO 6x10 1/4" G f                          | ELBOW VALVE 6x10 1/4" G                         |
| 130  | RA32008   | 1        | RACCORDO DIRITTO 6x10 1/4" G f                         | VALVE 6x10 1/4" G                               |
| 131  | RA33107   | mt. 0,78 | TUBO TEFLON Ø6x10                                      | TEFLON HOSE Ø 6X10                              |
| 132  | PG53807   | mt. 0,68 | CALZA VETRO SILICONE ROSSO Øi 10                       | SILICON GLASS SHIELD RED Øi 10                  |
| 133  | VI42013   | 2        | BOCCOLA DI SUPPORTO Ø6,2                               | BUSH SUPPORT Ø6,2                               |
| 134  | RA20014   | 2        | DISTANZIALE Ø12 LUNGH. 7 mm FORO Ø4,5                  | DISTANCE Ø12 LENGHT. 7 mm HOLE Ø4,5             |
| 135  | VI71695   | 2        | VITE M4x35 TC TC ZN                                    | SCREW M4x35                                     |
| 136  | VI7318    | 2        | RONDELLA DENTELLATA ZN ESTERNA Ø4                      | LOCK WASHER M4                                  |
| 137  | 09W5300   | 1        | CALDAIA COMPLETA                                       | BOILER COMPLETE                                 |
| 138  | 99W5300   | 1        | CALDAIA STEAM BOX IND. C/RESIST. 21,6kW                | BOILER W/ HEATING ELEMENT 21,6kW                |
| 139  | PG51396   | 6        | GUARNIZIONE RAME Ø42x50x1,5                            | COPPER GASKET Ø42x50x1,5                        |
| 140  | PE25226   | 6        | RESISTENZA 230V 3600W 1" ¼                             | HEATING ELEMENT 230V 3600W                      |
| 141  | RA31473   | 1        | CURVA 90° 1/4" M - 1/4" M ANTICALCARE                  | 90° ELBOW 1/4" M - 1/4" M SCALE                 |
| 142  | RA31014   | 1        | RACCORDO A Y 1/4" G fx1/4" G fx1/4" G f                | Y VALVE 1/4" G fx1/4" G fx1/4" G f              |
| 143  | RA31875   | 1        | RACCORDO DIRITTO 1/4" G m x 1/4" G m                   | STRAIGHT VALVE 1/4" G x 1/4" G                  |
| 144  | RA34084   | 1        | VALVOLA NON RITORNO MOLLA DURA                         | NON RETURN VALVE - LIGHT SPRING                 |
| 145  | RA31044   | 1        | RACCORDO GOMITO 1/4" G m x 1/4" G f                    | ELBOW VALVE 1/4" G m x 1/4" G f                 |
| 146  | RA31675   | 1        | RACCORDO GOMITO 6x8 1/4" G f                           | ELBOW VALVE 6x8 1/4" G f                        |
| 147  | RA30704   | 1        | RIDUZIONE 1/4" G m 1/8" G f                            | REDUCTION 1/4" G 1/8" G                         |
| 148  | RA3155    | 1        | RACCORDO GOMITO 1/8" G m x 4/2                         | ELBOW VALVE 1/8" G m x4/2                       |
| 149  | RA31037   | 1        | RACCORDO A T 1/4" G fx1/4" G fx1/4" G m                | 3-WAYS VALVE 1/4" G fx1/4" G fx1/4" G m         |
| 150  | RA31874   | 1        | RACCORDO DIRITTO 1/4" G mx1/4" G fxM22                 | STRAIGHT VALVE 1/4" G mx1/4" G fxM22            |
| 151  | RA34164   | 1        | VALVOLA SICUREZZA 97/23CE 12 bar 1/4" M KALREZ         | SAFETY VALVE 97/23CE 12 bar 1/4" M KALREZ       |
| 152  | RA30194   | 1        | PORTAGOMMA M22x1,5xØ25 L.60                            | TUBE COUPLER M22x1,5xØ25 L.60                   |
| 153  | PE23014   | 1        | ELETTROVAL. SERIE99 PTFE DN 1.5 1/4" G fx1/4" G f      | SOLENOID VALVE 99 DN 1.5 1/4" G fx1/4" G f      |
| 154  | RA32018   | 1        | RACCORDO GOMITO 6x10 1/4" G m                          | ELBOW VALVE 6x10 1/4" G m                       |
| 155  | PE23024   | 1        | ELETTROVAL. SERIE99 PTFE DN 2.8 20VA 1/4" G fx1/4" G f | SOLENOID VALVE 99 DN 2.8 20VA 1/4" G fx1/4" G f |
| 156  | RA32018   | 1        | RACCORDO GOMITO 6x10 1/4" G m                          | ELBOW VALVE 6x10 1/4" G m                       |
| 157  | PE23014   | 1        | ELETTROVAL. SERIE99 PTFE DN 1.5 1/4" G fx1/4" G f      | SOLENOID VALVE 99 DN 1.5 1/4" G fx1/4" G f      |
| 158  | RA32018   | 1        | RACCORDO GOMITO 6x10 1/4" G m                          | ELBOW VALVE 6x10 1/4" G m                       |
| 159  | RA32815   | 1        | TAPPO OTTONE C/SONDA C.L.mm280+SIC.15bar               | BRASS CAP LVL CONTACT FLOAT L.280               |
| 160  | RA34067   | 1        | VALVOLA SICUREZZA 97/23CE > 50 15 bar 1/4" G m         | SAFETY VALVE 97/23CE > 50 15 bar 1/4" G m       |



|     |           |          |  |   |
|-----|-----------|----------|--|---|
| 161 | PG51033   | 1        | GUARNIZIONE TEFLON Ø33.2x40x2                    | TEFLON GASKET Ø33,2x40x2                |
| 162 | PE2344    | 6        | TERMOSTATO 275° RIPRISTINO                       | RESET THERMOSTAT 275°                   |
| 163 | VI7130    | 6        | VITE AUTOFILETTANTE NICHELATA TC TC 3.5x9.5      | SCREW 3,5x9,5                           |
| 164 | VI7318    | 6        | RONDELLA DENTELLATA M4                           | LOCK WASHER M4                          |
| 165 | PE23447   | 2        | TERMOSTATO 235° RIPRISTINO R.A.                  | THERMOSTAT 235°                         |
| 166 | VI7318    | 2        | RONDELLA DENTELLATA M4                           | LOCK WASHER M4                          |
| 167 | VI7130    | 2        | VITE AUTOFILETTANTE NICHELATA TC TC 3.5x9.5      | SCREW 3,5x9,5                           |
| 168 | PE2334    | 2        | TERMOSTATO 175° RIPRISTINO                       | RESET THERMOSTAT 175°                   |
| 169 | IS40215   | 1        | ISOLANTE CALDAIA STEAM BOX INDUSTRIAL H.590      | BOILER INSULATION H590                  |
| 170 | 85120230  | 3        | VITE TBEI ISO 7380 M6x16 INOX                    | SCREW M6x16                             |
| 171 | VI73036   | 3        | RONDELLA DENTELLATA INOX M6                      | LOCK WASHER M6                          |
| 172 | CA16294   | 1        | STAFFA FERMA CALDAIA INDUSTRIAL                  | BRACKET STOPS INDUSTRIAL BOILER         |
| 173 | 85120220  | 2        | VITE TBEI M6x10 INOX                             | SCREW M6x10 - ST. STEEL                 |
| 174 | PE20532   | 1        | TERMORESISTENZA PT1000 L. 200 COMPL.             | THERMORESISTANCE PT1000 L.200 COMPL.    |
| 175 | PG53827   | mt. 2,16 | CALZA VETRO SILICONE ROSSO Øi 6                  | SILICON GLASS SHIELD RED Øi 6           |
| 176 | PG52084   | 1        | GUARNIZIONE MICROFLON Ø29,5x49,5x2               | GASKET Ø29,5x49,5x2                     |
| 177 | RA31634   | 1        | TAPPO DRENAGGIO 1 1/2"G f                        | BOILER DRAIN CAP 1 1/2"G f              |
| 178 | PG52005   | mt. 0,55 | TUBO SILICONE NERO 25x28                         | SILICON HOSE 25x28                      |
| 179 | SB1265XV1 | 1        | SERBATOIO ACQUA STEAM BOX INDUSTRIAL FORATO      | WATER TANK                              |
| 180 | PP27013   | 1        | RACCORDO GOMITO 1/2" M-1/2" F PLASTICA           | PLASTIC ELBOW FITTING 1/2"M-1/2"F       |
| 181 | FL12512V1 | 1        | FILTRO ISPEZIONABILE 307 MICRONS 1/2M            | INSPECTIONABLE FILTER                   |
| 182 | CA17013   | 1        | STAFFA FILTRO ISPEZIONABILE S/B/PROF             | BRACKET FILTER INSPECT                  |
| 183 | VI71216   | 2        | VITE TC TC M4X10 INOX UNI7687 DIN7985            | SCREW M4X10                             |
| 184 | VI7318    | 2        | RONDELLA DENTELLATA ZN ESTERNA Ø4                | LOCK WASHER Ø4                          |
| 185 | VI71298   | 2        | VITE AUTOFIL. TC TC. 3,9X13 INOX 7981            | SCREW 3,9X13                            |
| 186 | PP27003   | 1        | PORTAGOMMA DIRITTO 1/2" F PG10 PLASTICA          | BARBED FITTING 1/2" FEMALE- Ø 12X9      |
| 187 | RA31058   | 1        | RACCORDO GOMITO 6x8-1/8" M GIREVOLE I/R          | SWIVEL ELBOW FITTING 3/8" MALE - Ø12X9  |
| 188 | RA3147    | 1        | RACCORDO GOMITO 1/8" F-1/8" M                    | ELBOW FITTING 1/8" F-1/8" M             |
| 189 | RA26021   | 1        | PORTAGOMMA DIRITTO 1/8" M PG9                    | BARBED FITTING 1/8" M Ø9                |
| 190 | PE2327    | 2        | INTERRUTTORE REED GALLEGG.ORIZZONTALE            | HORIZONTAL TANK FLOAT                   |
| 191 | PP28003   | 1        | RACCORDO DIRITTO ANTIREFLUSSO I/R Ø8             | ANTIREFLUX FITTING Ø8                   |
| 192 | RA33008   | mt.0,10  | TUBO POLIURETANO BLU Ø6x8                        | BLUE POLYURETHANE HOSE Ø12X9            |
| 193 | PG53831   | mt.0,06  | CALZA VETRO SILICONE ROSSO Øi 8                  | SILICON GLASS SHIELD RED Øi 8           |
| 194 | PG35503   | 1        | GUARNIZIONE Ø35,5mm SP 3mm                       | GASKET                                  |
| 195 | RA3320    | 1        | TAPPO NERO SCARICO SERBATOIO (HI TECH)           | DRAIN CAP WATER / DET. TANK             |
| 196 | SB126DXV1 | 1        | SERBATOIO DETERGENTE STEAM BOX INDUSTRIAL FORATO | DETERGENT TANK                          |
| 197 | PP27013   | 1        | RACCORDO GOMITO 1/2" M-1/2" F PLASTICA           | PLASTIC ELBOW FITTING 1/2"M-1/2"F       |
| 198 | FL12512V1 | 1        | FILTRO ISPEZIONABILE 307 MICRONS 1/2M            | INSPECTIONABLE FILTER                   |
| 199 | CA17013   | 1        | STAFFA FILTRO ISPEZIONABILE S/B/PROF             | BRACKET FILTER INSPECT                  |
| 200 | VI71216   | 2        | VITE TC TC M4X10 INOX UNI7687 DIN7985            | SCREW M4X10 INOX                        |
| 201 | VI7318    | 2        | RONDELLA DENTELLATA ZN ESTERNA Ø4                | LOCK WASHER Ø4                          |
| 202 | VI71298   | 2        | VITE AUTOFIL. TC TC. 3,9X13 INOX 7981            | SCREW 3,9X13                            |
| 203 | PP27003   | 1        | PORTAGOMMA DIRITTO 1/2" F PG10 PLASTICA          | BARBED FITTING 1/2" FEMALE- Ø 12X9      |
| 204 | PE2327    | 1        | INTERRUTTORE REED GALLEGG.ORIZZONTALE            | HORIZONTAL TANK FLOAT                   |
| 205 | PG35503   | 1        | GUARNIZIONE Ø35,5mm SP 3mm                       | GASKET                                  |
| 206 | RA3320    | 1        | TAPPO NERO SCARICO SERBATOIO (HI TECH)           | DRAIN CAP WATER / DET. TANK             |
| 207 | PE30142   | 1        | CUSTODIA DA PANNELLO CON LEVA                    | CONNECTOR COVER W/ SNAP                 |
| 208 | PE30015   | 1        | TELAIO INCERNERIATO 3 MODULI PER CUSTODIA        | FRAME FOR 3 CONNECTORS                  |
| 209 | PE30035   | 1        | FRUTTO 1 MODULO PER CONTATTO F 12P               | CONNECTOR FOR 12P CONTACT               |
| 210 | PP00195   | 1        | BLOCCHETTO ISOLANTE ALTA TEMP. PER UGELLO        | INSULATION BLOCK FOR NOZZLE             |
| 211 | VI71619   | 4        | VITE TC TC M4X16 INOX UNI7687 DIN7985A           | SCREW M4x16                             |
| 212 | 7200124   | 1        | ATTACCO PER UGELLO MASCHIO 1/8" F M8x1 F         | COUPLER FOR MALE NOZZLE                 |
| 213 | PG51004   | 1        | GUARNIZIONE TEFLON + OR SILICONE                 | TEFLON GASKET + OR SILICON              |
| 214 | PG51428   | 1        | OR 9,25x1,78 VITON FLUORAZ                       | O-RING 9,25x1,78 VITON FLUORAZ          |
| 215 | 7200134   | 1        | UGELLO MASCHIO M8x1 m                            | MALE NOZZLE M8X1 m                      |
| 216 | VI7339    | 1        | RONDELLA DI SPESSORAMENTO 10x16x0.5              | WASHER 10X16X0,5                        |
| 217 | RA30724   | 1        | RIDUZIONE 1/4" G f 1/8" G m                      | REDUCTION 1/4" G f 1/8" G m             |
| 218 | RA32008   | 1        | RACCORDO DIRITTO 6x10 1/4" G m                   | STRAIGHT VALVE 6x10 1/4" G m            |
| 219 | CA19033V1 | 1        | MANTELLINO SX STEAM BOX INDUSTRIAL               | LEFT PANEL - S. BOX IND.                |
| 220 | 85120220  | 6        | VITE TBEI M6x10 INOX                             | SCREW M6x10 - ST. STEEL                 |
| 221 | PE64115   | 1        | SCHEDA S.B.IND UNITA' POTENZA COMPL.             | CONTROL CARD POWER                      |
| 222 | VI71312   | 4        | VITE TCBEI M3X12 ISO7380 INOX                    | SCREW M3x12                             |
| 223 | CA19105   | 1        | MONTANTE MANTELLO DX S.B.IND                     | RIGHT SIDE COLUMN                       |
| 224 | 85120220  | 3        | VITE TBEI M6x10 INOX                             | SCREW M6x10 - ST. STEEL                 |
| 225 | CA19045V1 | 1        | MANTELLINO DX STEAM BOX INDUSTRIAL               | RIGHT PANEL - S. BOX IND.               |
| 226 | 85120220  | 7        | VITE TBEI M6x10 INOX                             | SCREW M6x10 - ST. STEEL                 |
| 227 | CA19018   | 1        | COFANO S.BOX IND/PROF (NO ASP.) SALDATO          | TOP PANEL - NO VACUUM                   |
| 228 | 85120220  | 4        | VITE TBEI M6x10 INOX                             | SCREW M6x10 - ST. STEEL                 |
| 229 | PG51468   | 1        | PASSATUBO Ø80 DETERGENTE                         | MOUTHPIECE FOR DETERGENT TANK           |
| 230 | PG51458   | 1        | PASSATUBO Ø80 WATER                              | MOUTHPIECE FOR WATER TANK               |
| 231 | PP00008   | 2        | TAPPO VENTILATO SENZA VALVOLA 80 PASSO 6         | CAP FOR FUNNEL                          |
| 237 | CA19055V1 | 1        | COPERCHIO QUADRO ELETTRICO STEAM BOX             | COVER FOR ELECTRIC BOX                  |
| 238 | 85120220  | 4        | VITE TBEI M6x10 INOX                             | SCREW M6x10 - ST. STEEL                 |
| 239 | CA34122   | 1        | CESTELLO PORTA LANCE/ACCESSORI SALDATO           | BASKET DOR LANCE/ACCESSORIES WELDED     |
| 240 | CA19137   | 1        | STAFFA AVVOLGI TUBI LINEA STEAM BOX              | WINDINGS BRACKET PIPE LINE STAEM BOX    |
| 241 | VI76006   | 5        | VITE TBEI M6x12 INOX                             | SCREW M6x12 - ST. STEEL                 |
| 242 | RA35R13   | 1        | MOLLA SAGOMATA CLIP + RONDELLA                   | SHAPED SPRING CLIP                      |
| 243 | VI71216   | 1        | VITE TCB TC M4x10 INO UNI7687 DIN 7985           | SCREW TCB TC INO UNI7687 M4x10 DIN 7985 |
| 244 | VI90015   | 1        | CHIAVE 55 INOX DA DOTAZIONE X DRENAGGIO          | KEY 55 INOX                             |