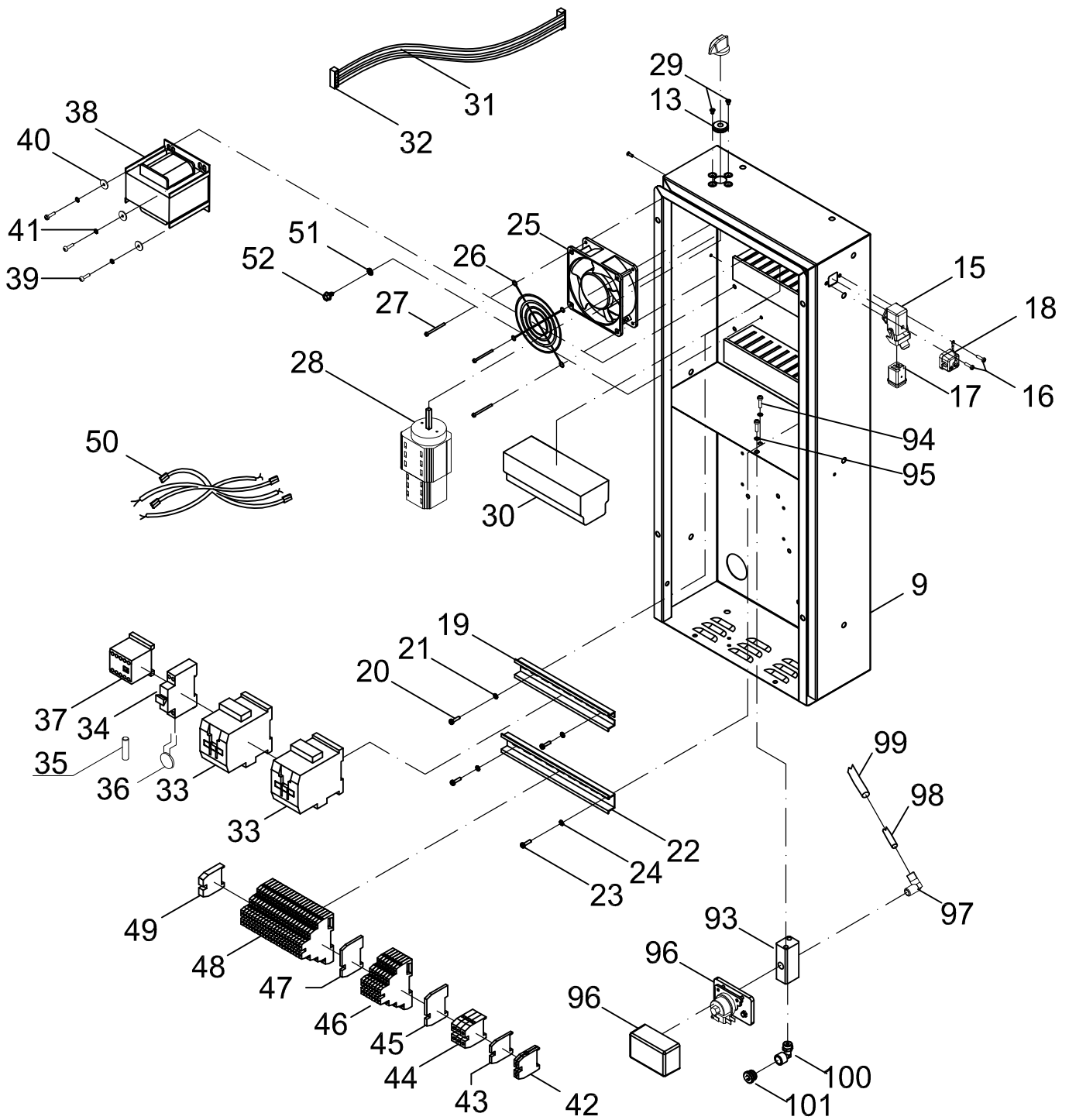
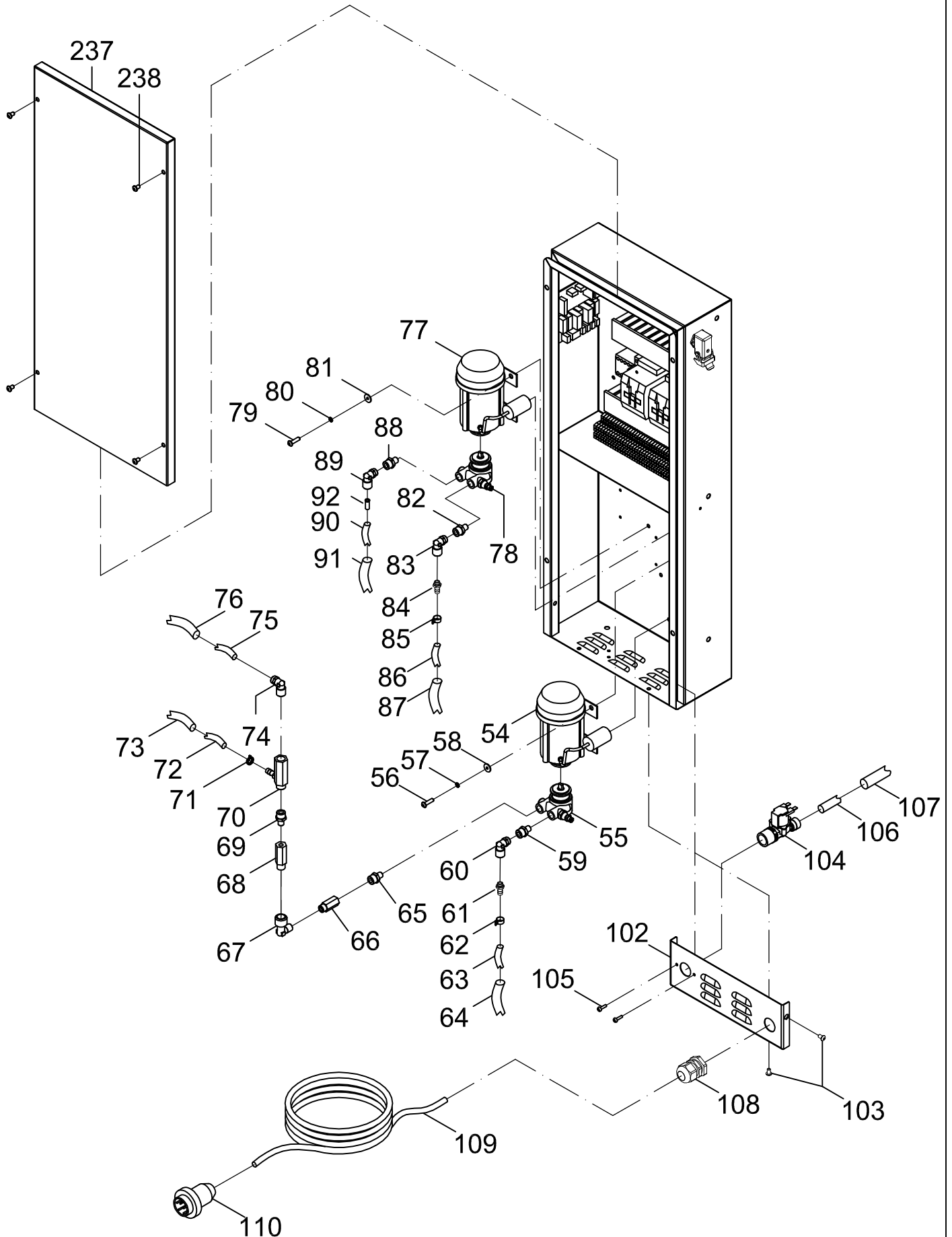
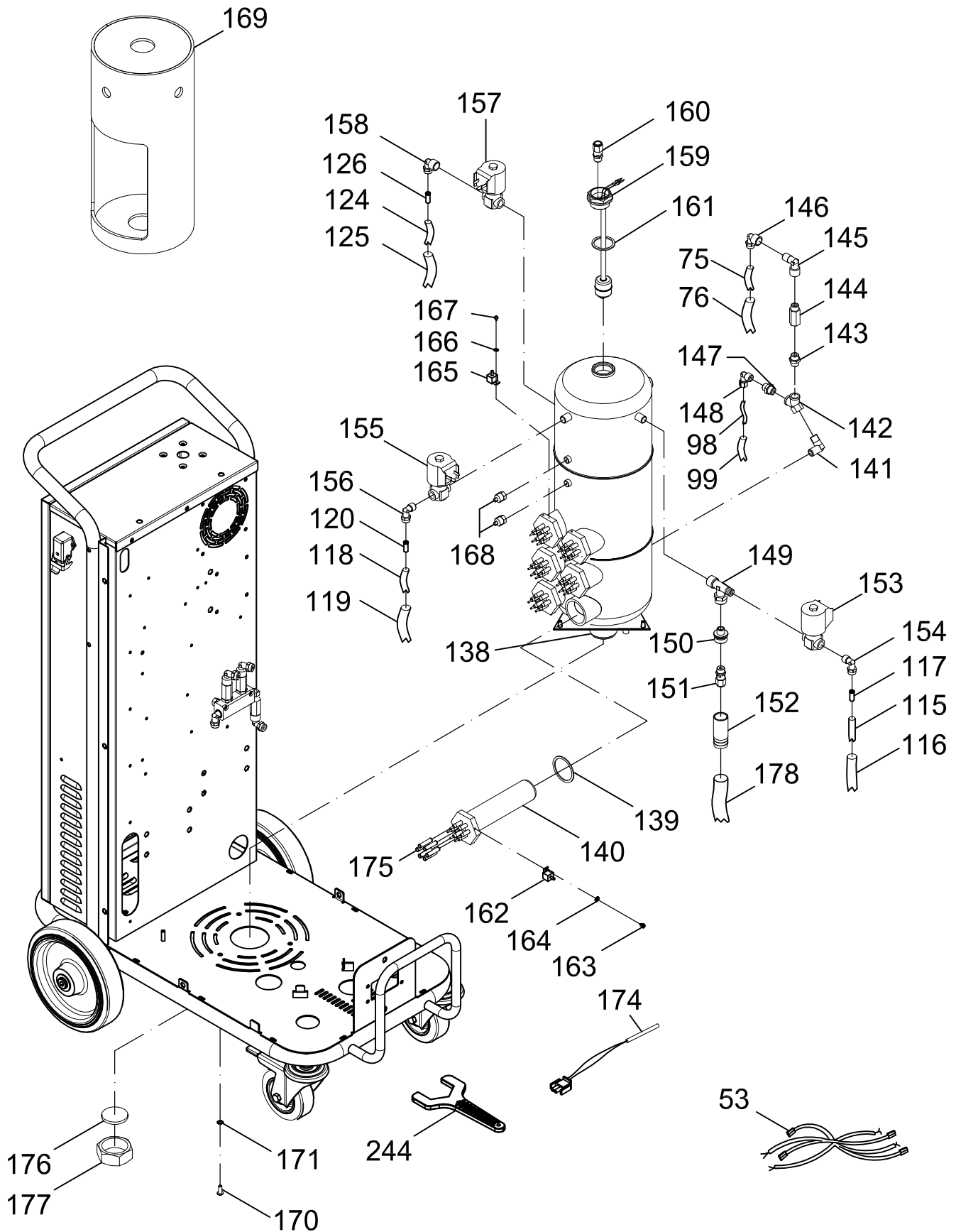


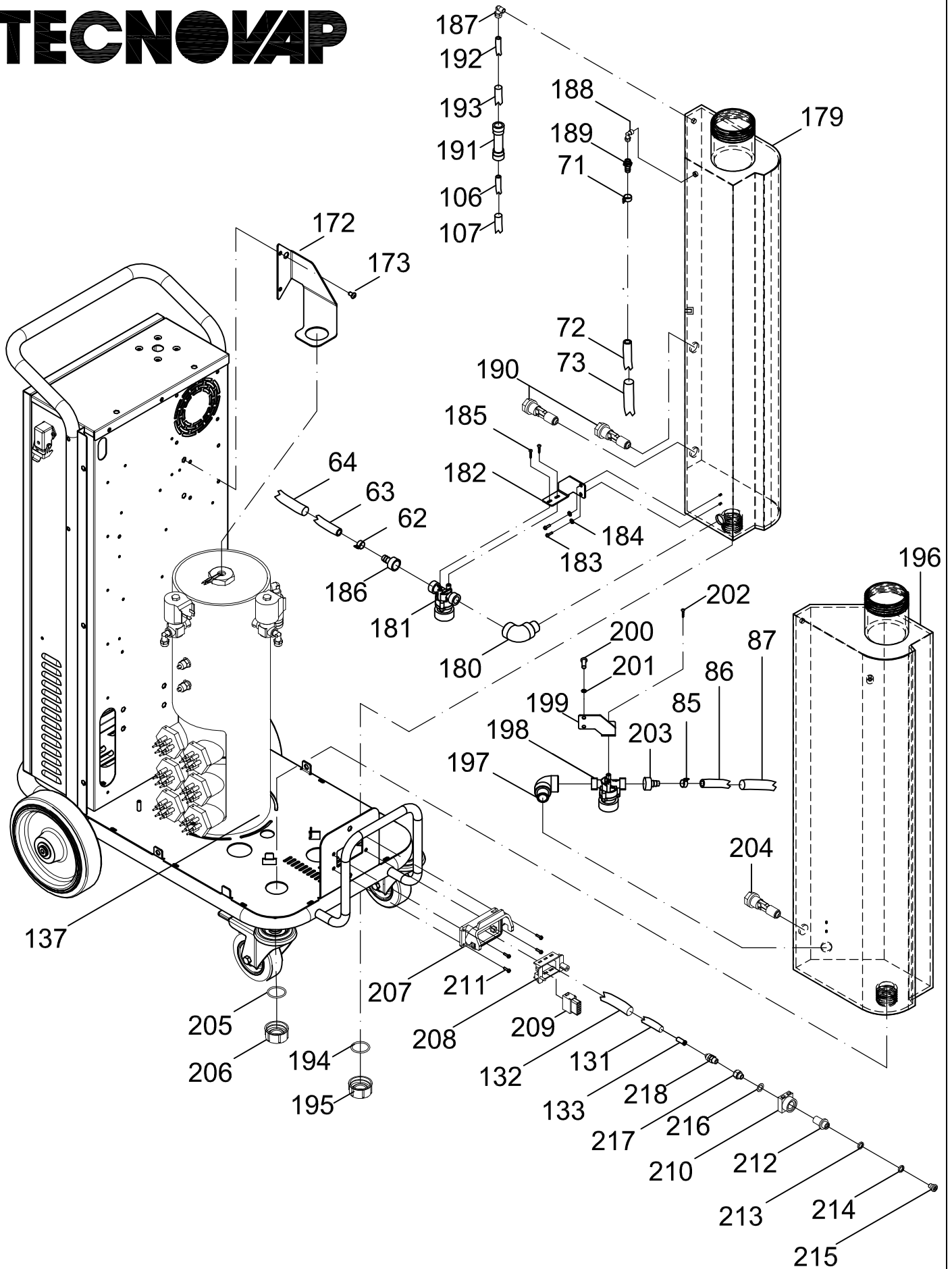
TECNOVAP

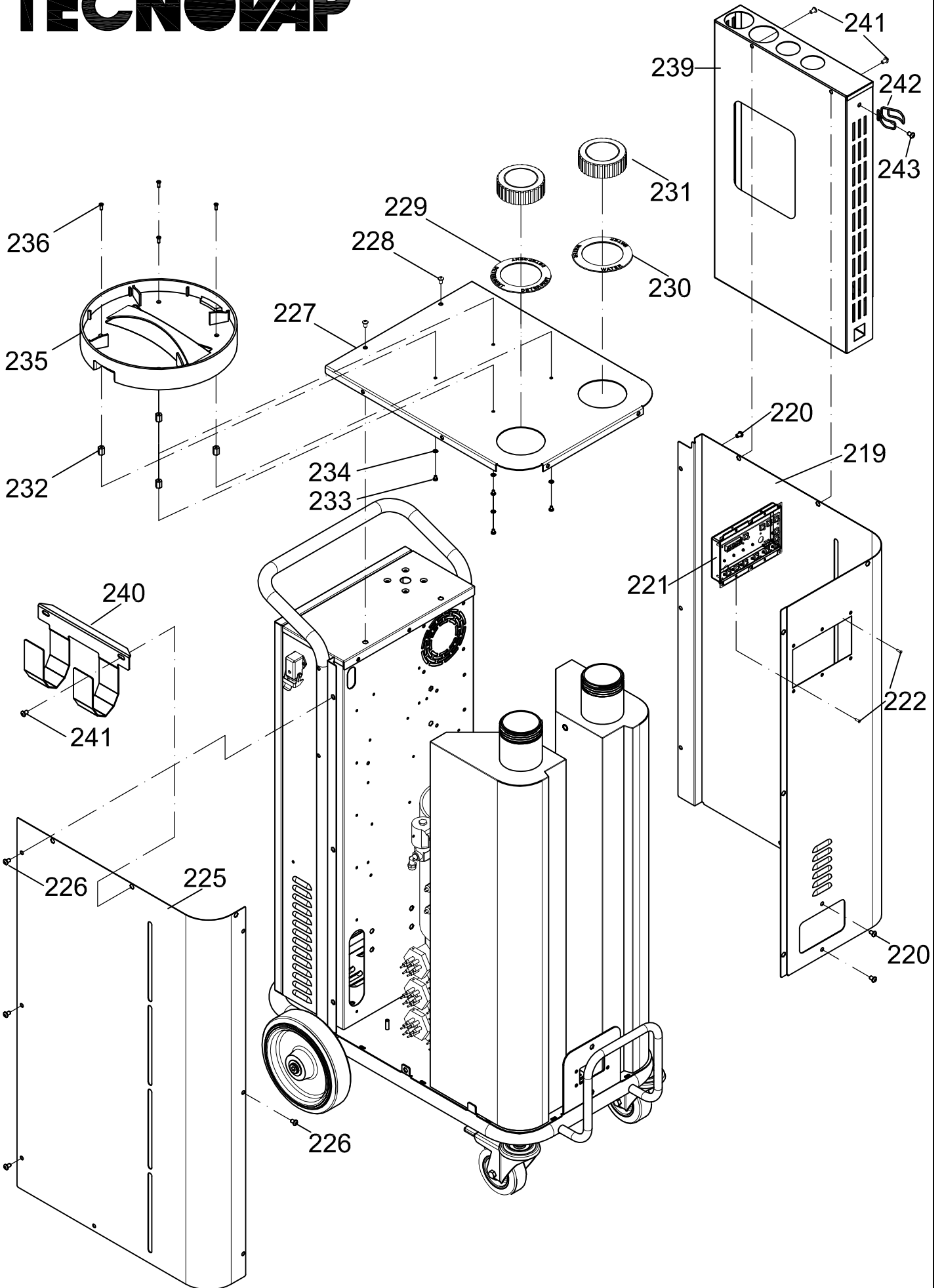




TECNOVAP







STEAM BOX INDUSTRIAL 21,6kW cod. 5W03A1M REV.0 02/02/15

Pos.	CODICE	Q.tà	DENOMINAZIONE	DENOMINATION
1	CR40006V2	1	CARRELLO S B INDUSTRIAL / PROF SALDATO	COMPLETE TROLLEY FOR STEAM BOX IND./PROF.
2	PG54098	2	RUOTA Ø100 GIREVOLE CON FRENO BLU	WHEEL Ø100 - SWIVEL W/ BRAKE
3	VI75008	2	RONDELLA M12 INOX	WASHER M12 INOX
4	VI71258	2	VITE TCEI M12x30 INOX	SCREW M12x30
5	VI7336	2	RONDELLA INOX M20	WASHER INOX M20
6	PG54168	2	RUOTA POSTERIORE Ø200 S.BOX BLU	REAR WHEEL Ø 200
7	CR4006E	2	RONDELLA 16x32 INOX	WASHER 16x32 INOX
8	RA3163	2	TAPPO 3/8"G m	CAP 3/8"G
9	CA16095V2	1	QUADRO ELETTRICO STEAM BOX INDUSTRIAL	ELECTRIC BOX STEAM BOX IND. ST. STEEL
10	85120220	2	VITE TBEI M6x10 INOX	SCREW M6x10 - ST. STEEL
11	VI76005	2	VITE TBEI M6x35 INOX	SCREW M6x35 - ST. STEEL
12	PG5339	1	PASSATUBO TAPPO Ø46x38x11 GAL	MOUTHPIECE Ø46x38x11
13	PG5308	1	PASSATUBO 3.8-8.5x3-9x3x25	MOUTHPIECE 3.8-8.5x3-9x3x25
14	PG5145	1	GUARNIZIONE TUBI PASSAGGIO	O-RING FOR ELECTRIC TUBING
15	PE21023	1	CUSTODIA PANNELLO 90° METALLO	CONNECTOR COVER 90°
16	VI71473	2	VITE TC TC M3X10 INOX UNI 7687 DIN7985	SCREW TC TC M3X10
17	PE21053	1	FRUTTO PRESA 7P+T 400V 3~	SOCKET CONNECTOR 7P+T 400V 3~
18	PE21021	1	COVER CUSTODIA PANNELLO 90° METALLO	CONNECTOR CAP
19	RA3081	mt 0,17	SUPPORTO BARRA DIN 35x15	SUPPORT 35x15
20	VI7022	2	RIVETTO ACCIAIO INOX Ø4X12	RIVET STEEL Ø4X12
21	VI7312	2	RONDELLA GREMBIULINA 4x16	WASHER 4x16
22	RA3081	mt 0,285	SUPPORTO BARRA DIN 35x15	SUPPORT 35x15
23	VI7022	2	RIVETTO ACCIAIO INOX Ø4X12	RIVET STEEL Ø4X12
24	VI7312	2	RONDELLA GREMBIULINA 4x16	WASHER 4x16
25	PE40009	1	VENTOLA RAFFREDDAMENTO 120x120x38	COOLING FAN 120x120x38
26	PE40093	1	GRIGLIA PROTEZIONE PER VENTOLA 120x120	PROTECTION GRILL FOR FAN 120x120
27	VI70703	4	VITE M4x50 TC TC	SCREW M4x50
28	PE22764	1	COMMUTATORE 80-25A 400V 5 POS. 15 CONT.	SWITCH 80-25A 400V 5 POS. 15 CONT.
29	VI74004	2	VITE TSP BRUGOLA M3x10	SCREW M3x10
30	PE64C32	1	SCHEDA S.B.MINI UNITA' POTENZA COMPL.	ELECTRONIC BOARD
31	PE20331	mt. 1,05	FLAT CABLE 20P	FLAT CABLE 20P
32	PE20321	2	CONETTORE FEMMINA FLAT CABLE 20 POLI	FEMALE CONNECTOR
33	PE23604	2	CONTATTORE 220/230/50 230/240/60 45A	CONTACTOR 220/230/50 230/240/60 45A
34	PE2068	1	PORTAFUSIBILE SEZ.1P+N 20A	FUSE HOLDER 1P+N 20A
35	PE20676	1	FUSIBILE 2A 400V 10,3X38	FUSE 2A 400V 10,3X38
36	PE27503	1	VARISTORE S20K300	VARISTOR
37	PE2351	1	CONTATTORE POTENZA 230/50-60Hz 25A	CONTACTOR 230/50-60Hz 25A
38	PE20517	1	AUTO. 400VA 400/230V+TRASFO.10VA 400/12V	SELFTRANSFORMER
39	VI71615	4	VITE TC M4X12 ZN UNI 7687 DIN 7985	SCREW M4X12
40	VI7314	4	RONDELLA GREMBIULINA ZN 4x12	WASHER 4X12
41	VI7318	4	RONDELLA DENTELLATA ZN ESTERNA Ø4	LOCK WASHER Ø4
42	PE20025	1	MORSETTO DI TERRA 10mmq M10/10	CONNECTOR FOR EARTHING 10mmq M10/10
43	PE20035	1	PIASTRINA TERMINALE PER MORSETTO M10/10	TERMINAL PLATE FOR CONNECTOR M10/10
44	PE20015	3	MORSETTO PER STEAM BOX 10mmq	CONNECTOR 10mmq
45	PE20045	1	SEPARATORE DI CIRCUITO PER MORSETTO	SEPARATOR FOR CONNECTOR
46	PE20005	7	MORSETTO PER STEAM BOX 4mmq	CONNECTOR 4mmq
47	PE20045	1	SEPARATORE DI CIRCUITO PER MORSETTO	SEPARATOR FOR CONNECTOR
48	PE20005	22	MORSETTO PER STEAM BOX 4mmq	CONNECTOR 4mmq
49	PE20055	1	BLOCCHETTO DI ARRESTO PER MORSETTO M10/10	STOPPER FOR CONNECTOR M10/10
50	PE53AXM	1	CABLAGGIO X1 COMPLETO	COMPLETE WIRING X1
51	VI73036	1	RONDELLA DENTELLATA INOX M6	LOCK WASHER M6
52	VI76012	1	DADO M6 INOX	NUT M6 INOX
53	PE21015V2	1	CABLAGGIO X2 S.B.IND 10,8-36KW	WIRING X2
54	PE21654	1	MOTORE A INDUZIONE 165W 220/230V 50/60Hz	MOTOR 165W 220/230V 50/60Hz
55	PE20467	1	POMPA VOLUMETRICA 100L/H	PUMP 100LH
56	VI81004	4	VITE M6x25 BUTTON HEAD INOX	SCREW M6x25
57	VI73036	4	RONDELLA DENTELLATA INOX M6	LOCK WASHER M6
58	85140900	4	RONDELLA PIANA INOX 6x18	WASHER 6x18
59	RA32007	1	RIDUZIONE 3/8"G m 1/4"G f	REDUCTION 3/8"G 1/4"G
60	RA31044	1	RACCORDO GOMITO 1/4"M-1/4"F	ELBOW FITTING 1/4"M-1/4"F
61	RA26014	1	PORTAGOMMA DIRITTO 1/4"M PG9	STRAIGHT HOSE 1/4"M PG9
62	PG5200	2	FASCETTA CLIC 12-14/6 (135)	CLAMP
63	RA33611	mt.0,79	TUBO TRASPARENTE RETINATO 14x8	TRANSPARENT BRAIDED TUBE 14X8
64	PG53864	mt.0,71	CALZA VETRO SILICONE ROSSO Øi 16	SILICON GLASS SHIELD RED Øi 16
65	RA32007	1	RIDUZIONE 3/8"G m 1/4"G f	REDUCTION 3/8"G 1/4"G
66	RA31875	1	RACCORDO DIRITTO 1/4"M-1/4"M	STRAIGHT VALVE 1/4"M-1/4"M
67	RA31044	1	RACCORDO GOMITO 1/4"G mx1/4"G f	ELBOW VALVE 1/4"G m x 1/4"G f
68	RA34088	1	VALVOLA UNIDIREZIONALE MOLLA DURA 1/4"	NON RETURN VALVE - HEAVY SPRING 1/4
69	RA32017	1	RACCORDO 3/8"G f 1/4"G m	REDUCTION 3/8"G f 1/4"G
70	PE2425	1	DEAREATORE PER ET3000	BLEEDER VALVE FOR PUMP
71	PG5200	2	FASCETTA CLIC 12-14/6 (135)	CLAMP
72	RA33611	mt.1,34	TUBO TRASPARENTE RETINATO 14x8	TRANSPARENT BRAIDED TUBE 14X8

73	PG53864	mt.1,14	CALZA VETRO SILICONE ROSSO Øi 16	SILICON GLASS SHIELD RED Øi 16
74	RA31815	1	RACCORDO A GOMITO 6x8-3/8"G m	ELBOW VALVE 6x8 3/8"G m
75	RA3201	mt.0,46	TUBO TEFLON Ø6x8	TEFLON HOSE Ø6x8
76	PG53831	mt.0,36	CALZA VETRO SILICONE ROSSO Øi 8	SILICON GLASS SHIELD RED Øi 8
77	PE21654	1	MOTORE A INDUZIONE 165W 220/230V 50/60Hz	MOTOR 165W 220/230V 50/60Hz
78	PE20477	1	POMPA VOLUMETRICA 50L/H	PUMP 50LH
79	VI81004	4	VITE M6x25 TE ZN	SCREW M6x25
80	VI73036	4	RONDELLA DENTELLATA INOX M6	LOCK WASHER M6
81	85140900	4	RONDELLA PIANA INOX 6x18	WASHER 6x18
82	RA32007	1	RIDUZIONE 3/8"G m 1/4"G f	REDUCTION 3/8"G 1/4"G
83	RA31044	1	RACCORDO GOMITO 1/4"M-1/4"F	ELBOW FITTING 1/4"M-1/4"F
84	RA26014	1	PORTAGOMMA DIRITTO 1/4"M PG9	STRAIGHT HOSE 1/4"M PG9
85	PG5200	2	FASCETTA CLIC 12-14/6 (135)	CLAMP
86	RA33611	mt.0,74	TUBO TRASPARENTE RETINATO 14x8	TRANSPARENT BRAIDED TUBE 14X8
87	PG53864	mt.0,63	CALZA VETRO SILICONE ROSSO Øi 16	SILICON GLASS SHIELD RED Øi 16
88	RA32007	1	RIDUZIONE 3/8"G m 1/4"G f	REDUCTION 3/8"G 1/4"G
89	RA32018	1	RACCORDO GOMITO 6x10-1/4"M (OGIVA)	ELBOW FITTING 6x10-1/4"M (OGIVA)
90	RA33107	mt. 0,61	TUBO TEFLON Ø6x10	TEFLON HOSE Ø 6x10
91	PG53807	mt. 0,51	CALZA VETRO SILICONE ROSSO Øi 10	SILICON GLASS SHIELD RED Øi 10
92	VI42013	2	BOCCOLA DI SUPPORTO Ø6,2	BUSH SUPPORT Ø6,2
93	RA30304	1	BLOCCETTO X PRESSOSTATO STEAM BOX IND	BLOCK FOR PRESSURE STEAM
94	85120220	2	VITE M6X10 BUTTON HEAD INOX	SCREW M6X10
95	VI73036	2	RONDELLA DENTELLATA INOX M6	LOCK WASHER M6
96	PE24123	1	PRESSOSTATO 16A 9-15bar BOX IP54 1/8"M	PRESSURE SWITCH 16A 9-15 bar BOX IP54
97	RA31556	1	RACCORDO GOMITO 1/8"M-6/4 (OGIVA)	ELBOW FITTING 1/8"M-6/4 (OGIVA)
98	RA3210	mt. 0,62	TUBO TEFLON Ø4x2	TEFLON HOSE Ø4x2
99	PG5338	mt. 0,52	TUBO GOMMA EPDM NERO Ø7x10	EPDM HOSE Ø7x10
100	RA3147	1	RACCORDO GOMITO 1/8"F-1/8"M	ELBOW FITTING 1/8"F-1/8"M
101	RA3168	1	TAPPO PER RACCORDO 1/8"M	BRASS CAP 1/8"M
102	CA16200V1	1	STAFFA INGR. ALIMENT.S/B.IND/PROF xISO25	SUPPORT MOUNT FOR POWER CORD
103	85120220	4	VITE M6X10 BUTTON HEAD INOX	SCREW M6X10
104	PE23370	1	ELETTROVALVOLA IN 3/4 M OUT J/G 8	SOLENOID VALVE 3 / 4 OUT J M / G 8
105	VI71216	2	VITE TC TC M4X10 INOX UNI7687 DIN7985	SCREW M4X10
106	RA33008	mt.1,00	TUBO POLIURETANO BLU Ø6x8	BLUE POLYURETHANE HOSE Ø6x8
107	PG53831	mt.0,95	CALZA VETRO SILICONE ROSSO Øi 8	SILICON GLASS SHIELD RED Øi 8
108	PR00014	1	PRESSACAVO OTT/NIC M32x1,5 SER.21mm	CABLEPRESS M32
109	PE21093	mt.8,50	CAVO ALIMENTAZIONE	POWER CORD
110	PE32019	1	SPINA 3P+T 400V 32A	PLUG
111	RA20008	1	COLLETTORE 76x40x20 2x1/4"F-1/4"F PASSANTI	COLLECTOR
112	RA31875	2	RACCORDO DIRITTO 1/4"G m x 1/4"G m	STRAIGHT VALVE 1/4"G x 1/4"G
113	RA34094	2	VALVOLA NON RITORNO MOLLA DEBOLE	NON RETURN VALVE - LIGHT SPRING
114	RA32028	2	RACCORDO GOMITO 6x10 1/4"G f	ELBOW VALVE 6x10 1/4"G
115	RA33107	mt. 0,47	TUBO TEFLON Ø6x10	TEFLON HOSE Ø6x10
116	PG53807	mt. 0,42	CALZA VETRO SILICONE ROSSO Øi 10	SILICON GLASS SHIELD RED Øi 10
117	VI42013	2	BOCCOLA DI SUPPORTO Ø6,2	BUSH SUPPORT Ø6,2
118	RA33107	mt. 0,62	TUBO TEFLON Ø6x10	TEFLON HOSE Ø 6X10
119	PG53807	mt. 0,54	CALZA VETRO SILICONE ROSSO Øi 10	SILICON GLASS SHIELD RED Øi 10
120	VI42013	2	BOCCOLA DI SUPPORTO Ø6,2	BUSH SUPPORT Ø6,2
121	RA31474	1	RACCORDO GOMITO 1/4"Mx1/4"M	ELBOW VALVE 1/4"G m x 1/4"G m
122	RA34094	1	VALVOLA NON RITORNO MOLLA DEBOLE	NON RETURN VALVE - LIGHT SPRING
123	RA32028	1	RACCORDO GOMITO 6x10 1/4"G f	ELBOW VALVE 6x10 1/4"G
124	RA33107	mt. 0,68	TUBO TEFLON Ø6x10	TEFLON HOSE Ø 6X10
125	PG53807	mt. 0,62	CALZA VETRO SILICONE ROSSO Øi 10	SILICON GLASS SHIELD RED Øi 10
126	VI42013	2	BOCCOLA DI SUPPORTO Ø6,2	BUSH SUPPORT Ø6,2
127	RA31474	1	RACCORDO GOMITO 1/4"Mx1/4"M	ELBOW VALVE 1/4"G m x 1/4"G m
128	RA34084	1	VALVOLA NON RITORNO MOLLA DURA	NON RETURN VALVE - LIGHT SPRING
129	RA32028	1	RACCORDO GOMITO 6x10 1/4"G f	ELBOW VALVE 6x10 1/4"G
130	RA32008	1	RACCORDO DIRITTO 6x10 1/4"G f	VALVE 6x10 1/4"G
131	RA33107	mt. 0,78	TUBO TEFLON Ø6x10	TEFLON HOSE Ø 6X10
132	PG53807	mt. 0,68	CALZA VETRO SILICONE ROSSO Øi 10	SILICON GLASS SHIELD RED Øi 10
133	VI42013	2	BOCCOLA DI SUPPORTO Ø6,2	BUSH SUPPORT Ø6,2
134	RA20014	2	DISTANZIALE Ø12 LUNGH. 7 mm FORO Ø4,5	DISTANCE Ø12 LENGHT. 7 mm HOLE Ø4,5
135	VI71695	2	VITE M4x35 TC TC ZN	SCREW M4x35
136	VI7318	2	RONDELLA DENTELLATA ZN ESTERNA Ø4	LOCK WASHER M4
137	09W5300	1	CALDAIA COMPLETA	BOILER COMPLETE
138	99W5300	1	CALDAIA STEAM BOX IND. C/RESIST. 21,6kW	BOILER W/ HEATING ELEMENT 21,6kW
139	PG51396	6	GUARNIZIONE RAME Ø42x50x1,5	COPPER GASKET Ø42x50x1,5
140	PE25226	6	RESISTENZA 230V 3600W 1" ¼	HEATING ELEMENT 230V 3600W
141	RA31473	1	CURVA 90° 1/4"M - 1/4"M ANTICALCARE	90° ELBOW 1/4"M - 1/4"M SCALE
142	RA31014	1	RACCORDO A Y 1/4"G fx1/4"G fx1/4"G f	Y VALVE 1/4"G fx1/4"G fx1/4"G f
143	RA31875	1	RACCORDO DIRITTO 1/4"G m x 1/4"G m	STRAIGHT VALVE 1/4"G x 1/4"G
144	RA34084	1	VALVOLA NON RITORNO MOLLA DURA	NON RETURN VALVE - LIGHT SPRING
145	RA31044	1	RACCORDO GOMITO 1/4"G m x 1/4"G f	ELBOW VALVE 1/4"G m x 1/4"G f
146	RA31675	1	RACCORDO GOMITO 6x8 1/4"G f	ELBOW VALVE 6x8 1/4"G f
147	RA30704	1	RIDUZIONE 1/4"G m 1/8"G f	REDUCTION 1/4"G 1/8"G
148	RA3155	1	RACCORDO GOMITO 1/8"G m x 4/2	ELBOW VALVE 1/8"G m x 4/2

149	RA31037	1	RACCORDO A T 1/4"G fx1/4"G fx1/4"G m	3-WAYS VALVE 1/4"G fx1/4"G fx1/4"G m
150	RA31874	1	RACCORDO DIRITTO 1/4"G mx1/4"G fxM22	STRAIGHT VALVE 1/4"G mx1/4"G fxM22
151	RA34164	1	VALVOLA SICUREZZA 97/23CE 12 bar 1/4"M KALREZ	SAFETY VALVE 97/23CE 12 bar 1/4"M KALREZ
152	RA30194	1	PORTAGOMMA M22x1.5xø25 L.60	TUBE COUPLER M22x1,5xø25 L.60
153	PE23014	1	ELETTROVAL. SERIE99 PTFE DN 1.5 1/4"G fx1/4"G f	SOLENOID VALVE 99 DN 1.5 1/4"G fx1/4"G f
154	RA32018	1	RACCORDO GOMITO 6x10 1/4"G m	ELBOW VALVE 6x10 1/4"G m
155	PE23024	1	ELETTROVAL. SERIE99 PTFE DN 2.8 20VA 1/4"G fx1/4"G f	SOLENOID VALVE 99 DN 2.8 20VA 1/4"G fx1/4"G f
156	RA32018	1	RACCORDO GOMITO 6x10 1/4"G m	ELBOW VALVE 6x10 1/4"G m
157	PE23014	1	ELETTROVAL. SERIE99 PTFE DN 1.5 1/4"G fx1/4"G f	SOLENOID VALVE 99 DN 1.5 1/4"G fx1/4"G f
158	RA32018	1	RACCORDO GOMITO 6x10 1/4"G m	ELBOW VALVE 6x10 1/4"G m
159	RA32815	1	TAPPO OTTONE C/SONDA C.L.mm280+SI.C.15bar	BRASS CAP LVL CONTACT FLOAT L.280
160	RA34067	1	VALVOLA SICUREZZA 97/23CE > 50 15 bar 1/4"G m	SAFETY VALVE 97/23CE > 50 15 bar 1/4"G m
161	PG51033	1	GUARNIZIONE TEFLON ø33.2x40x2	TEFLON GASKET ø33,2x40x2
162	PE2344	6	TERMOSTATO 275° RIPRISTINO	RESET THERMOSTAT 275°
163	VI7130	6	VITE AUTOFILETTANTE NICHELATA TC TC 3.5x9.5	SCREW 3,5x9,5
164	VI7318	6	RONDELLA DENTELLATA M4	LOCK WASHER M4
165	PE23447	2	TERMOSTATO 235° RIPRISTINO R.A.	THERMOSTAT 235°
166	VI7318	2	RONDELLA DENTELLATA M4	LOCK WASHER M4
167	VI7130	2	VITE AUTOFILETTANTE NICHELATA TC TC 3.5x9.5	SCREW 3,5x9,5
168	PE2334	2	TERMOSTATO 175° RIPRISTINO	RESET THERMOSTAT 175°
169	IS40215	1	ISOLANTE CALDAIA STEAM BOX INDUSTRIAL H.590	BOILER INSULATION H590
170	85120230	3	VITE TBEI ISO 7380 M6x16 INOX	SCREW M6x16
171	VI73036	3	RONDELLA DENTELLATA INOX M6	LOCK WASHER M6
172	CA16294	1	STAFFA FERMA CALDAIA INDUSTRIAL	BRACKET STOPS INDUSTRIAL BOILER
173	85120220	2	VITE TBEI M6x10 INOX	SCREW M6x10 - ST. STEEL
174	PE20532	1	TERMORESISTENZA PT1000 L. 200 COMPL.	THERMORESISTANCE PT1000 L.200 COMPL.
175	PG53827	mt. 2,16	CALZA VETRO SILICONE ROSSO øi 6	SILICON GLASS SHIELD RED øi 6
176	PG52084	1	GUARNIZIONE MICROFLON Ø29,5x49,5x2	GASKET ø29,5x49,5x2
177	RA31634	1	TAPPO DRENAGGIO 1 1/2"G f	BOILER DRAIN CAP 1 1/2"G f
178	PG52005	mt. 0,55	TUBO SILICONE NERO 25x28	SILICON HOSE 25x28
179	CA1265X	1	SERBATOIO ACQUA STEAM BOX INDUSTRIAL	WATER TANK
180	PP27013	1	RACCORDO GOMITO 1/2"M-1/2"F PLASTICA	PLASTIC ELBOW FITTING 1/2"M-1/2"F
181	FL12512	1	FILTRO ISPEZIONABILE 125 MICRONS 1/2M	INSPECTIONABLE FILTER
182	CA17013	1	STAFFA FILTRO ISPEZIONABILE S/B/PROF	BRACKET FILTER INSPECT
183	VI71216	2	VITE TC TC M4X10 INOX UNI7687 DIN7985	SCREW M4X10 INOX
184	VI7318	2	RONDELLA DENTELLATA ZN ESTERNA ø4	LOCK WASHER ø4
185	VI7137	2	VITE AUTOFIL. Ni TC TC. 3,5X13	SCREW 3,5X13
186	PP27003	1	PORTAGOMMA DIRITTO 1/2"F PG10 PLASTICA	BARBED FITTING 1/2" FEMALE- ø 12X9
187	RA31058	1	RACCORDO GOMITO 6x8-1/8"M GIREVOLE I/R	SWIVEL ELBOW FITTING 3/8" MALE - ø12X9
188	RA3147	1	RACCORDO GOMITO 1/8"F-1/8"M	ELBOW FITTING 1/8"F-1/8"M
189	RA26021	1	PORTAGOMMA DIRITTO 1/8"M PG9	BARBED FITTING 1/8"M ø9
190	PE2327	2	INTERRUTTORE REED GALLEGG.ORIZZONTALE	HORIZONTAL TANK FLOAT
191	PP28003	1	RACCORDO DIRITTO ANTIREFLUSSO I/R ø8	ANTIREFLUX FITTING ø8
192	RA33008	mt.0,10	TUBO POLIURETANO BLU ø6x8	BLUE POLYURETHANE HOSE ø12X9
193	PG53831	mt.0,06	CALZA VETRO SILICONE ROSSO øi 8	SILICON GLASS SHIELD RED øi 8
194	PG5123	1	OR 29,82x2,62 SILICONE ROSSO	SILICON O-RING 29,82X2,62
195	RA3320	1	TAPPO NERO SCARICO SERBATOIO (HI TECH)	DRAIN CAP WATER / DET. TANK
196	CA126DX	1	SERBATOIO DETERGENTE STEAM BOX INDUSTRIAL	DETERGENT TANK
197	PP27013	1	RACCORDO GOMITO 1/2"M-1/2"F PLASTICA	PLASTIC ELBOW FITTING 1/2"M-1/2"F
198	FL12512	1	FILTRO ISPEZIONABILE 125 MICRONS 1/2M	INSPECTIONABLE FILTER
199	CA17013	1	STAFFA FILTRO ISPEZIONABILE S/B/PROF	BRACKET FILTER INSPECT
200	VI71216	2	VITE TC TC M4X10 INOX UNI7687 DIN7985	SCREW M4X10 INOX
201	VI7318	2	RONDELLA DENTELLATA ZN ESTERNA ø4	LOCK WASHER ø4
202	VI7137	2	VITE AUTOFIL. Ni TC TC. 3,5X13	SCREW 3,5X13
203	PP27003	1	PORTAGOMMA DIRITTO 1/2"F PG10 PLASTICA	BARBED FITTING 1/2" FEMALE- ø 12X9
204	PE2327	1	INTERRUTTORE REED GALLEGG.ORIZZONTALE	HORIZONTAL TANK FLOAT
205	PG5123	1	OR 29,82x2,62 SILICONE ROSSO	SILICON O-RING 29,82X2,62
206	RA3320	1	TAPPO NERO SCARICO SERBATOIO (HI TECH)	DRAIN CAP WATER / DET. TANK
207	PE30142	1	CUSTODIA DA PANNELLO CON LEVA	CONNECTOR COVER W/ SNAP
208	PE30015	1	TELAIO INCERNERIATO 3 MODULI PER CUSTODIA	FRAME FOR 3 CONNECTORS
209	PE30035	1	FRUTTO 1 MODULO PER CONTATTO F 12P	CONNECTOR FOR 12P CONTACT
210	PP00195	1	BLOCCHETTO ISOLANTE ALTA TEMP. PER UGELLO	INSULATION BLOCK FOR NOZZLE
211	VI71619	4	VITE TC TC M4X16 INOX UNI7687 DIN7985A	SCREW M4x16
212	7200124	1	ATTACCO PER UGELLO MASCHIO 1/8"F M8x1 F	COUPLER FOR MALE NOZZLE
213	PG51004	1	GUARNIZIONE TEFLON + OR SILICONE	TEFLON GASKET + OR SILICON
214	PG51428	1	OR 9,25x1,78 VITON FLUORAZ	O-RING 9,25x1,78 VITON FLUORAZ
215	7200134	1	UGELLO MASCHIO M8x1 m	MALE NOZZLE M8X1 m
216	VI7339	1	RONDELLA DI SPESSORAMENTO 10x16x0.5	WASHER 10X16X0,5
217	RA30724	1	RIDUZIONE 1/4"G f 1/8"G m	REDUCTION 1/4"G f 1/8"G m
218	RA32008	1	RACCORDO DIRITTO 6x10 1/4"G m	STRAIGHT VALVE 6x10 1/4"G m
219	CA19033	1	MANTELLINO SX STEAM BOX INDUSTRIAL	LEFT PANEL - S. BOX IND.
220	85120220	6	VITE TBEI M6x10 INOX	SCREW M6x10 - ST. STEEL
221	PE64114	1	SCHEDA S.B.IND UNITA' POTENZA COMPL.	CONTROL CARD POWER
222	VI74004	6	VITE TSP BRUGOLA M3x10	SCREW M3x10
223	CA19105	1	MONTANTE MANTELLINO DX S.B.IND	RIGHT SIDE COLUMN
224	85120220	3	VITE TBEI M6x10 INOX	SCREW M6x10 - ST. STEEL

225	CA19045V1	1	MANTELLO DX STEAM BOX INDUSTRIAL	RIGHT PANEL - S. BOX IND.
226	85120220	7	VITE TBEI M6x10 INOX	SCREW M6x10 - ST. STEEL
227	CA19023	1	COFANO S.BOX IND/PROF (ASP SOPRA) SALDATO	TOP PANEL - VACUUM
228	85120220	4	VITE TBEI M6x10 INOX	SCREW M6x10 - ST. STEEL
229	PG51468	1	PASSATUBO ø80 DETERGENT	MOUTHPIECE FOR DETERGENT TANK
230	PG51458	1	PASSATUBO ø80 WATER	MOUTHPIECE FOR WATER TANK
231	PP00008	2	TAPPO VENTILATO SENZA VALVOLA 80 PASSO 6	CAP FOR FUNNEL
232	VI14042	4	DISTANZIALE X DISCO ASP S/B/MINI L.14 M4	THREADED SPACER M4 L.14
233	VI7121	4	VITE M4X6 TC.TC UNI7687 DIN7985 ISO7047	SCREW M4X6
234	VI7318	4	RONDELLA DENTELLATA ZN ESTERNA Ø4	WASHER Ø4
235	PG5044	1	DISCO SOTTOBASE ASPIRATORE	VACCUUM DISC
236	VI71614	4	VITE TSP M4X12 INOX UNI 7688 DIN 965	SCREW M4X12
237	CA19055V1	1	COPERCHIO QUADRO ELETTRICO STEAM BOX	COVER FOR ELECTRIC BOX
238	85120220	4	VITE TBEI M6x10 INOX	SCREW M6x10 - ST. STEEL
239	CA34122	1	CESTELLO PORTA LANCE/ACCESSORI SALDATO	BASKET DOR LANCE/ACCESSORIES WELDED
240	CA19137	1	STAFFA AVVOLGI TUBI LINEA STEAM BOX	WINDINGS BRACKET PIPE LINE STAEM BOX
241	VI76006	5	VITE TBEI M6x12 INOX	SCREW M6x12 - ST. STEEL
242	RA35R13	1	MOLLA SAGOMATA CLIP + RONDELLA	SHAPED SPRING CLIP
243	VI71216	1	VITE TCB TC M4x10 INO UNI7687 DIN 7985	SCREW TCB TC INO UNI7687 M4x10 DIN 7985
244	VI90025	1	CHIAVE 55 DA DOTAZIONE X DRENAG.PLASTICA	PLASTIC KEY 55