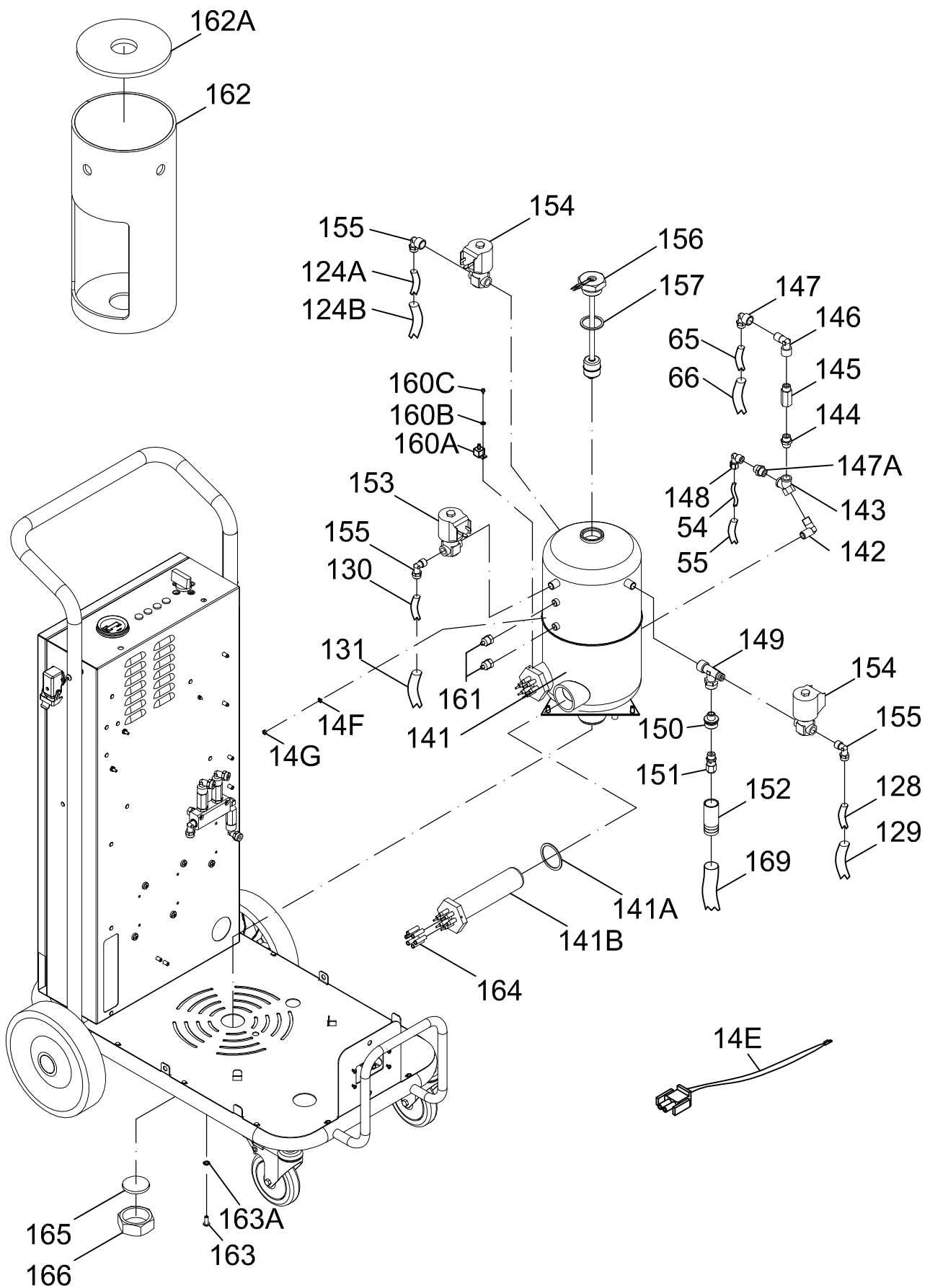
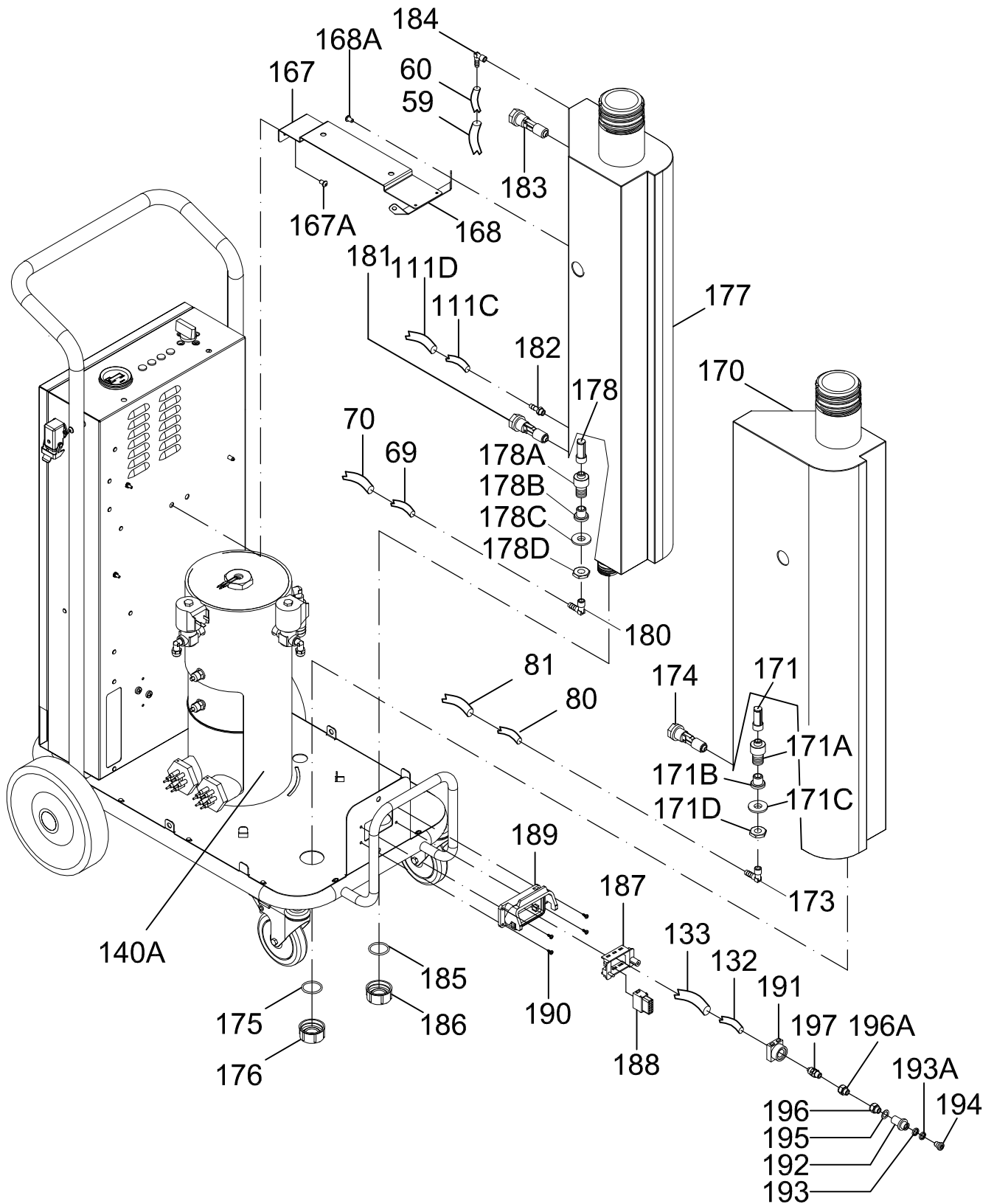
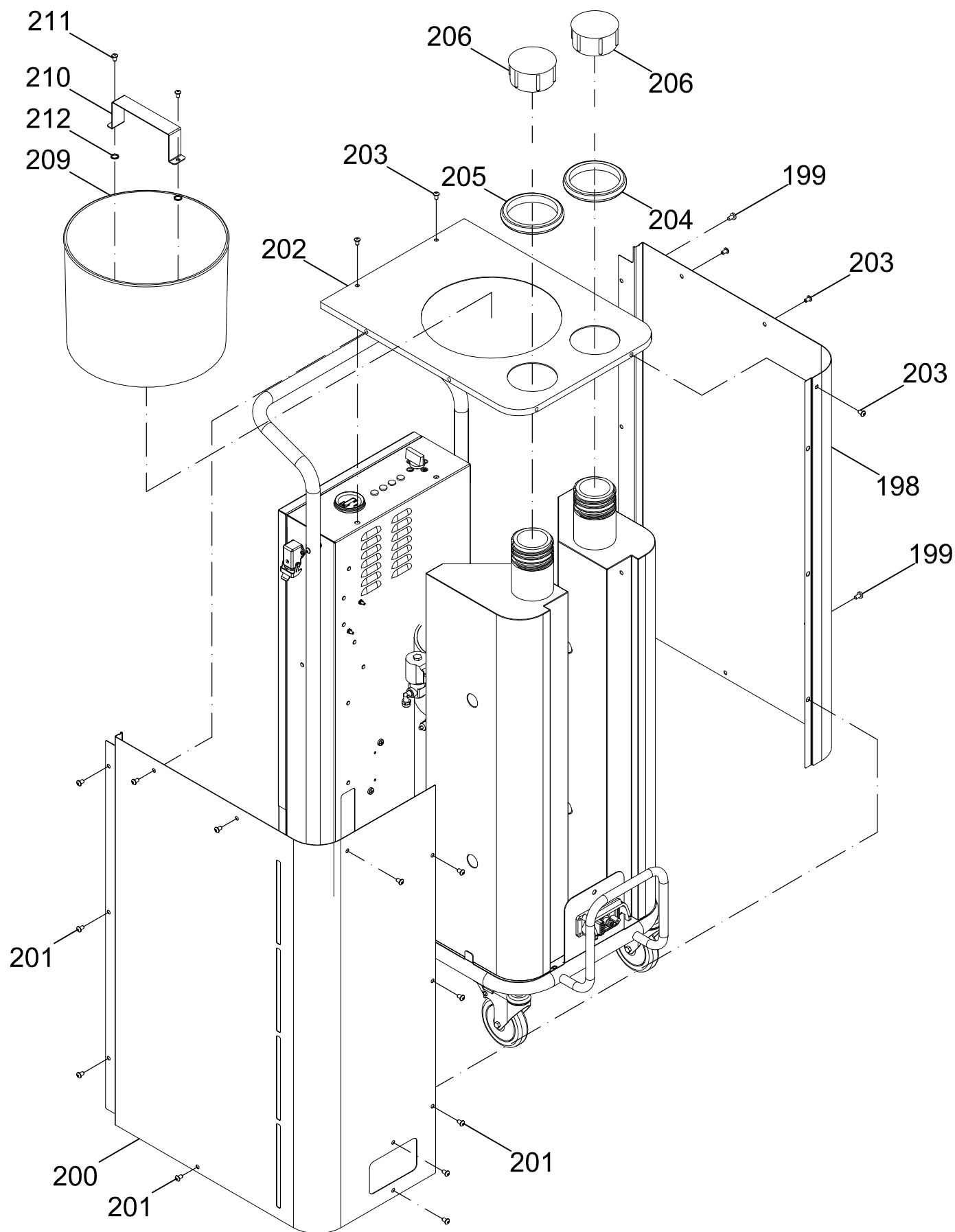


# TECNOVAP







**STEAM BOX PROFESSIONAL 7200W H2O cod. 4W23652 REV.0 26/07/12**

Pos.	CODICE	Q.tà	DENOMINAZIONE	DENOMINATION
1	CR40006V1	1	CARRELLO STEAM BOX INDUSTRIAL	COMPLETE TROLLEY FOR STEAM BOX IND.
2	PG54098	2	RUOTA Ø100 GIREVOLE CON FRENO BLU	WHEEL Ø100 10MAX20 - SWIVEL W/ BRAKE
2A	VI75008	2	RONDELLA PIANA M12 INOX	WASHER
3	VI71258	2	VITE TCEI M12x30 INOX	SCREW M12X30
4	PG54168	2	RUOTA POSTERIORE Ø200 S.BOX BLU	REAR WHEEL Ø 200
5	CR4006E	2	RONDELLA 16X32 PER RUOTE CARRELLO INOX	WASHER
5A	RA3163	2	TAPPO 3/8M	CAP
5B	PG5304	2	PASSATUBO TAPPO Ø20 NERO	MOUTHPIECE Ø20
6	PE21998	1	QUADRO ELETTRICO STEAM BOX PROF.	ELECTRIC BOX S/BOX PROF ST. STEEL
7	PG5145	1	GUARNIZIONE TUBI PASSAGGIO	O-RING FOR ELECTRIC TUBING
7A	85120220	2	VITE TBEI ISO 7380 M6X10 INOX	SCREW M6X10 - ST. STEEL
7B	VI76005	2	VITE TBEI ISO 7380 M6X35 INOX	SCREW M6X35 - ST. STEEL
8	PE22722	1	COMMUT. 32A 400V 1P=GEN2P=CALD3P=R.IGCON	MAIN SWITCH 32A 400V
9	PG5308	1	PASSATUBO 3.8-8.5x3-9x3x25	MOUTHPIECE 3,8-8,5X3-9X3X25
10	VI71215	2	VITE M4x6 TSP TC	SCREW M4X6
11	PE22257	2	SPIA LUMINOSA VERDE	GREEN INDICATOR LIGHT W/ NUT
12	PE22197	2	SPIA LUMINOSA ROSSA	RED INDICATOR LIGHT W/ NUT
13	PG5106	4	OR 9.25x1.78 NBR GRIGIO	O-RING 9,25X1,78 NBR
13A	PG5123	1	OR 29,82X2,62 SILICONE ROSSO	O-RING
13B	PG51237	1	OR 3193 Ø48,89X2,62 MANOMETRO	O-RING
14	PE24017	1	MANOMETRO/CONTAORE COMPLETO 10bar	PRESSURE GAUGE/HOUR
14B	PG5115	1	OR 34.65X1.78 NBR NERO	O-RING 34.65X1.78
14C	1200117V1	1	CORNICE TERMOMETRO DIGITALE NERA	MOUNT BASE
14D	VI7114	5	VITE AUTOFIL.BR.TGS.2,9X9,5 UNI6956	SCREW
14E	PE24512	1	SONDA NTC 10K CAVI L.600 PTFE ±3% COMPL	SONDE
14F	VI7211	1	DADO ZN M3 UNI5588 ISO4032 UNI EN 24032	NUT M3
14G	VI7319	1	RONDELLA DENTELLATA ZN M3	LOCK WASHER M3
15	PE21023	1	CUSTODIA PANNELLO 90° METALLO	CONNECTOR COVER 90°
16	VI7130	2	VITE AUTOFILETTANTE NICHELATA TC TC 3.5x9.5	SCREW 3,5X9,5
17	PE21053	1	FRUTTO PRESA 7P+T 400V 3~	SOCKET CONNECTOR 7P+T 400V 3~
25	RA3081	0.1	SUPPORTO BARRA DIN 35x15	SUPPORT 35X15
26	VI7318	2	RONDELLA DENTELLATA M4	LOCK WASHER M4
27	VI7312	2	RONDELLA GREMBIULINA 4x16	WASHER 4X16
28	VI71615	2	VITE 4.8 METALLO ZN TC M4x12	SCREW 4.8 ZN M4X12
29	VI7318	2	RONDELLA DENTELLATA M4	LOCK WASHER M4
30	VI7212	2	DADO M4	NUT M4
31	VI74004	4	VITE TSP BRUGOLA M3x10	SCREW M3X10
32	PG5064	4	DISTANZIALE FILETTATO M5 L.15 CON GANCIO	THREADED SPACER M5 L.15
33	PE2347D	1	SCHEDA C.ELETTR.TVAP20	ELECTRONIC BOARD TVAP20
33A	VI7148	4	VITE 4.8 METALLO ZN TC TC M3X8	SCREW
33B	PG5064	4	DISTANZIALE FILETTATO M5 L.15 CON GANCIO	THREADED SPACER M5 L.15
33C	PE26006	1	ELETTRONICA CONTROLLO BT X VALVOLA MOT.	ELECTRONIC CONTROL MOTOR. VALVE
34A	VI74004	4	VITE TSP BRUGOLA M3x10	SCREW M3X10
34B	PG5064	4	DISTANZIALE FILETTATO M5 L.15 CON GANCIO	THREADED SPACER M5 L.15
34C	PE2349	1	SCHEDA CONTATTORI POTENZA TVAP30	ELECTRONIC BOARD TVAP30
35	PE20015	3	MORSETTO PER STEAM BOX 10mmq	CONNECTOR 10mmq
36	PE20025	1	MORSETTO DI TERRA 10mmq M10/10	CONNECTOR EARTHING 10mmq M10/10
36A	PE20035	1	PIASTRINA TERMINALE PER MORSETTO M10/10	TERMINAL PLATE FOR CONNECTOR M10/10
36B	PE20045	1	SEPARATORE DI CIRCUITO PER MORSETTO	SEPARATOR FOR CONNECTOR
37	PE2351	1	CONTATTORE POTENZA 230/50-60Hz 25A	CONTACTOR 230/50-60Hz 25A
39A	VI7157	4	VITE 4.8 METALLO ZN. TC. M4X16	SCREW
39B	VI7318	4	RONDELLA DENTELLATA M4	WASHER
39C	PE20475	2	TERMOSTATO BULBO 230° R.A. CAP.L.1.500	THERMOSTAT 230°
40	PE40025	1	VENTOLA RAFFREDDAMENTO 92x92x25	COOLING FAN 92X92X25
41	PE40015	1	GRIGLIA PROTEZIONE PER VENTOLA 92x92	PROTECTION GRILL FOR FAN 92X92
42	VI71698	4	VITE M4x40 TC TC	SCREW M4X40
46	RA3089	1	BLOCCHETTO 4 VIE PER PRESS. S.TECH 1/8F	COLLECTOR
48	RA3168	1	TAPPO OTTONE 1/8M	BOILER DRAIN CAP
49	RA3186	1	RACCORDO DIRITTO 1/8"M OGIVA 4/2	STRAIGHT VALVE 1/8"M Ø 4/2
50	RA3180	1	RACCORDO GOMITO 1/8"Mx1/4"F	ELBOW VALVE 1/8"MX1/8"F
51	PE2420	1	PRESSOSTATO 16A 250V 9-15 bar	PRESSURE SWITCH 16A 250V 9-15 bar
52A	VI7318	2	RONDELLA DENTELLATA M4	LOCK WASHER M4
53	VI71695	2	VITE M4X35 TC TC NIC. UNI7687 DIN7985	SCREW M4X25
54	RA3210	mt. 0.68	TUBO TEFLON Ø4x2	TEFLON HOSE Ø 4X2

55	PG5338	mt. 0.66	TUBO GOMMA EPDM NERO ø7x10	EPDM HOSE Ø 7X10
56	PE2046	1	POMPA ET3000 3/8" FF	PUMP
57	VI7188	2	VITE TCB T.CROCE ZN M6X10	SCREW
58	PE2425	1	DEAREATORE PER ET3000	BLEEDER VALVE FOR PUMP
59	RA33008	mt. 1,050	TUBO POLIUREATANO BLU ø6x8	HOSE Ø 6X8
60	PG5360	mt. 0,78	TUBO EPDM 12x15	EPDM HOSE 12X15
61	PG5247	1	FASCETTA BIFILIARE 9,8-10,4	CLAMP
62	PG5338	mt 0,050	TUBO GOMMA EPDM NERO Ø7X10	HOSE Ø7X10
63	PG5246	1	FASCETTA BIFILIARE 10,4-11	CLAMP
64	RA31815	1	RACCORDO GOMITO 3/8" M 6X8	ELBOW JOINT 3/8" M 6X8
65	RA3201	mt. 0,58	TUBO TEFLON ø6x8	TEFLON HOSE Ø 6X8
66	PG5360	mt. 0,54	TUBO EPDM 12x15	EPDM HOSE 12X15
67	RA32005	1	RIDUZIONE 3/8M 1/8F	RIDUCTION 3/8M 1/8F
68	RA30372	1	RACCORDO GOMITO 6X8-1/8" M GIREVOLE I/R	ELBOW JOINT 6X8 1/8" M
69	RA33008	mt. 0,57	TUBO POLIUREATANO BLU ø6x8	HOSE Ø 6X8
70	PG5360	mt. 0,32	TUBO EPDM 12x15	EPDM HOSE 12X15
71	PE2046	1	POMPA ET3000 3/8" FF	PUMP
72	VI7188	2	VITE TCB T.CROCE ZN M6X10	SCREW
73	RA31607	1	RACCORDO GOMITO 3/8" M 3/8" F OTTONE	ELBOW JOINT 3/8" M 3/8" F
74	RA32007	1	RIDUZIONE 3/8M 1/4F	RIDUCTION 3/8M 1/4F
75	RA32018	1	RACCORDO GOMITO 6X10 1/4" M (OGIVA)	ELBOW JOINT 6X10 1/4" M (OGIVA)
76	RA33107	mt. 0,51	TUBO TEFLON Ø 6X10	HOSE TEFLON Ø6X10
77	PG5360	mt.0,45	TUBO EPDM 12X15 STEAM TECH	HOSE EPDM 12X15
78	RA32005	1	RIDUZIONE 3/8M 1/8F	RIDUCTION 3/8M 1/8F
79	RA31058	1	RACCORDO GOMITO 6X8-1/8" M GIREVOLE I/R	ELBOW JOINT 6X8 1/8M
80	RA33008	mt. 0,62	TUBO POLIURETANO BLU Ø 6X8	HOSE Ø6X8
81	PG5360	mt. 0,45	TUBO EPDM 12X15 STEAM TECH	EPDM HOSE 12X15
108	CA16198	1	STAFFA COMPLETA INGRESSO ALIMENT. IND/PROF	SUPPORT MOUNT FOR POWER CORD
109	RA31557	1	ATTACCO PER RETE IDRICA 3/8" Fx1/4" F IDROBOX	COUPLER - DIRECT WATER FEED
109A	FL9000	1	FILTRO DET/ACQUA PER STEAM TECH	FILTER
110	VI71614	2	VITE TSP M4x20 INOX	SCREW M4X20 ST. STEEL
110A	RA32007	1	RIDUZIONE 3/8" G m 1/4" G f	REDUCTION 3/8" G 1/4" G
110B	RA31474	1	RACCORDO GOMITO 1/4" G m x 1/4" G m	ELBOW JOINT 1/4" G m x 1/4" G m
110C	PE23298	1	ELETTROV. 6611 + BOBINA B6 230V DN4	SOLENOID VALVE
111	RA31044	1	RACCORDO GOMITO 1/4" G m x 1/4" G f	ELBOW JOINT 1/4" G m x 1/4" G f
111A	RA30704	1	RIDUZIONE 1/4" G m 1/8" G f	REDUCTION 1/4" G m 1/8" G f
111B	RA31058	1	RACCORDO GOMITO 6x8 - 1/8" G m GIREVOLE	ELBOW JOINT 6X8 1/8" m GIREVOLE
111C	RA33008	mt. 0.38	TUBO POLIURETANO BLU Ø 6X8	HOSE Ø 6X8
111D	PG5360	mt. 0.3	TUBO EPDM 12x15	EPDM HOSE 12X15
112	PE20033	1	PRESSACAVO PLASTICA GRIGIA PG21	PLASTIC CABLEPRESS PG21
113	85120220	4	VITE TBEI M6x10 INOX	SCREW M6X10 ST. STEEL
116	RA20008	1	COLLETTORE 76X40X20 2X1/4F 1/4F PASSANTI	COLLECTOR
117	RA31875	2	RACCORDO DIRITTO 1/4" Mx1/4" M	STRAIGHT VALVE 1/4" Mx1/4" M
118	RA34094	2	VALVOLA NON RITORNO MOLLA DEBOLE	NON RETURN VALVE - LIGHT SPRING
119	RA32028	2	RACCORDO GOMITO 6x10 1/4" F (OGIVA)	ELBOW VALVE 6X10 1/4" F
121	RA31474	2	RACCORDO GOMITO 1/4" Mx1/4" M	ELBOW VALVE 1/4" Mx1/4M
122	RA34084	1	VALVOLA NON RITORNO MOLLA DURA	NON RETURN VALVE
122A	RA34094	1	VALVOLA NON RITORNO MOLLA DEBOLE	NON RETURN VALVE - LIGHT SPRING
123	RA32028	1	RACCORDO GOMITO 6x10 1/4" F (OGIVA)	ELBOW VALVE 6X10 1/4" F
124	RA32008	1	RACCORDO DIRITTO 6X10-1/4" M (OGIVA)	STRAIGHT VALVE
124A	RA33107	mt. 0.4	TUBO TEFLON ø6x10	TEFLON HOSE Ø 6X10
124B	PG5360	mt. 0.35	TUBO EPDM 12x15	EDMP HOSE 12X15
125	RA32008	1	RACCORDO DIRITTO 6X10 -1/4" M (OGIVA)	STRAIGHT VALVE
126	VI72023	2	DADO M8 INOX	NUT M8 - ST. STEEL
126A	VI7318	2	RONDELLA DENTELLATA M4	LOCK WASHER M4
127	VI71695	2	VITE M4x35 TC TC	SCREW M4X35
128	RA33107	mt. 0.565	TUBO TEFLON ø6x10	TEFLON HOSE Ø 6X10
129	PG5360	mt. 0.52	TUBO EPDM 12x15	EPDM HOSE 12X15
130	RA33107	mt. 0.465	TUBO TEFLON ø6x10	TEFLON HOSE Ø 6X10
131	PG5360	mt. 0.41	TUBO EPDM 12x15	EPDM HOSE 12X15
132	RA33107	mt. 0.60	TUBO TEFLON ø6x10	TEFLON HOSE Ø 6X10
133	PG5360	mt. 0.57	TUBO EPDM 12x15	EPDM HOSE 12X15
134	PE20328	1	CABLAGGIO X1 STEAM BOX PROF 400V 10800W	WIRING - ELECTRIC BOX
135	VI7303	2	RONDELLA DENTELLATA M6	LOCK WASHER M6
136	VI7167	1	VITE F/R TE 6.3x13-14x1/2	SCREW 6,3X13-14X1/2
137	PE20338	1	CABLAGGIO X2 STEAM BOX PROF 400V 10800W	WIRING - MACHINE
137A	PE20348	2	CAVO CONNESSIONE RS1 STEAM BOX PROF	CABLE CONNECTION RS1



137B	PE20358	2	CAVO CONNESSIONE RS2 STEAM BOX PROF	CABLE CONNECTION RS2
138	PE21091	8	CAVO ALIMENTAZIONE H07RN-F4G4	POWER CORD
139	PE32018	1	SPINA 3P+T 230V 32A	PLUG 3P+T 230V 32A
140A	09W5038	1	CALDAIA COMPL. STEAM BOX PROF 7200W	BOILER STEAM BOX
141	9905038	1	CALDAIA S.B.PROF C/RES. 7200W	BOILER W/ HEATING ELEMENT 7200W
141A	PG51396	2	GUARNIZIONE RAME Ø42x50x1.5	COPPER GASKET Ø 42X50X1,5
141B	PE25226	2	RESISTENZA 230V 3600W 1" ¼	HEATING ELEMENT 230V 3600W
142	RA31474	1	RACCORDO GOMITO 1/4"M-1/4"M	ELBOW VALVE 1/4"M-1/4"M
143	RA31014	1	RACCORDO A Y 1/4"Fx1/4"Fx1/4"F	Y VALVE 1/4"FX1/4"FX1/4"F
144	RA31875	1	RACCORDO DIRITTO 1/4"MX1/4"M	STRAIGHT VALVE 1/4"MX1/4"M
145	RA34084	1	VALVOLA NON RITORNO MOLLA DJURA	NON RETURN VALVE
146	RA31044	1	RACCORDO GOMITO 1/4"MX1/4"F	ELBOW VALVE 1/4"MX1/4"F
147	RA31675	1	RACCORDO GOMITO 6x8 1/4"F	ELBOW VALVE 6X8 1/4"F
147A	RA30704	1	RIDUZIONE 1/4"M 1/8"F	REDUCTION
148	RA3155	1	RACCORDO GOMITO 1/8M X4/2 (OGIVA)	ELBOW VALVE
149	RA31037	1	RACCORDO A T 1/4"FX1/4"FX1/4"M	3-WAYS VALVE 1/4FFM
150	RA31874	1	RACCORDO DIRITTO 1/4"MX1/4"FXM22	STRAIGHT VALVE 1/4"MX1/4"FXM22
151	RA34064	1	VALVOLA SICUREZZA 97/23CE > 50 12 bar 1/4"M	SAFETY VALVE 97/23CE > 50 12 bar 1/4"M
152	RA30194	1	PORTAGOMMA M22x1.5xØ25 L.60	TUBE COUPLER M22X1,5XØ25 L.60
153	PE23024	1	ELETTROVAL. SERIE99 PTFE DN 2.8 20VA 1/4"Fx1/4"F	SOLENOID VALVE 99 PTFE DN 2.8
154	PE23014	2	ELETTROVAL. SERIE99 PTFE DN 1.5 1/4"Fx1/4"F	SOLENOID VALVE 99 PTFE DN 1.5
155	RA32018	3	RACCORDO GOMITO 6X10 1/4"M (OGIVA)	ELBOW VALVE 6X10 1/4"M
156	RA33274	1	TAPPO OTTONE CON SONDA L.190 + SIC. 15bar	BRASS CAP LVL CONT. FLOAT L.190
157	PG51033	1	GUARNIZIONE TEFLON Ø33.2x40x2	TEFLON GASKET Ø33,2X40X2
160A	PE23447	2	TERMOSTATO 235° RIPRISTINO R.A.	THERMOSTAT 235°
160B	VI7318	2	RONDELLA DENTELLATA M4	LOCK WASHER M4
160C	VI7130	2	VITE AUTOFILETTANTE NICHELATA TC TC 3.5x9.5	SCREW 3,5X9,5
161	PE2334	2	TERMOSTATO 175° RIPRISTINO	RESET THERMOSTAT 175°
162	IS40204	1	ISOLANTE CALDAIA S/BOX PROF	BOILER INSULATION
162A	IS40208	1	FONDELLO X ISOLANTE CALDAIA Ø163.8	BOILER INSULATION
163	85120230	3	VITE TBEI ISO 7380 M6X16 INOX	SCREW
163A	VI73036	3	RONDELLA DENTELLATA INOX M6	WASHER
164	PG53827	mt. 0,48	CALZA VETRO SILICONE 6X8 ROSSO	SILICON GLASS SHIELD RED
165	PG52074	1	GUARNIZIONE SILICONE Ø50 SP.4(REV.2)	EPDM GASKET Ø50
166	RA31634	1	TAPPO DRENAGGIO 1 1/2"F	BOILER DRAIN CAP 1 1/2"F
167	CA16298	1	STAFFA FISSAGGIO FUSTO PROF	FIXING MOUNT FOR VACUUM DRUM
167A	85120220	2	VITE TBEI ISO 7380 M6X10 INOX	SCREW M6X10 INOX
168	CA16296	1	STAFFA FISSAGGIO SERBATOI	FIXING MOUNT FOR TANKS
168A	85120220	2	VITE TBEI ISO 7380 M6X10 INOX	SCREW M6X10 INOX
169	PG52005	mt. 0.28	TUBO SILICONE NERO 25x28	SILICONE HOSE 25X28
170	CA127DX	1	SERBATOIO DETERGENTE STEAM BOX PROF	DETERGENT TANK
171	FL9000	1	FILTRO DETERGENTE ACQUA	WATER / DETERGENT FILTER
171A	RA37018	1	RACCORDO PORTAFILTRO	VALVE FOR FILTER
171B	PG50008	1	GOMMINO ESPANSIONE	RUBBER
171C	PP00018	1	RONDELLA M16 PLASTICA	WASHER
171D	PP00028	1	DADO M16 PLASTICA	NUT
173	RA31058	1	RACCORDO GOMITO 6X8 - 1/8"M GIREVOLE	ELBOW VALVE
174	PE2327	1	INTERRUTTORE REED GALLEGGIANTE	TANK FLOAT - HORIZ.
175	PG5123	1	OR 29.82x2.62 SILICONE ROSSO	O-RING 29,82X2,62 SILICONE
176	RA3320	1	TAPPO NERO SCARICO SERBATOIO	DRAIN CAP WATER / DET. TANK
177	CA127SX	1	SERBATOIO ACQUA STEAM BOX PROF	WATER TANK
178	FL9000	1	FILTRO DETERGENTE ACQUA	WATER / DETERGENT FILTER
178A	RA37018	1	RACCORDO PORTAFILTRO	VALVE FOR FILTER
178B	PG50008	1	GOMMINO ESPANSIONE	RUBBER
178C	PP00018	1	RONDELLA M16 PLASTICA	WASHER
178D	PP00028	1	DADO M16 PLASTICA	NUT
180	RA31058	1	RACCORDO GOMITO 6X8 - 1/8"M GIREVOLE I/R	ELBOW JOINT 6X8- 1/8"M GIREVOLE
181	PE2327	1	INTERRUTTORE REED GALLEGGIANTE	TANK FLOAT - HORIZ.
182	RA31068	1	RACCORDO DIRITTO 6X8 - 1/8"M GIREVOLE I/R	ELBOW STRAIGHT 6X8 1/8"M
183	PE2327	1	INTERRUTTORE REED GALLEGGIANTE	TANK FLOAT - HORIZ.
184	RA31058	1	RACCORDO GOMITO 6X8 - 1/8"M GIREVOLE	ELBOW VALVE
185	PG5123	1	OR 29.82x2.62 SILICONE ROSSO	O-RING 29,82X2,62 SILICONE
186	RA3320	1	TAPPO NERO SCARICO SERBATOIO	DRAIN CAP WATER / DET. TANK
187	PE30015	1	TELAIO INCERNERIATO 3 MODULI PER CUSTODIA	FRAME FOR 3 CONNECTORS
188	PE30035	1	FRUTTO 1 MODULO PER CONTATTO F 12P	CONNECTOR FOR 12P CONTACT
189	PE30045	1	CUSTODIA DA PANNELLO CON LEVA	CONNECTOR COVER W/ SNAP
190	VI7137	4	VITE AUTOFILETTANTE TC TC Ni 3.5x13	SCREW 3,5X9,5

191	PP00195	1	BLOCCHETTO ISOLANTE ALTA TEMP. PER UGELLO	INSULATION BLOCK FOR NOZZLE
192	7200124	1	ATTACCO PER UGELLO MASCHIO 1/8" F M8x1 F	COUPLER FOR MALE NOZZLE
193	PG51004	1	GUARNIZIONE TEFLON + OR SILICONE	TEFLON GASKET + OR SILICONE
193A	PG51428	1	OR 2037 9,25 X 1,78 FLUORAZ	O-RING
194	7200134	1	UGELLO MASCHIO M8x1 M	MALE NOZZLE M8X1 M
195	VI7339	1	RONDELLA DI SPESSORAMENTO 10x16x0.5	WASHER 10X16X0,5
196	RA3142	1	RACCORDO DIRITTO 1/8" Fx1/8" M	STRAIGHT VALVE 1/8" FX1/8" M
196A	RA30724	1	RIDUZIONE 1/4" F 1/8" M	REDUCTION 1/4F 1/8M
197	RA32008	1	RACCORDO DIRITTO 6x10 1/4" M (OGIVA)	STRAIGHT VALVE 6X10 1/4" M
198	CA19038	1	MANTELLINO SX STEAM BOX PROF	LEFT PANEL - S. BOX IND.
199	85120220	4	VITE TBEI ISO 7380 M6X10 INOX	SCREW M6X10 - ST. STEEL
200	CA19048	1	MANTELLINO DX STEAM BOX PROF	RIGHT PANEL - S. BOX IND.
201	85120220	9	VITE TBEI ISO 7380 M6X10 INOX	SCREW M6X10 - ST. STEEL
202	CA19028	1	COFANO S.BOX IND/PROF (SI ASP.) SALDATO	TOP PANEL - VACUUM
203	85120220	8	VITE TBEI ISO 7380 M6X10 INOX	SCREW M6X10 - ST. STEEL
204	PG51458	1	PASSATUBO Øi 80 WATER	O-RING FOR ELECTRIC TUBING
205	PG51468	1	PASSATUBO Øi 80 DETERGENT	O-RING FOR ELECTRIC TUBING
206	PP00008	2	TAPPO VENTILATO 80 PASSO 6 SENZA VALVOLA	CAP FOR FUNNEL
207	CA19058	1	COPERCHIO QUADRO ELETTRICO S/BOX PROF	COVER FOR ELECTRIC BOX
208	85120220	4	VITE TBEI ISO 7380 M6X10 INOX	SCREW M6X10 - ST. STEEL
209	FS00074	1	FUSTO h230 PORTA ASPIRATORE S.BOX. PROF.	PLASTIC VACUUM DRUM H230
210	CA16276	1	STAFFA OMEGA SUPPORTO/DISTANZIALE FUSTO	SUPPORT MOUNT FOR DRUM
211	VI81004	2	VITE TBEI ISO 7380 M6X25 INOX	SCREW M6X25
212	PG51047	2	OR 5,23X2,62 NBR NERO OR3021/AS107	O-RING