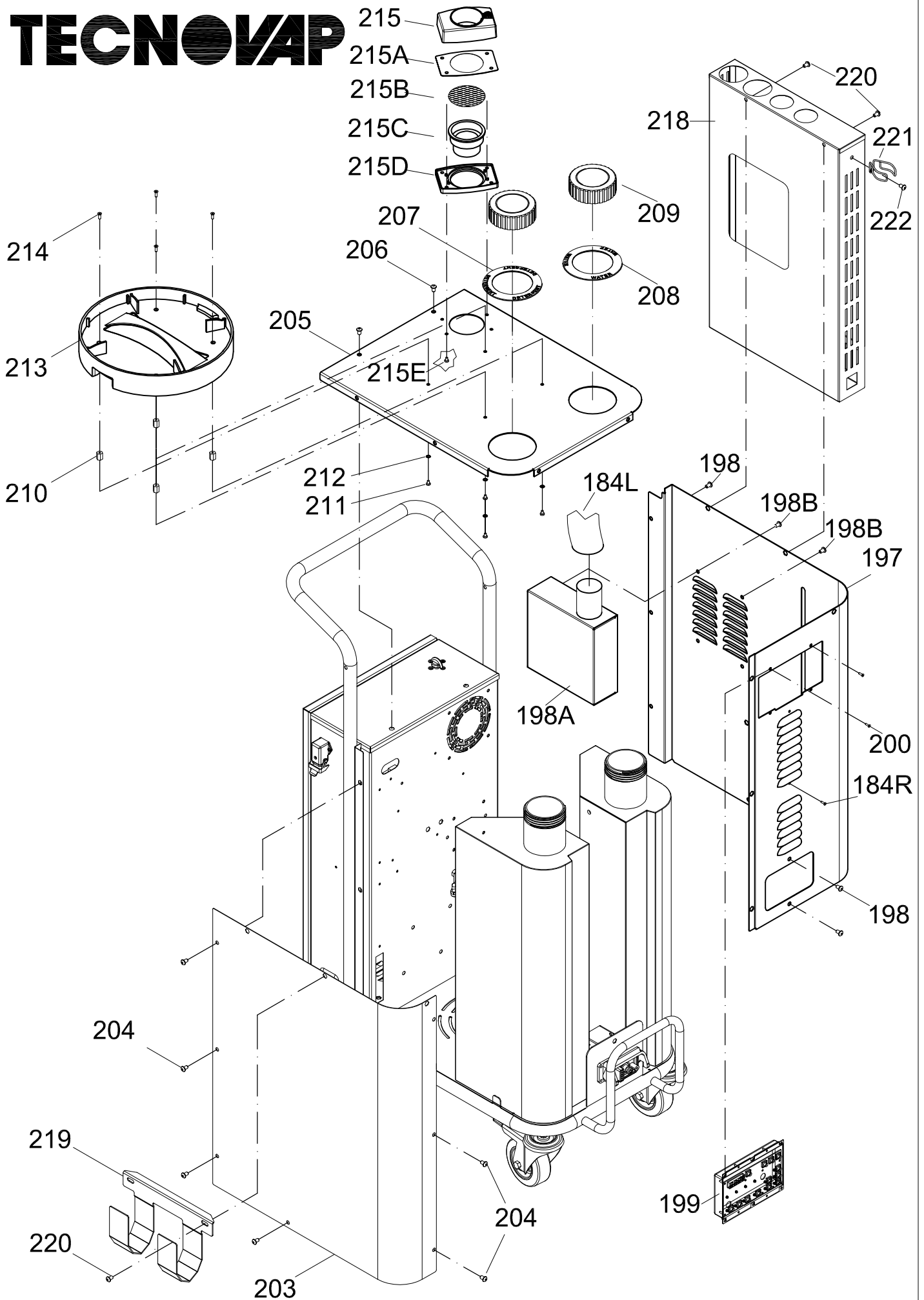
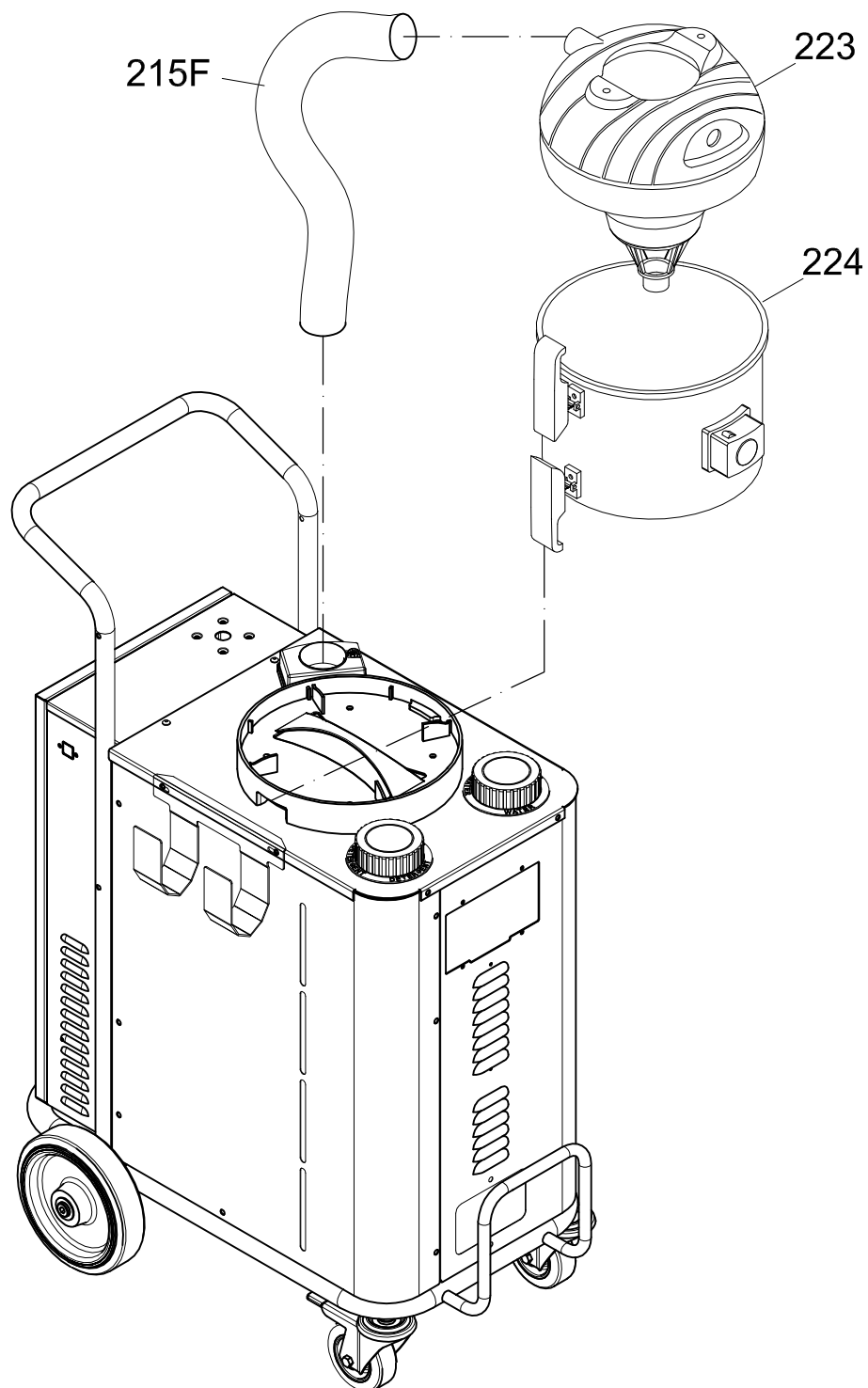


# TECNOVAP





**STEAM BOX PROFESSIONAL 10,0 kW H2O cod. 4W05T10V1 REV.2 13/10/16**

Pos.	CODICE	Q.tà	DENOMINAZIONE	DENOMINATION
1	CR40006V2	1	CARRELLO S.B. INDUSTRIAL/PROF SALDATO	COMPLETE TROLLEY FOR STEAM BOX IND.
2	PG54098	2	RUOTA Ø100 GIREVOLE CON FRENO BLU	WHEEL Ø100 10MAX20 - SWIVEL W/ BRAKE
3	VI75008	2	RONDELLA INOX M12 UNI6592 DIN125A	WASHER
4	VI71258	2	VITE TCEI M12x30 INOX	SCREW M12X30
5	PG54168	2	RUOTA POSTERIORE Ø200 S.BOX BLU	REAR WHEEL Ø 200
6	VI7336	2	RONDELLA INOX M20	WASHER INOX M20
7	CR4006E	2	RONDELLA 16X32 PER RUOTE CARRELLO INOX	WASHER
8	RA3163	2	TAPPO 3/8M	CAP
9	PE21998V1	1	QUADRO ELETTRICO S.BOX PROF.	ELECTRIC BOX S/BOX PROF ST. STEEL
9A	Q405T10	1	QUADRO ELETTRICO STEAM BOX PROF COMPLETO	ELECTRIC BOX STEAM BOX PROF ST. STEEL COMPLETE
10	85120220	2	VITE M6X10 BUTTON HEAD INOX ISO7380	SCREW M6X10 INOX
11	VI76005	2	VITE M6X35 BUTTON HEAD INOX ISO7380	SCREW M6X35 INOX
12	PG5308	1	PASSATUBO 3,8-8,5x3-9x3x25 ELIS	MOUTHPIECE 3,8-8,5X3-9X3X25
13	PG5339	1	PASSATUBO TAPPO Ø46x38x11 GAL	MOUTHPIECE Ø46X38X11
14	PG5145	1	GUARNIZIONE TUBI PASSAGGIO	O-RING FOR ELECTRIC TUBING
15	PE21023	1	CUSTODIA PANNELLO 90° METALLO	CONNECTOR COVER 90°
16	VI71473	2	VITE TC TC M3X10 INOX UNI 7687 DIN7985	SCREW TC TC M3X10
17	PE21053	1	FRUTTO PRESA 7P+T 400V 3~	SOCKET CONNECTOR 7P+T 400V 3~
18	PE21021	1	COVER CUSTODIA PANNELLO 90° METALLO	CONNECTOR CAP
18A	CA51804V1	1	STAFFA CERNIERA PER INVERTER COMPLETA	HINGE BRACKET FOR INVERTER COMPLETE
18B	VI7044	2	RIVETTO ACCIAIO INOX Ø4X10,2	RIVET STEEL Ø4X10,2
18C	CA51754V1	1	STAFFA CERNIERA SU INVERTER COMPLETA	BRACKET HINGE ON INVERTER COMPLETE
18D	PE51754	1	INVERTER FC51 0,75KW / 0,75 Hp 380-480 VAC	INVERTER FC51 0,75KW / 0,75 Hp 380-480 VAC
18E	VI71216	3	VITE TC TC M4X10 INOX UNI7687 DIN7985	SCREW 4x10
18F	PE51804	1	COVER CHIUSURA VANO DISPLAY INVERTER	COVER CLOSING DOOR DISPLAY INVERTER
18G	PG51755	mt. 0,40	SPIRALE PE NERA Ø15,24	SPIRAL PE BLACK Ø15,24
19	PE40009	1	VENTOLA RAFFREDDAMENTO 120x120x38	COOLING FAN 92X92X25
20	PE40093	1	GRIGLIA PROTEZIONE X VENTOLA 120x120 MET	PROTECTION GRILL FOR FAN 92X92
21	VI70703	4	VITE M4X50 TC TC INOX UNI7687 DIN7985	SCREW M4X50
22	PE22763	1	INTERRUTTORE TRIPOLARE 25A 690V Ith32A	SWITCH 25A 690V Ith 32A
23	VI71622	4	VITE TSP TC 5x12 ZX PER PLASTICA	SCREW M5x12
24	PE64C32	1	SCHEDA S/B/MINI UNITA' POTENZA COMPL	ELECTRONIC BOARD
25	PE20331	1	FLAT CABLE 20P STEAM BOX PROF L.1050	FLAT CABLE 20P L.1050
27	PE20025	1	MORSETTO DI TERRA 10mmq M10/10.P	CONNECTOR FOR EARTHING 10mmq M10/10
28	PE20035	1	PIASTRINA TERMINALE X MORSETTO M10/10	TERMINAL PLATE FOR CONNECTOR M10/10
29	PE20015	3	MORSETTO X S/BOX PROF/IND 10mmq M10/10	CONNECTOR 10mmq
30	PE20045	1	SEPARATORE DI CIRCUITO X MORSETTO M10/10	SEPARATOR FOR CONNECTOR
30A	PE23644	1	RELAY MODULARE 6mm SSR 230VAC-24VDC 2A	MODULAR 6mm RELAY SSR 230VAC-24VDC 2A
31	PE20005	6	MORSETTO X S/BOX PROF/IND 4mmq D4/6.T3.P	CONNECTOR 10mmq
32	PE20045	1	SEPARATORE DI CIRCUITO X MORSETTO M10/10	SEPARATOR FOR CONNECTOR
33	PE20005	7	MORSETTO X S/BOX PROF/IND 4mmq D4/6.T3.P	CONNECTOR 4mmq
34	PE2068	1	PORTAFUSIBILE SEZ.1P+N 20A	FUSE HOLDER 1P+N 20A
35	PE20676	1	FUSIBILE 2A 400V 10,3X38	FUSE 2A 400V 10,3X38
36	PE27503	1	VARISTORE S20K300	VARISTOR
37	PE2351	3	CONTATTORE POTENZA 230/50-60Hz 25A	CONTACTOR 230/50-60Hz 25A
38	PE20517	1	AUTO. 400VA 400/230V+TRASFO.10VA 400/12V	SELFTRANSFORMER
39	VI71615	4	VITE TC M4X12 ZN UNI 7687 DIN 7985	SCREW M4X12
40	VI7314	4	RONDELLA GREMBIULINA ZN 4x12	WASHER 4X12
41	VI7318	4	RONDELLA DENTELLATA ZN ESTERNA Ø4	LOCK WASHER Ø4
42	PE2046	1	POMPA ET3000 3/8" FF	PUMP ET3000 3/8" FF
43	VI7157	2	VITE 4.8 METALLO ZN TC M4X16	SCREW M4X16
43A	VI7312	2	RONDELLA GREMBIULINA ZN4X16	WASHER 4X16
44	RA30442	1	RACCORDO GOMITO 3/8"M-1/8"F	ELBOW FITTING 3/8"M-1/8"F
45	RA26021	1	PORTAGOMMA DIRITTO 1/8"M PG9	BARBED FITTING 1/8"M Ø9
46	RA33611	mt. 0,67	TUBO TRASPARENTE RETINATO 14x8	TRASPARENT BRAIDED TUBE 14X8
47	PG53864	mt. 0,57	CALZA VETRO SILICONE ROSSO Øi 16	SILICON GLASS SHIELD RED Øi 16
48	PG5200	2	FASCETTA CLIC 14-16/6 (135-VERDE)	CLAMP CLIC 14-16/6 (135-GREEN)
49	PE2425	1	DEAREATORE PER ET3000 STEAM TECH	BLEEDER VALVE FOR PUMP
50	RA33611	mt. 1,17	TUBO TRASPARENTE RETINATO 14x8	TRASPARENT BRAIDED TUBE 14X8
51	PG53864	mt. 1,07	CALZA VETRO SILICONE ROSSO Øi 16	SILICON GLASS SHIELD RED Øi 16
52	PG5200	2	FASCETTA CLIC 14-16/6 (135-VERDE)	CLAMP CLIC 14-16/6 (135-GREEN)
53	RA31815	1	RACCORDO A GOMITO 6X8-3/8"M	ELBOW FITTING 6X8-3/8"M
54	RA3201	mt. 0,65	TUBO TEFLON Ø6X8	HOSE TEFLON Ø6X8
55	PG53831	mt. 0,60	CALZA VETRO SILICONE ROSSO Øi 9	SILICON GLASS SHIELD RED Øi 9
56	PE2046	1	POMPA ET3000 3/8" FF	PUMP ET3000 3/8" FF
57	VI7157	2	VITE 4.8 METALLO ZN TC M4X16	SCREW M4X16
57A	VI7312	2	RONDELLA GREMBIULINA ZN4X16	WASHER 4X16



58	RA30442	1	RACCORDO GOMITO 3/8"M-1/8"F	ELBOW FITTING 3/8"M-1/8"F
59	RA26021	1	PORTAGOMMA DIRITTO 1/8"M PG9	BARBED FITTING 1/8"M Ø9
60	RA33611	mt. 0,69	TUBO TRASPARENTE RETINATO 14x8	TRASPARENT BRAIDED TUBE 14X8
61	PG53864	mt. 0,59	CALZA VETRO SILICONE ROSSO Øi 16	SILICON GLASS SHIELD RED Øi 16
62	PG5200	2	FASCETTA CLIC 14-16/6 (135-VERDE)	CLAMP CLIC 14-16/6 (135-GREEN)
63	RA31607	1	RACCORDO GOMITO 3/8"M CIL.-3/8"F CIL.	ELBOW FITTING 3/8"M-3/8"F
64	RA32007	1	RIDUZIONE 3/8"M-1/4"F	REDUCTION 3/8"M-1/4"F
65	RA32018	1	RACCORDO GOMITO 6x10-1/4"M (OGIVA)	ELBOW FITTING 6X10-1/4"M
66	RA33107	mt. 0,56	TUBO TEFLON Ø6X10	HOSE TEFLON Ø6X10
67	PG53807	mt. 0,49	CALZA VETRO SILICONE ROSSO Øi 10	SILICON GLASS SHIELD RED Øi 10
68	VI42013	2	BOCCOLA DI SUPPORTO Ø6.2	BUSH SUPPORT Ø6,2
69	RA30303	1	STAFFA PRESSOSTATO STEAM BOX PROF	SUPPORT PRESSURE SWITCH
70	VI7157	2	VITE 4.8 METALLO ZN TC M4X16	SCREW M4X16
71	VI7318	2	RONDELLA DENTELLATA ZN ESTERNA Ø4	LOCK WASHER Ø4
72	VI7103	3	VITE KF NIC3,5X6,5-6X1/4 DIN7981 UNI6954	SCREW 3,5X6,5
73	PE24123	1	PRESSOSTATO 16A 9-15bar BOX IP54 1/8"M	PRESSURE SWITCH 16A 9-15 bar BOX IP54
74	RA31863	1	RACCORDO DIRITTO 1/8"F-4X2 OGIVA	STRAIGHT FITTING 1/8"F 4X2 OGIVE
75	RA3210	mt. 0,65	TUBO TEFLON Ø4X2	TEFLON HOSE Ø4X2
76	PG5338	mt. 0,60	TUBO GOMMA EPDM NERO Ø7x10	EPDM HOSE Ø 7X10
77	CA16200V1	1	STAFFA INGR. ALIMENT.S/B.IND/PROF xISO25	SUPPORT MOUNT FOR POWER CORD
78	PE23370	1	ELETTROVALVOLA IN 3/4 M OUT J/G 8	SOLENOID VALVE 3 / 4 OUT J M / G 8
78A	PP23370	1	COPERCHIO ISOLANTE IN MYLAR SU RETE IDRICA	COVER INSULATION IN MYLAR
79	VI71216	2	VITE TC TC M4X10 INOX UNI7687 DIN7985	SCREW M4X10
80	RA33008	mt. 0,95	TUBO POLIURETANO BLU Ø6x8	BLUE POLYURETHANE HOSE Ø6X8
81	PG53831	mt. 0,85	CALZA VETRO SILICONE ROSSO Øi 9	SILICON GLASS SHIELD RED Øi 9
82	PR00014	1	PRESSACAVO OTT/NIC M32x1,5 SER.21mm	CABLEPRESS M32
82A	85120220	4	VITE M6X10 BUTTON HEAD INOX ISO7380	SCREW M6X10
83	PE20328V2	1	CABLAGGIO X1 STEAM BOX PROF 400V 14400W	STEAM POWER WIRING - ELECTRIC BOX SIDE
84	PG53843	mt. 0,35	CALZA VETRO SILICONE ROSSO Øi 14	SILICON GLASS SHIELD RED Øi 14
85	VI7303	2	RONDELLA DENTELLATA ZN M6	LOCK WASHER M6
86	VI7167	1	VITE F/R TE ZN.6,3X13-14X1/2 UNI 6950	SCREW 6,3X13
87	PE20338V2	1	CABLAGGIO X2 STEAM BOX PROF 400V 14400W	STEAM POWER WIRING - MACHINE SIDE
88	PG53843	mt. 1,11	CALZA VETRO SILICONE ROSSO Øi 14	SILICON GLASS SHIELD RED Øi 14
89	PE45TR0	1	CAVI RESISTENZE S/B/PROF 10,0KW PF	CABLE RESISTANCE 10,0 KW
90	PE20948V1	1	CAVO ALIMENTAZIONE S/B/PROF 4G4(3P+T)	POWER CABLE 4G4 (3P+T)
91	PE21083	mt. 8,67	CAVO ALIMENTAZIONE H07RN-F 4G2,5	POWER CABLE H07RN-F 4G2,5
92	PE1999	1	SPINA 3P+T 400V 16A	PLUG 3P+T 400V 16A
93	RA20008	1	COLLETTORE 76x40x20 2x1/4F 1/4F PASSANTI	COLLECTOR 76x40x20 2x1/4"F 1/4"F PASSANTI
94	RA31875	2	RACCORDO DIRITTO 1/4"M-1/4"M	STRAIGHT FITTING 1/4"M-1/4"M
95	RA34094	2	VALVOLA N/RITORNO MF MOLLA DEBOLE 1/4	NON RETURN VALVE - WEAK SPRING
96	RA32028	2	RACCORDO GOMITO 6x10-1/4"F (OGIVA)	ELBOW FITTING 6X10-1/4"F (OGIVE)
97	RA31474	1	RACCORDO GOMITO 1/4"M-1/4"M	ELBOW FITTING 1/4"M-1/4"M
98	RA34084	1	VALVOLA N/RITORNO MF MOLLA DURA 1/4	NON RETURN VALVE - HARD SPRING
99	RA32028	1	RACCORDO GOMITO 6x10-1/4"F (OGIVA)	ELBOW FITTING 6X10 1/4"F (OGIVA)
100	RA31474	1	RACCORDO GOMITO 1/4"M-1/4"M	ELBOW FITTING 1/4"M-1/4"M
101	RA34094	1	VALVOLA N/RITORNO MF MOLLA DEBOLE 1/4	NON RETURN VALVE- WEAK SPRING
102	RA32028	1	RACCORDO GOMITO 6x10-1/4"F (OGIVA)	ELBOW FITTING 6X10- 1/4"F (OGIVE)
103	RA33107	mt. 0,65	TUBO TEFLON Ø6X10	HOSE TEFLON Ø6X10
104	PG53807	mt. 0,60	CALZA VETRO SILICONE ROSSO Øi 10	SILICON GLASS SHIELD RED Øi 10
105	VI42013	2	BOCCOLA DI SUPPORTO Ø6.2	BRASS BUSH SUPPORT Ø6.2
106	RA33107	mt. 0,60	TUBO TEFLON Ø6X10	HOSE TEFLON Ø6X10
107	PG53807	mt. 0,55	CALZA VETRO SILICONE ROSSO Øi 10	SILICON GLASS SHIELD RED Øi 10
108	VI42013	2	BOCCOLA DI SUPPORTO Ø6.2	BRASS BUSH SUPPORT Ø6.2
109	RA33107	mt. 0,41	TUBO TEFLON Ø6X10	HOSE TEFLON Ø6X10
110	PG53807	mt. 0,36	CALZA VETRO SILICONE ROSSO Øi 10	SILICON GLASS SHIELD RED Øi 10
111	VI42013	2	BOCCOLA DI SUPPORTO Ø6.2	BRASS BUSH SUPPORT Ø6.2
112	RA32008	1	RACCORDO DIRITTO 6x10-1/4"M (OGIVA)	STRAIGHT FITTING 6x10-1/4"M (OGIVE)
113	RA33107	mt. 0,60	TUBO TEFLON Ø6X10	HOSE TEFLON Ø6X10
114	PG53807	mt. 0,55	CALZA VETRO SILICONE ROSSO Øi 10	SILICON GLASS SHIELD RED Øi 10
115	VI42013	2	BOCCOLA DI SUPPORTO Ø6.2	BRASS BUSH SUPPORT Ø6.2
116	VI72023	2	DADO M8 INOX UNI5588 ISO4032	NUT M8
117	VI71695	2	VITE M4X35 TC TC ZN UNI7687 DIN7985	SCREW M4X35 TC TC
118	VI7318	2	RONDELLA DENTELLATA ZN ESTERNA Ø4	LOCK WASHER Ø4
119	09W45T1	1	CALDAIA S/BOX PROF COMPL 10,0 kW H2O 10b	BOILER STEAM BOX
120	9904450	1	CALDAIA S.B.PROF C/RES. 10,0 kW	BOILER W/ HEATING ELEMENT 10,0 kW
121	PG51396	3	GUARNIZIONE RAME Ø42x50x1.5	COPPER GASKET Ø 42X50X1,5
122	PE25226	2	RESISTENZA 230V 3600W 1" ¼	HEATING ELEMENT 230V 3600W
122A	PE25047	1	RESISTENZA 240V 3000W 1" ¼	HEATING ELEMENT 240V 3000W
123	IS40204	1	ISOLANTE CALDAIA S/BOX PROF.	BOILER INSULATION
124	RA31473	1	CURVA 90° 1/4"M-1/4"M ANTICALCARE	SCALE CURVE 1/4"M-1/4"M

125	RA31014	1	RACCORDO A Y 1/4"F-1/4"F-1/4"F	Y JOINT 1/4"G fx1/4"G fx1/4"G f
126	RA31875	1	RACCORDO DIRITTO 1/4"M-1/4"M	STRAIGHT FITTING 1/4"M-1/4"M
127	RA34084	1	VALVOLA N/RITORNO MF MOLLA DURA 1/4	NON RETURN VALVE - HARD SPRING
128	RA31044	1	RACCORDO GOMITO 1/4"M-1/4"F	ELBOW FITTING 1/4"M-1/4"F
129	RA31675	1	RACCORDO GOMITO 6x8-1/4"F	ELBOW FITTING 6X8-1/4"F
130	RA30704	1	RIDUZIONE 1/4"M x 1/8"F	REDUCTION 1/4"M-1/8"F
131	RA3155	1	RACCORDO GOMITO 1/8"M-4X2 (OGIVA)	ELBOW FITTING 1/8"M-4X2(OGIVE)
132	RA31037	1	RACCORDO A T 1/4"F-1/4"F-1/4"M	3-WAYS FITTING 1/4"F-1/4"F-1/4"M
133	RA31874	1	RACCORDO DIRITTO 1/4"M-1/4"F x M22	STRAIGHT FITTING 1/4"M-1/4"F x M22
134	RA34164	1	VALVOLA SIC. 97/23CE 12bar 1/4"M KALREZ	SAFETY VALVE 97/23CE > 50 12 bar 1/4"M KALREZ
135	RA30194	1	PORTAGOMMA M22 x 1,5 x Ø25 L60	TUBE COUPLER M22X1,5XØ25 L.60
136	PE23024	1	ELETT.SERIE99 PTFE DN 2,8 20VA 1/4Fx1/4F	SOLENOID VALVE 99 PTFE DN 2,8
137	PE23014	2	ELETT.SERIE99 PTFE DN 1,5 1/4Fx1/4F	SOLENOID VALVE 99 PTFE DN 1,5
138	RA32018	3	RACCORDO GOMITO 6x10-1/4"M (OGIVA)	ELBOW FITTING 6X10-1/4"M (OGIVE)
139	RA33274	1	TAPPO OTTONE C/SONDA C.L.mm190+SIC.15bar	BRASS CAP LVL CONT. FLOAT L.190
140	RA34067	1	VALV SIC 97/23CE > 50 15bar 1/4"M KALREZ	SAFETY VALVE 97/23CE > 50 15 bar 1/4"M
141	PG51033	1	GUARNIZIONE TEFLON Ø33,2x40x2	TEFLON GASKET Ø33,2X40X2
142	PE2344	3	TERMOSTATO 275°C RIPRISTINO	THERMOSTAT 275°C
143	VI7130	3	VITE AUT. NIC. TC TC 3,5X9,5	SCREW 3,5X9,5
144	VI7318	3	RONDELLA DENTELLATA ZN ESTERNA Ø4	LOCK WASHER Ø4
144A	PE23447	1	TERMOSTATO 235°C R.A. 16A	THERMOSTAT 235°C
144B	VI7130	1	VITE AUT. NIC. TC TC 3,5X9,5	SCREW 3,5X9,5
144C	VI7318	1	RONDELLA DENTELLATA ZN ESTERNA Ø4	LOCK WASHER Ø4
145	PE2334	2	TERMOSTATO 175°C RIPRISTINO	THERMOSTAT 175°C
146	PE20532	1	TERMORESISTENZA PT1000 L.200 COMPL	PROBE PT1000 L.200
147	85120230	3	VITE M6X16 BUTTON HEAD INOX ISO7380	SCREW M6X16 INOX
148	VI73036	3	RONDELLA DENTELLATA INOX M6 DIN6798A	LOCK WASHER INOX M6
149	PG53827	mt. 0,72	CALZA VETRO SILICONE ROSSO Øi 6	SILICON GLASS SHIELD RED Øi 6
150	PG52084	1	GUARNIZIONE MICROFLON Ø29,5x49,5x2	GASKET Ø29,5x49,5x2
151	RA31634	1	TAPPO DRENAGGIO 1"1/2 F (REV.1)	BOILER DRAIN CAP 1 1/2"F
152	PG52005	mt. 0,28	TUBO SILICONE NERO 25x28	BLACK SILICON HOSE 25X28
157	SB127SXV1	1	SERBATOIO ACQUA S/B/PROF FORATO	WATER TANK
158	PP27013	1	RACCORDO GOMITO 1/2"M-1/2"F PLASTICA	PLASTIC ELBOW FITTING 1/2"M-1/2"F
159	FL12512V1	1	FILTRO ISPEZIONABILE 307 MICRONS 1/2M	INSPECTIONABLE FILTER
160	CA17013	1	STAFFA FILTRO ISPEZIONABILE S/B/PROF	BRACKET FILTER INSPECT
161	VI71216	2	VITE TC TC M4X10 INOX UNI7687 DIN7985	SCREW M4X10
162	VI7318	2	RONDELLA DENTELLATA ZN ESTERNA Ø4	LOCK WASHER Ø4
163	VI71298	2	VITE AUTOFIL. TC TC. 3,9X13 INOX 7981	SCREW 3,9X13
164	PP27003	1	PORTAGOMMA DIRITTO 1/2"F PG10 PLASTICA	BARBED FITTING 1/2" FEMALE- Ø 12X9
165	RA31058	1	RACCORDO GOMITO 6x8-1/8"M GIREVOLE 1/R	SWIVEL ELBOW FITTING 3/8" MALE - Ø12X9
166	RA3147	1	RACCORDO GOMITO 1/8"F-1/8"M	ELBOW FITTING 1/8"F-1/8"M
167	RA26021	1	PORTAGOMMA DIRITTO 1/8"M PG9	BARBED FITTING 1/8"M Ø9
168	PE2327	2	INTERRUTTORE REED GALLEGG.ORIZZONTALE	HORIZONTAL TANK FLOAT
169	PP28003	1	RACCORDO DIRITTO ANTIREFLUSSO I/R Ø8	ANTIREFLUX FITTING Ø8
170	RA33008	mt. 0,07	TUBO POLIURETANO BLU Ø6x8	BLUE POLYURETHANE HOSE Ø6X8
171	PG53831	mt. 0,05	CALZA VETRO SILICONE ROSSO Øi 9	SILICON GLASS SHIELD RED Øi 9
172	PG35503	1	GUARNIZIONE Ø35,5mm SP 3mm	GASKET
173	RA3320	1	TAPPO NERO SCARICO SERBATOIO (HI TECH)	DRAIN CAP WATER / DET. TANK
174	SB127DXV1	1	SERBATOIO DETERGENTE S/B/PROF FORATO	DETERGENT TANK
175	PP27013	1	RACCORDO GOMITO 1/2"M-1/2"F PLASTICA	PLASTIC ELBOW FITTING 1/2"M-1/2"F
176	FL12512V1	1	FILTRO ISPEZIONABILE 307 MICRONS 1/2M	INSPECTIONABLE FILTER
177	CA17013	1	STAFFA FILTRO ISPEZIONABILE S/B/PROF	BRACKET FILTER INSPECT
178	VI71216	2	VITE TC TC M4X10 INOX UNI7687 DIN7985	SCREW M4X10 INOX
179	VI7318	2	RONDELLA DENTELLATA ZN ESTERNA Ø4	LOCK WASHER Ø4
180	VI71298	2	VITE AUTOFIL. TC TC. 3,9X13 INOX 7981	SCREW 3,9X13
181	PP27003	1	PORTAGOMMA DIRITTO 1/2"F PG10 PLASTICA	BARBED FITTING 1/2" FEMALE- Ø 12X9
182	PE2327	1	INTERRUTTORE REED GALLEGG.ORIZZONTALE	HORIZONTAL TANK FLOAT
183	PG35503	1	GUARNIZIONE Ø35,5mm SP 3mm	GASKET
184	RA3320	1	TAPPO NERO SCARICO SERBATOIO (HI TECH)	DRAIN CAP WATER / DET. TANK
184A	8400014	1	TURBINA A CANALE LATERALE 0,55KW C/P.T.	TURBINE SIDE CHANNEL 0,55kW
184B	CA16204	1	STAFFA FISSAGGIO TURBINA	BRACKET TURBINE
184C	85120230	3	VITE M6X16 BUTTON HEAD INOX ISO7380	SCREW M6X16
184D	VI73036	3	RONDELLA DENTELLATA INOX M6 DIN 6798A	WASHER NOTCHED M6
184E	VI73394	3	RONDELLA PIANA INOX M6	WASHER M6
184F	VI73036	3	RONDELLA DENTELLATA INOX M6 DIN 6798A	WASHER NOTCHED M6
184G	VI76012	3	DADO M6 INOX UNI5588 ISO4032 UNI EN24032	NUT M6 INOX
184H	PG55014	mt. 0,40	GUAINA SUPERFLEX Ø51-59	SHEATH SUPERFLEX Ø51-59
184I	RA32083	4	FASCETTA METALLICA INOX 44-56	BAND METAL INOX
184L	PG55014	mt. 0,45	GUAINA SUPERFLEX Ø51-59	SHEATH SUPERFLEX Ø51-59
184M	PP84014	1	CONVOGLIATORE ARIA TURBINA	CONVEYOR AIR TURBINE

184N	VI73257	2	RONDELLA PIANA INOX M4 UNI6592 DIN125	WASHER M4
184P	VI71452	2	DADO M3 INOX A2 AUTOBLOC. UNI7473 DIN982	NUT M3 INOX
184R	VI71312	2	VITE TCBEI M3X12 ISO7380 INOX	SCREW M3x12
185	PE30142	1	CUST. DA PANNELLO C/1 LEVA MET HARTING	3 MODULES HARTING PLUG
186	PE30015	1	TELAIO INCERN. 3 MODULI X CUST. HARTING	3 MODULES HARTING CHASSIS
187	PE30035	1	FRUTTO 1 MOD. X CONTATTO F 12P HARTING	CONNECTOR FOR 12P CONTACT
188	PP00195	1	BLOCCHETTO ISOL. ALTA TEMP. X UG MASCHIO	INSULATION BLOCK FOR NOZZLE
189	VI71619	4	VITE TCB TC M4X16 INOX UNI7687 DIN7985	SCREW M4X16
190	7200124	1	ATTACCO X UGELLO MASCHIO 1/8"F M8x1F	COUPLER FOR MALE NOZZLE
191	PG51004	1	GUARNIZ. TEFLON (RP2037-13)	TEFLON GASKET
192	PG51428	1	OR 2037 9,25x1,78 FLUORAZ	O-RING 9,25x1,78 VITON FLUORAZ
193	7200134	1	UGELLO MASCHIO M8x1M ESAGONO INT. 5	MALE NOZZLE M8X1 m
194	VI7339	1	RONDELLA DI SPESSORAMENTO 10x16x0,5 INOX	WASHER 10X16X0,5
195	RA30724	1	RIDUZIONE 1/4"F x 1/8"M	REDUCTION 1/4"F x 1/8"M
196	RA32008	1	RACCORDO DIRITTO 6x10-1/4"M (OGIVA)	STRAIGHT FITTING 6x10-1/4"M (OGIVE)
197	CA19036V1	1	MANTELLO SX STEAM BOX PROF X TURBINA	LEFT PANEL - S/BOX/PROF
198	85120220	6	VITE M6X10 BUTTON HEAD INOX ISO7380	SCREW M6X10
198A	CA19034	1	SCATOLA SCARICO ARIA TURBINA COMPLETA	BOX FULL EXHAUST AIR TURBINE
198B	85120220	4	VITE TBEI M6x10 INOX	SCREW M6x10 - ST. STEEL
199	PE64P15	1	SCHEDA S/B/PROF UNITA' CONTR COMPL	CONTROL CARD POWER
200	VI71312	4	VITE TCBEI M3X12 ISO7380 INOX	SCREW M3x12
201	CA19103	1	MONTANTE MANTELLO DX S/ BOX/PROF	RIGHT SIDE COLUMN
202	85120220	3	VITE M6X10 BUTTON HEAD INOX ISO7380	SCREW M6X10
203	CA19048V1	1	MANTELLO DX STEAM BOX PROFESSIONAL	RIGHT PANEL
204	85120220	7	VITE M6X10 BUTTON HEAD INOX ISO7380	SCREW M6X10
205	CA19024	1	COFANO S.BOX IND/PROF (TURBINA) SALDATO	TOP PANEL - VACUUM
206	85120220	4	VITE M6X10 BUTTON HEAD INOX ISO7380	SCREW M6X10
207	PG51468	1	PASSATUBO ø80 DETERGENT	MOUTHPIECE FOR DETERGENT TANK
208	PG51458	1	PASSATUBO ø80 WATER	MOUTHPIECE FOR WATER TANK
209	PP00008	2	TAPPO VENTILATO SENZA VALVOLA 80 PASSO 6	CAP FOR FUNNEL
210	VI14042	4	DISTANZIALE X DISCO ASP S/B/MINI L.14 M4	THREADED SPACER M4 L.14
211	VI7121	4	VITE M4X6 TC.TC UNI7687 DIN7985 ISO7047	SCREW M4X6
212	VI7318	4	RONDELLA DENTELLATA ZN ESTERNA ø4	WASHER ø4
213	PG5044	1	DISCO SOTTOBASE ASPIRATORE	VACUUM DISC
214	VI71614	4	VITE TSP M4X12 INOX UNI 7688 DIN 965	SCREW M4X12
215	PG58104	1	BOCCHETTONE 99-60 ø60 PIANO NERO	FILLER 99-60 ø60
215A	PG58205	1	GUARNIZIONE SOTTILE	GASKET THIN
215B	FL31803	1	FILTRO ø59 AISI 304 1800	FILTER ø59
215C	PG58114	1	MANICOTTO 99 ø60-42 X 42h	SLEEVE 99 ø60-42 X 42h
215D	PG58124	1	GUARNIZIONE 99 PIANA NERA	SEAL 99 FLAT BLACK
215E	VI7060	4	VITE AUTOFIL TC TC 4,8 X 25 INOX	SCREW 4,8X25
215F	PG50615	1	TUBO ASPIRAZIONE EVAFLEX ø50 COMPLETO	HOSE COMPLETE EVAFLEX ø50
216	CA19058V1	1	COPERCHIO QUADRO ELETTRICO S.BOX PROF	COVER FOR ELECTRIC BOX
217	85120220	4	VITE M6X10 BUTTON HEAD INOX ISO7380	SCREW M6X10
218	CA34122	1	CESTELLO PORTA LANCE/ACCESSORI SALDATO	BASKET DOR LANCE/ACCESSORIES WELDED
219	CA19137	1	STAFFA AVVOLGI TUBI LINEA STEAM BOX	WINDINGS BRACKET PIPE LINE STAEM BOX
220	VI76006	5	VITE M6X12 BUTTON HEAD INOX ISO7380	SCREW M6X12
221	RA35R13	1	MOLLA SAGOMATA CLIP + RONDELLA	SHAPED SPRING CLIP
222	VI71216	1	VITE TCB TC M4x10 INO UNI7687 DIN 7985	SCREW TCB TC INO UNI7687 M4x10 DIN 7985
223	TSIN014	1	TESTATA ASPIRATORE	CYLINDER VACUUM CLEANER
224	FS6002V1	1	FUSTO H260 COMPLETO INOX	COMPLETE STEEL DRUM H260
225	VI90015	1	CHIAVE 55 INOX DA DOTAZIONE X DRENAGGIO	KEY 55 INOX