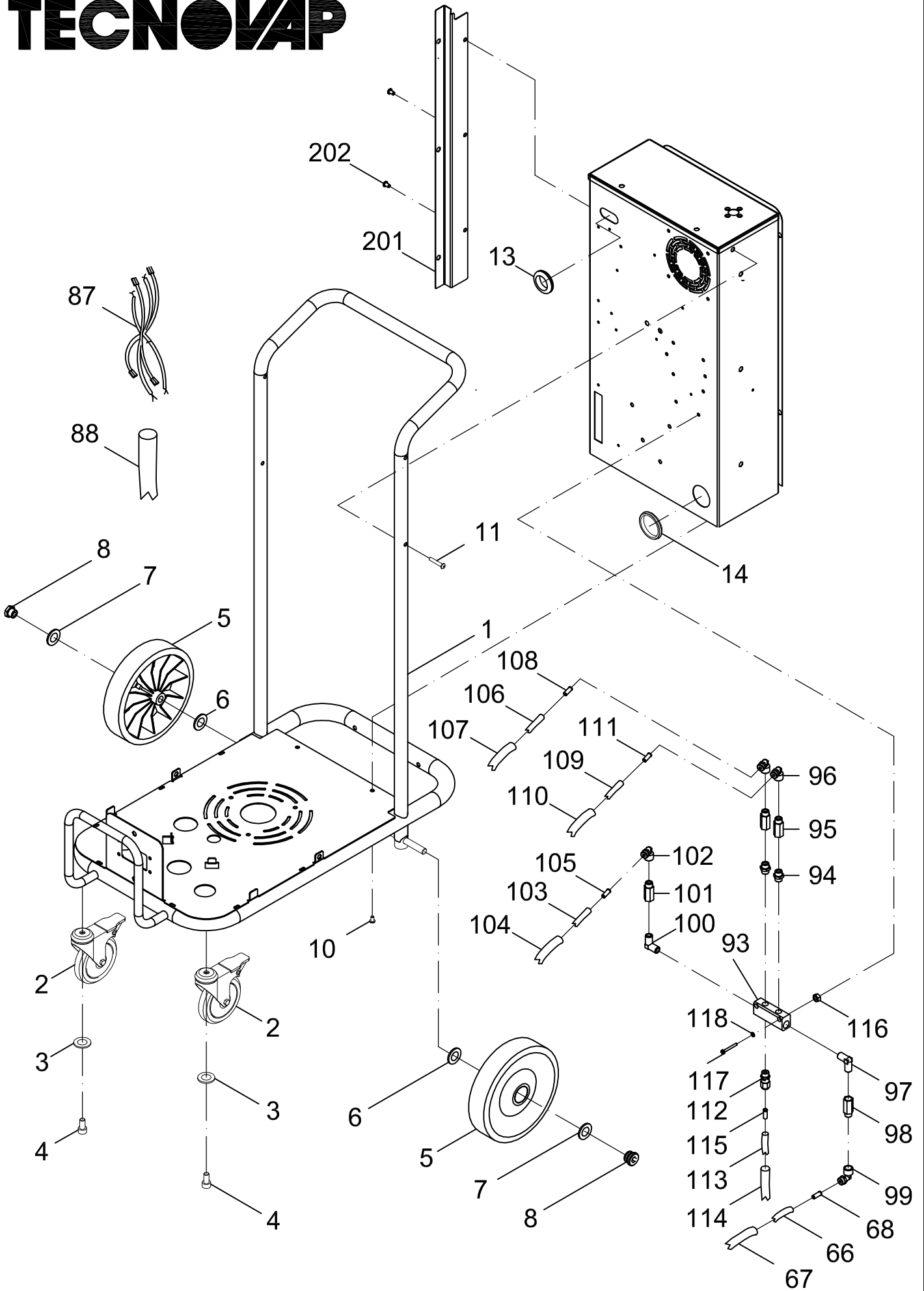
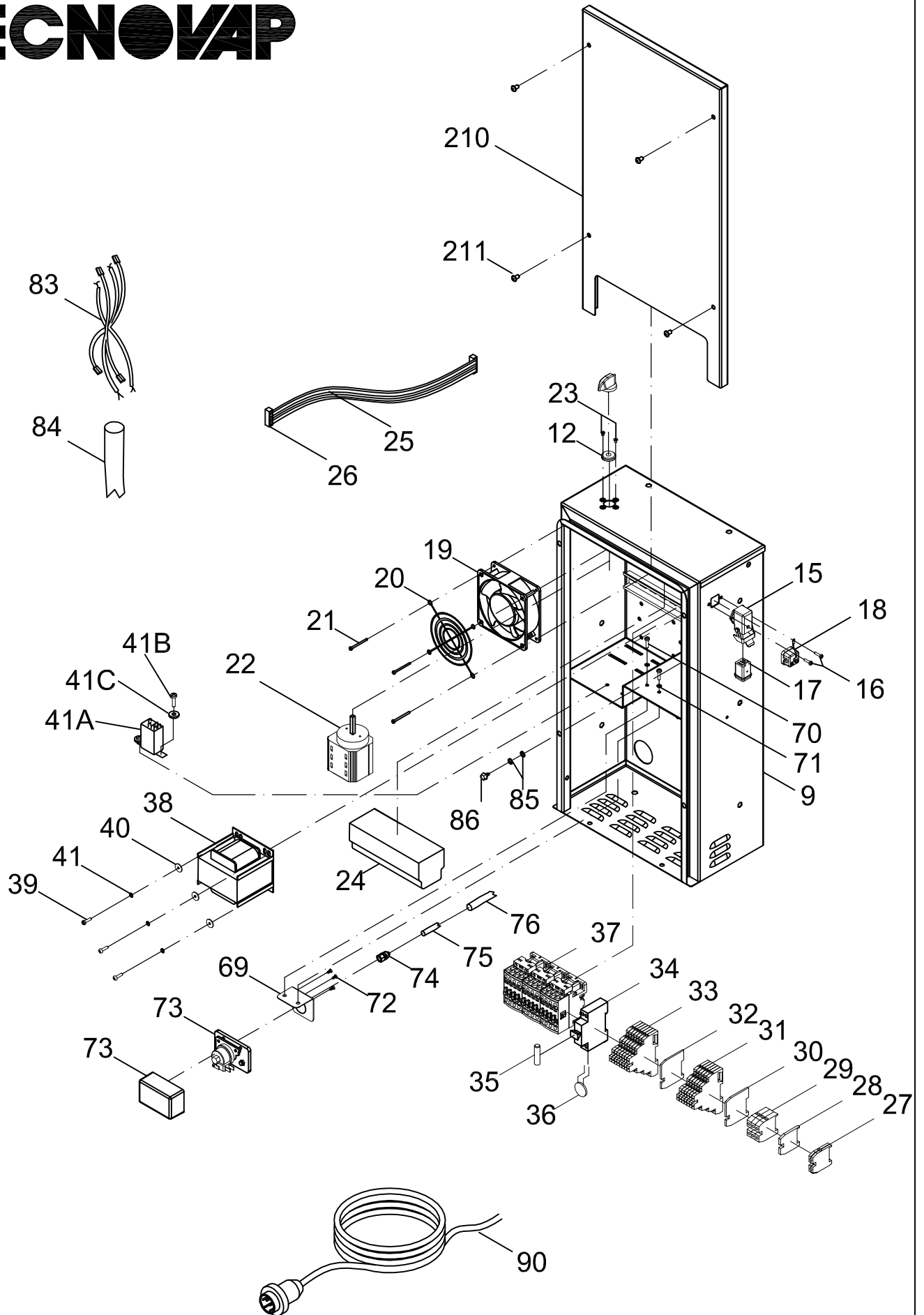
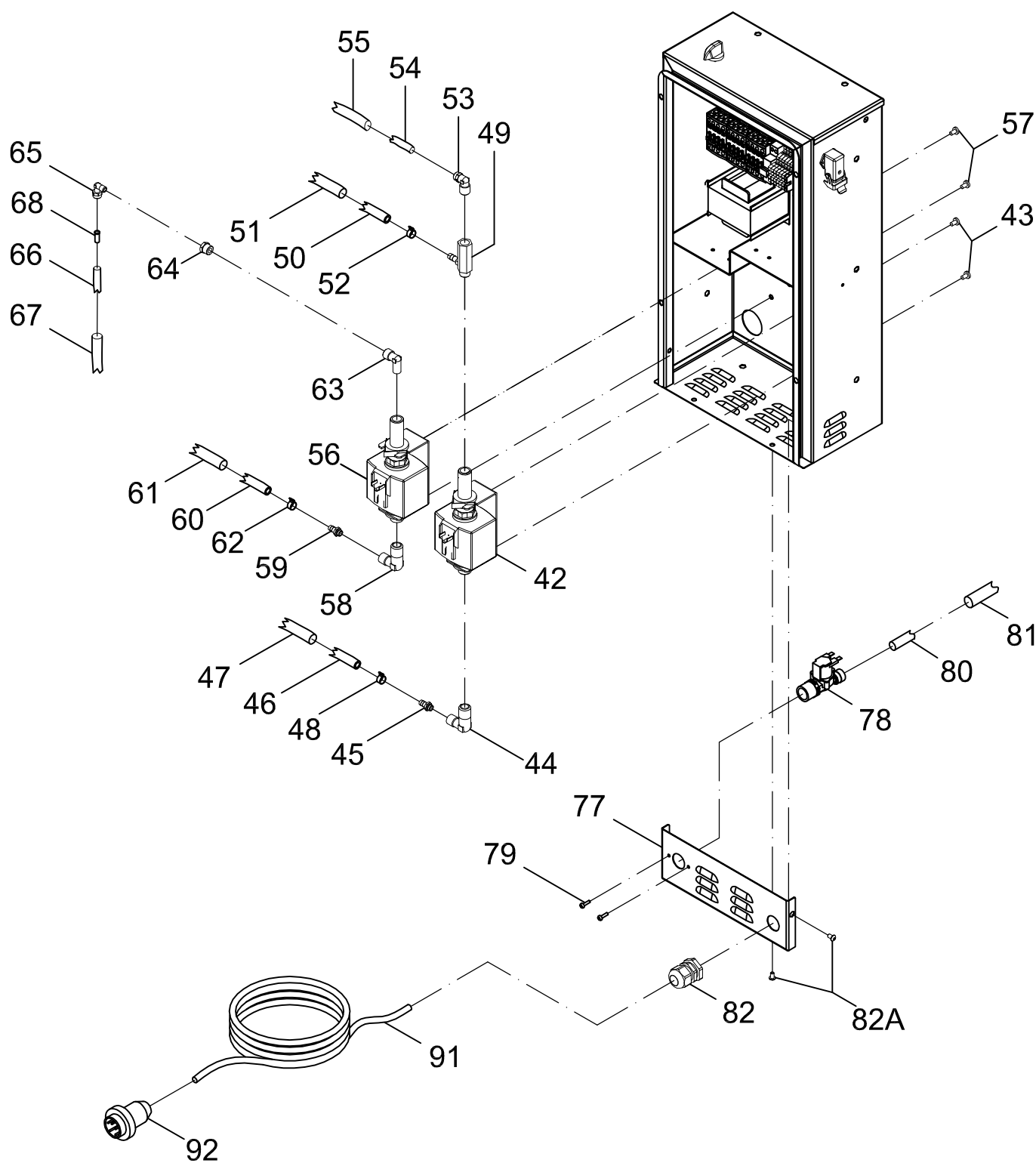
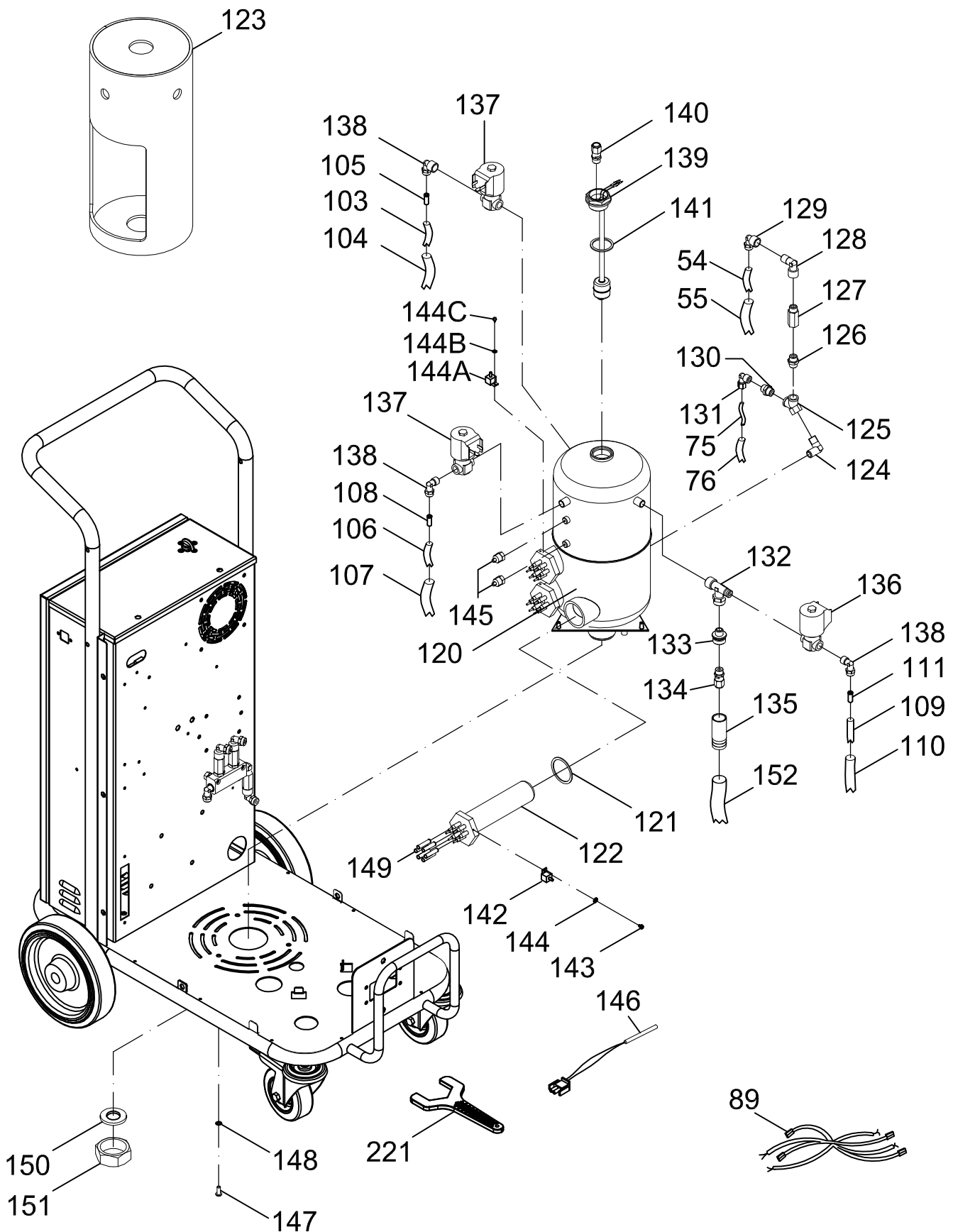


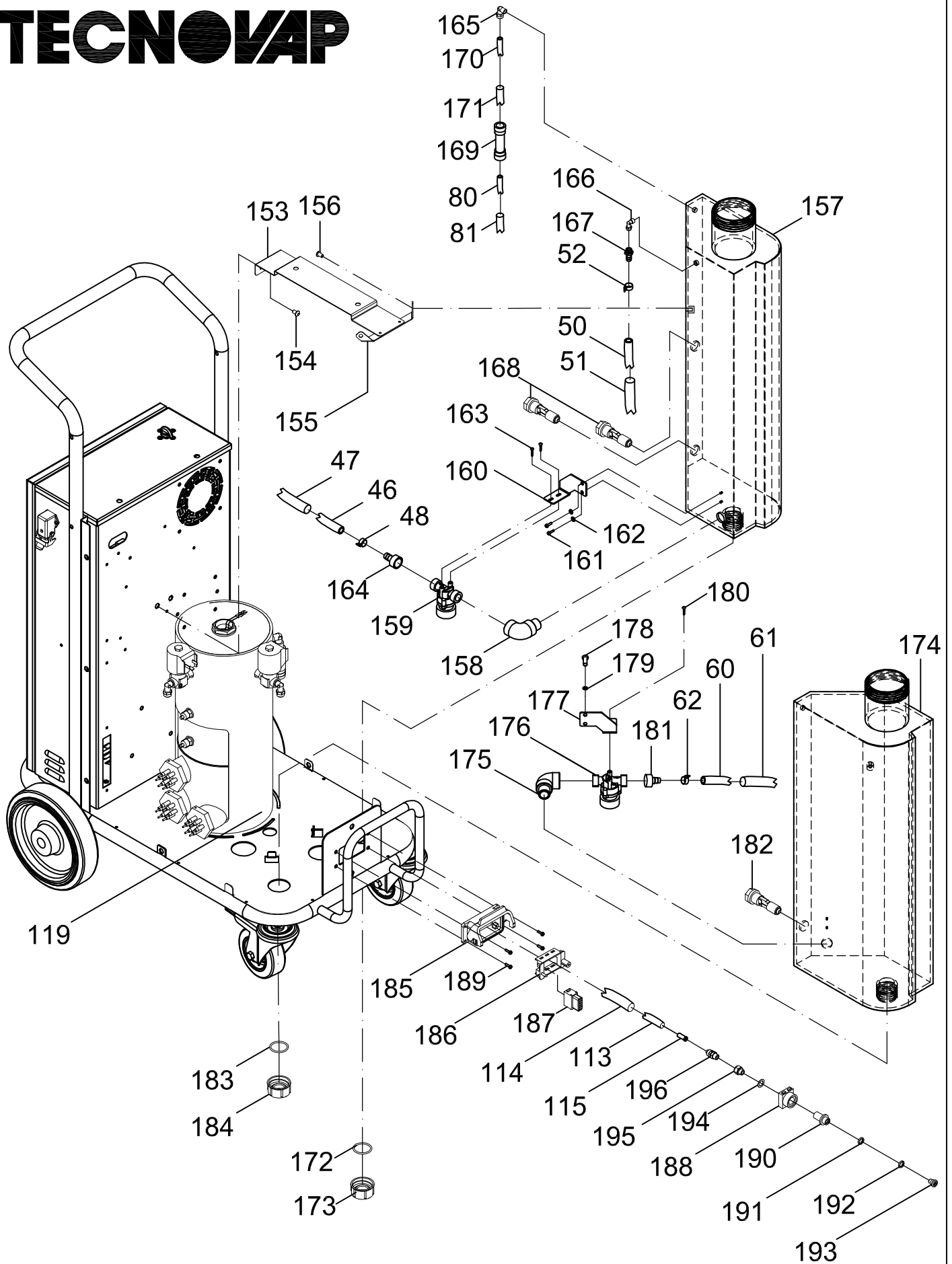
TECNOVAP



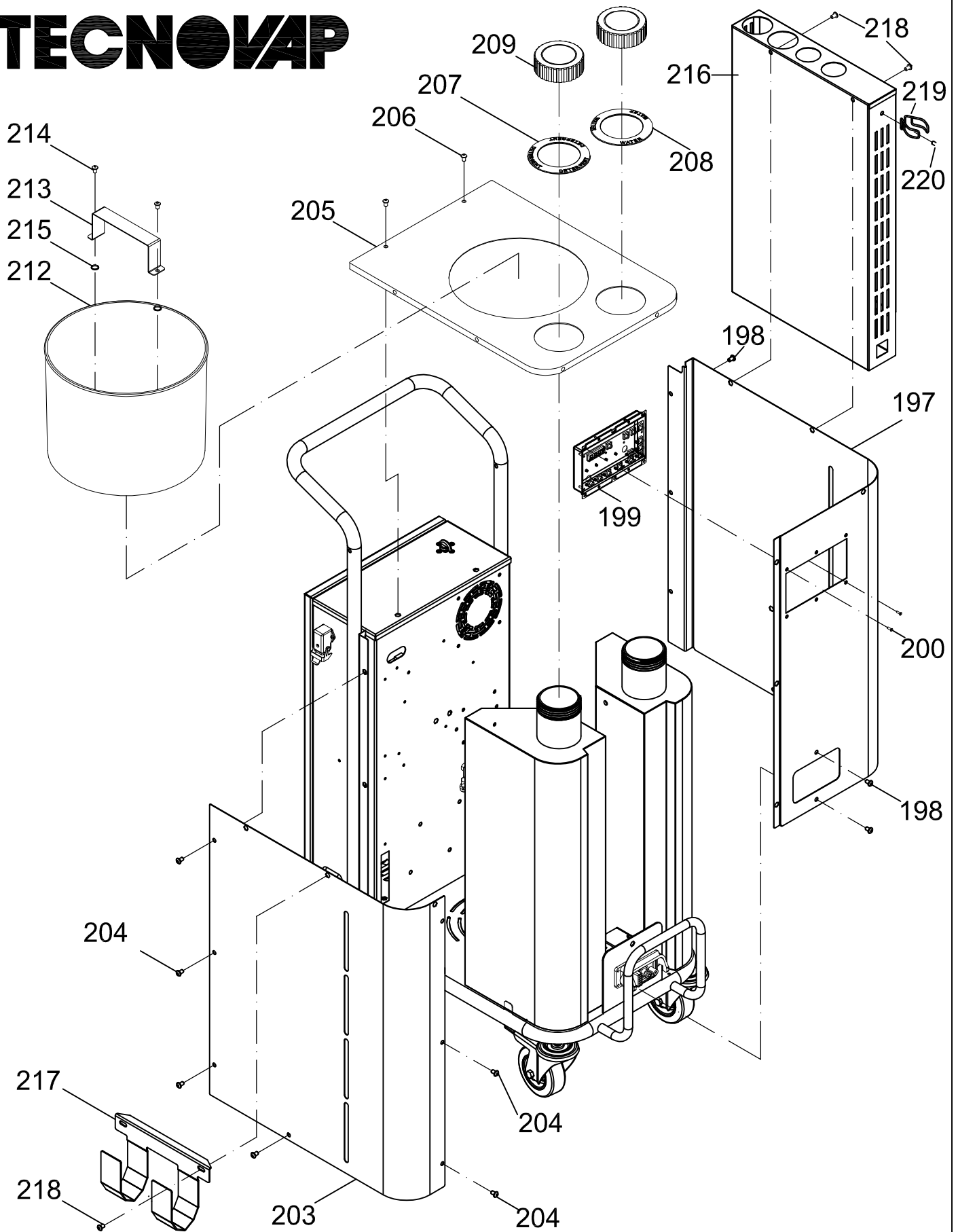








TECNOVAP



STEAM BOX PROFESSIONAL 10800W H2O cod. 4W00750V2 REV.3 20/10/14

| Pos. | CODICE | Q.tà | DENOMINAZIONE | DENOMINATION |
|------|-----------|----------|------------------------------------------|--------------------------------------|
| 1 | CR40006V2 | 1 | CARRELLO S.B. INDUSTRIAL/PROF SALDATO | COMPLETE TROLLEY FOR STEAM BOX IND. |
| 2 | PG54098 | 2 | RUOTA Ø100 GIREVOLE CON FRENO BLU | WHEEL Ø100 10MAX20 - SWIVEL W/ BRAKE |
| 3 | VI75008 | 2 | RONDELLA INOX M12 UNI6592 DIN125A | WASHER |
| 4 | VI71258 | 2 | VITE TCEI M12x30 INOX | SCREW M12X30 |
| 5 | PG54168 | 2 | RUOTA POSTERIORE Ø200 S.BOX BLU | REAR WHEEL Ø 200 |
| 6 | VI7336 | 2 | RONDELLA INOX M20 | WASHER INOX M20 |
| 7 | CR4006E | 2 | RONDELLA 16X32 PER RUOTE CARRELLO INOX | WASHER |
| 8 | RA3163 | 2 | TAPPO 3/8M | CAP |
| 9 | PE21998V1 | 1 | QUADRO ELETTRICO S.BOX PROF. | ELECTRIC BOX S/BOX PROF ST. STEEL |
| 10 | 85120220 | 2 | VITE M6X10 BUTTON HEAD INOX ISO7380 | SCREW M6X10 INOX |
| 11 | VI76005 | 2 | VITE M6X35 BUTTON HEAD INOX ISO7380 | SCREW M6X35 INOX |
| 12 | PG5308 | 1 | PASSATUBO 3,8-8,5x3-9x3x25 ELIS | MOUTHPIECE 3,8-8,5X3-9X3X25 |
| 13 | PG5339 | 1 | PASSATUBO TAPPO Ø46x38x11 GAL | MOUTHPIECE Ø46X38X11 |
| 14 | PG5145 | 1 | GUARNIZIONE TUBI PASSAGGIO | O-RING FOR ELECTRIC TUBING |
| 15 | PE21023 | 1 | CUSTODIA PANNELLO 90° METALLO | CONNECTOR COVER 90° |
| 16 | VI71473 | 2 | VITE TC TC M3X10 INOX UNI 7687 DIN7985 | SCREW TC TC M3X10 |
| 17 | PE21053 | 1 | FRUTTO PRESA 7P+T 400V 3~ | SOCKET CONNECTOR 7P+T 400V 3~ |
| 18 | PE21021 | 1 | COVER CUSTODIA PANNELLO 90° METALLO | CONNECTOR CAP |
| 19 | PE40009 | 1 | VENTOLA RAFFREDDAMENTO 120x120x38 | COOLING FAN 92X92X25 |
| 20 | PE40093 | 1 | GRIGLIA PROTEZIONE X VENTOLA 120x120 MET | PROTECTION GRILL FOR FAN 92X92 |
| 21 | VI70703 | 4 | VITE M4X50 TC TC INOX UNI7687 DIN7985 | SCREW M4X50 |
| 22 | PE22763 | 1 | INTERRUTTORE TRIPOLARE 25A 690V Ith32A | SWITCH 25A 690V Ith 32A |
| 23 | VI74004 | 2 | VITE TSP BRUG M3X10 UNI5933 DIN7991 INOX | SCREW M3x10 |
| 24 | PE64C32 | 1 | SCHEDA S/B/MINI UNITA' POTENZA COMPL | ELECTRONIC BOARD |
| 25 | PE20331 | mt. 1,05 | FLAT CABLE 20P | FLAT CABLE 20P |
| 26 | PE20321 | 2 | CONETTORE FEMMINA FLAT CABLE 20 POLI | FEMALE CONNECTOR |
| 27 | PE20025 | 1 | MORSETTO DI TERRA 10mmq M10/10.P | CONNECTOR FOR EARTHING 10mmq M10/10 |
| 28 | PE20035 | 1 | PIASTRINA TERMINALE X MORSETTO M10/10 | TERMINAL PLATE FOR CONNECTOR M10/10 |
| 29 | PE20015 | 3 | MORSETTO X S/BOX PROF/IND 10mmq M10/10 | CONNECTOR 10mmq |
| 30 | PE20045 | 1 | SEPARATORE DI CIRCUITO X MORSETTO M10/10 | SEPARATOR FOR CONNECTOR |
| 31 | PE20005 | 6 | MORSETTO X S/BOX PROF/IND 4mmq D4/6.T3.P | CONNECTOR 10mmq |
| 32 | PE20045 | 1 | SEPARATORE DI CIRCUITO X MORSETTO M10/10 | SEPARATOR FOR CONNECTOR |
| 33 | PE20005 | 7 | MORSETTO X S/BOX PROF/IND 4mmq D4/6.T3.P | CONNECTOR 4mmq |
| 34 | PE2068 | 1 | PORTAFUSIBILE SEZ.1P+N 20A | FUSE HOLDER 1P+N 20A |
| 35 | PE20676 | 1 | FUSIBILE 2A 400V 10,3X38 | FUSE 2A 400V 10,3X38 |
| 36 | PE27503 | 1 | VARISTORE S20K300 | VARISTOR |
| 37 | PE2351 | 3 | CONTATTORE POTENZA 230/50-60Hz 25A | CONTACTOR 230/50-60Hz 25A |
| 38 | PE20517 | 1 | AUTO. 400VA 400/230V+TRASFO.10VA 400/12V | SELFTRANSFORMER |
| 39 | VI71615 | 4 | VITE TC M4X12 ZN UNI 7687 DIN 7985 | SCREW M4X12 |
| 40 | VI7314 | 4 | RONDELLA GREMBIULINA ZN 4x12 | WASHER 4X12 |
| 41 | VI7318 | 4 | RONDELLA DENTELLATA ZN ESTERNA Ø4 | LOCK WASHER Ø4 |
| 41A | PE2022 | 1 | RELE DEVIATORE 12A 230V | RELAY |
| 41B | VI71473 | 2 | VITE TC TC M3X10 INOX UNI 7687 DIN7985 | SCREW TC TC M3X10 |
| 41C | VI73197 | 2 | RONDELLA DENTELLATA INOX M3 | LOCK WASHER M3 |
| 42 | PE2046 | 1 | POMPA ET3000 3/8" FF | PUMP ET3000 3/8" FF |
| 43 | VI7188 | 2 | VITE TCB T.CROCE ZN M6X10 | SCREW M6X10 |
| 44 | RA30442 | 1 | RACCORDO GOMITO 3/8"M-1/8"F | ELBOW FITTING 3/8"M-1/8"F |
| 45 | RA26021 | 1 | PORTAGOMMA DIRITTO 1/8"M PG9 | BARBED FITTING 1/8"M Ø9 |
| 46 | RA33611 | mt.0,67 | TUBO TRASPARENTE RETINATO 14x8 | TRASPARENT BRAIDED TUBE 14X8 |
| 47 | PG53864 | mt.0,57 | CALZA VETRO SILICONE ROSSO Øi 16 | SILICON GLASS SHIELD RED Øi 16 |
| 48 | PG5200 | 2 | FASCETTA CLIC 14-16/6 (135-VERDE) | CLAMP CLIC 14-16/6 (135-GREEN) |
| 49 | PE2425 | 1 | DEAREATORE PER ET3000 STEAM TECH | BLEEDER VALVE FOR PUMP |
| 50 | RA33611 | mt.1,17 | TUBO TRASPARENTE RETINATO 14x8 | TRASPARENT BRAIDED TUBE 14X8 |
| 51 | PG53864 | mt.1,07 | CALZA VETRO SILICONE ROSSO Øi 16 | SILICON GLASS SHIELD RED Øi 16 |
| 52 | PG5200 | 2 | FASCETTA CLIC 14-16/6 (135-VERDE) | CLAMP CLIC 14-16/6 (135-GREEN) |
| 53 | RA31815 | 1 | RACCORDO A GOMITO 6X8-3/8"M | ELBOW FITTING 6X8-3/8"M |
| 54 | RA3201 | mt.0,65 | TUBO TEFLON Ø6X8 | HOSE TEFLON Ø6X8 |
| 55 | PG53831 | mt.0,6 | CALZA VETRO SILICONE ROSSO Øi 8 | SILICON GLASS SHIELD RED Øi 8 |
| 56 | PE2046 | 1 | POMPA ET3000 3/8" FF | PUMP ET3000 3/8" FF |
| 57 | VI7188 | 2 | VITE TCB T.CROCE ZN M6X10 | SCREW M6X10 |
| 58 | RA30442 | 1 | RACCORDO GOMITO 3/8"M-1/8"F | ELBOW FITTING 3/8"M-1/8"F |
| 59 | RA26021 | 1 | PORTAGOMMA DIRITTO 1/8"M PG9 | BARBED FITTING 1/8"M Ø9 |
| 60 | RA33611 | mt.0,69 | TUBO TRASPARENTE RETINATO 14x8 | TRASPARENT BRAIDED TUBE 14X8 |
| 61 | PG53864 | mt.0,59 | CALZA VETRO SILICONE ROSSO Øi 16 | SILICON GLASS SHIELD RED Øi 16 |
| 62 | PG5200 | 2 | FASCETTA CLIC 14-16/6 (135-VERDE) | CLAMP CLIC 14-16/6 (135-GREEN) |
| 63 | RA31607 | 1 | RACCORDO GOMITO 3/8"M CIL.-3/8"F CIL. | ELBOW FITTING 3/8"M-3/8"F |
| 64 | RA32007 | 1 | RIDUZIONE 3/8"M-1/4"F | REDUCTION 3/8"M-1/4"F |

| | | | | |
|-----|-----------|---------|------------------------------------------|-------------------------------------------|
| 65 | RA32018 | 1 | RACCORDO GOMITO 6x10-1/4"M (OGIVA) | ELBOW FITTING 6X10-1/4"M |
| 66 | RA33107 | mt.0,56 | TUBO TEFLON Ø6X10 | HOSE TEFLON Ø6X10 |
| 67 | PG53807 | mt.0,49 | CALZA VETRO SILICONE ROSSO Øi 10 | SILICON GLASS SHIELD RED Øi 10 |
| 68 | VI42013 | 2 | BOCCOLA DI SUPPORTO Ø6.2 | BUSH SUPPORT Ø6,2 |
| 69 | RA30303 | 1 | STAFFA PRESSOSTATO STEAM BOX PROF | SUPPORT PRESSURE SWITCH |
| 70 | VI7157 | 2 | VITE 4.8 METALLO ZN TC M4X16 | SCREW M4X16 |
| 71 | VI7318 | 2 | RONDELLA DENTELLATA ZN ESTERNA Ø4 | LOCK WASHER Ø4 |
| 72 | VI7103 | 3 | VITE KF NIC3,5X6,5-6X1/4 DIN7981 UNI6954 | SCREW 3,5X6,5 |
| 73 | PE24123 | 1 | PRESSOSTATO 16A 9-15bar BOX IP54 1/8"M | PRESSURE SWITCH 16A 9-15 bar BOX IP54 |
| 74 | RA31863 | 1 | RACCORDO DIRITTO 1/8"F-4X2 OGIVA | STRAIGHT FITTING 1/8"F 4X2 OGIVE |
| 75 | RA3210 | mt.0,65 | TUBO TEFLON Ø4X2 | TEFLON HOSE Ø4X2 |
| 76 | PG5338 | mt.0,60 | TUBO GOMMA EPDM NERO Ø7x10 | EPDM HOSE Ø 7X10 |
| 77 | CA16200V1 | 1 | STAFFA INGR. ALIMENT.S/B.IND/PROF xISO25 | SUPPORT MOUNT FOR POWER CORD |
| 78 | PE23370 | 1 | ELETTROVALVOLA IN 3/4 M OUT J/G 8 | SOLENOID VALVE 3 / 4 OUT J M / G 8 |
| 79 | VI71216 | 2 | VITE TC TC M4X10 INOX UNI7687 DIN7985 | SCREW M4X10 |
| 80 | RA33008 | mt.0,95 | TUBO POLIURETANO BLU Ø6x8 | BLUE POLYURETHANE HOSE Ø12X9 |
| 81 | PG53831 | mt.0,85 | CALZA VETRO SILICONE ROSSO Øi 8 | SILICON GLASS SHIELD RED Øi 8 |
| 82 | PR00014 | 1 | PRESSACAVO OTT/NIC M32x1,5 SER.21mm | CABLEPRESS M32 |
| 82A | 85120220 | 4 | VITE M6X10 BUTTON HEAD INOX ISO7380 | SCREW M6X10 |
| 83 | PE20328V1 | 1 | CABLAGGIO X1 STEAM BOX PROF 400V 14400W | STEAM POWER WIRING - ELECTRIC BOX SIDE |
| 84 | PG53843 | mt.0,35 | CALZA VETRO SILICONE ROSSO Øi 14 | SILICON GLASS SHIELD RED Øi 14 |
| 85 | VI7303 | 2 | RONDELLA DENTELLATA ZN M6 | LOCK WASHER M6 |
| 86 | VI7167 | 1 | VITE F/R TE ZN.6,3X13-14X1/2 UNI 6950 | SCREW 6,3X13 |
| 87 | PE20338V2 | 1 | CABLAGGIO X2 STEAM BOX PROF 400V 14400W | STEAM POWER WIRING - MACHINE SIDE |
| 88 | PG53843 | mt.1,11 | CALZA VETRO SILICONE ROSSO Øi 14 | SILICON GLASS SHIELD RED Øi 14 |
| 89 | PE20363 | 1 | CAVI RESISTENZE S/B/PROF 10,8KW FISSA | CABLE RESISTANCE 10,8 KW |
| 90 | PE20948V1 | 1 | CAVO ALIMENTAZIONE S/B/PROF 4G2,5(3P+T) | POWER CABLE 4G2,5 (3P+T) |
| 91 | PE21083 | mt.8,67 | CAVO ALIMENTAZIONE H07RN-F 4G2,5 | POWER CABLE H07RN-F 4G2,5 |
| 92 | PE1999 | 1 | SPINA 3P+T 400V 16A | PLUG 3P+T 400V 16A |
| 93 | RA20008 | 1 | COLLETTORE 76x40x20 2x1/4F 1/4F PASSANTI | COLLECTOR 76x40x20 2x1/4"F 1/4"F PASSANTI |
| 94 | RA31875 | 2 | RACCORDO DIRITTO 1/4"M-1/4"M | STRAIGHT FITTING 1/4"M-1/4"M |
| 95 | RA34094 | 2 | VALVOLA N/RITORNO MF MOLLA DEBOLE 1/4 | NON RETURN VALVE - WEAK SPRING |
| 96 | RA32028 | 2 | RACCORDO GOMITO 6x10-1/4"F (OGIVA) | ELBOW FITTING 6X10-1/4"F (OGIVE) |
| 97 | RA31474 | 1 | RACCORDO GOMITO 1/4"M-1/4"M | ELBOW FITTING 1/4"M-1/4"M |
| 98 | RA34084 | 1 | VALVOLA N/RITORNO MF MOLLA DURA 1/4 | NON RETURN VALVE - HARD SPRING |
| 99 | RA32028 | 1 | RACCORDO GOMITO 6x10-1/4"F (OGIVA) | ELBOW FITTING 6X10 1/4"F (OGIVA) |
| 100 | RA31474 | 1 | RACCORDO GOMITO 1/4"M-1/4"M | ELBOW FITTING 1/4"M-1/4"M |
| 101 | RA34094 | 1 | VALVOLA N/RITORNO MF MOLLA DEBOLE 1/4 | NON RETURN VALVE- WEAK SPRING |
| 102 | RA32028 | 1 | RACCORDO GOMITO 6x10-1/4"F (OGIVA) | ELBOW FITTING 6X10- 1/4"F (OGIVE) |
| 103 | RA33107 | mt.0,65 | TUBO TEFLON Ø6X10 | HOSE TEFLON Ø6X10 |
| 104 | PG53807 | mt.0,60 | CALZA VETRO SILICONE ROSSO Øi 10 | SILICON GLASS SHIELD RED Øi 10 |
| 105 | VI42013 | 2 | BOCCOLA DI SUPPORTO Ø6.2 | BRASS BUSH SUPPORT Ø6.2 |
| 106 | RA33107 | mt.0,60 | TUBO TEFLON Ø6X10 | HOSE TEFLON Ø6X10 |
| 107 | PG53807 | mt.0,55 | CALZA VETRO SILICONE ROSSO Øi 10 | SILICON GLASS SHIELD RED Øi 10 |
| 108 | VI42013 | 2 | BOCCOLA DI SUPPORTO Ø6.2 | BRASS BUSH SUPPORT Ø6.2 |
| 109 | RA33107 | mt.0,41 | TUBO TEFLON Ø6X10 | HOSE TEFLON Ø6X10 |
| 110 | PG53807 | mt.0,36 | CALZA VETRO SILICONE ROSSO Øi 10 | SILICON GLASS SHIELD RED Øi 10 |
| 111 | VI42013 | 2 | BOCCOLA DI SUPPORTO Ø6.2 | BRASS BUSH SUPPORT Ø6.2 |
| 112 | RA32008 | 1 | RACCORDO DIRITTO 6x10-1/4"M (OGIVA) | STRAIGHT FITTING 6x10-1/4"M (OGIVE) |
| 113 | RA33107 | mt.0,60 | TUBO TEFLON Ø6X10 | HOSE TEFLON Ø6X10 |
| 114 | PG53807 | mt.0,55 | CALZA VETRO SILICONE ROSSO Øi 10 | SILICON GLASS SHIELD RED Øi 10 |
| 115 | VI42013 | 2 | BOCCOLA DI SUPPORTO Ø6.2 | BRASS BUSH SUPPORT Ø6.2 |
| 116 | VI72023 | 2 | DADO M8 INOX UNI5588 ISO4032 | NUT M8 |
| 117 | VI71695 | 2 | VITE M4X35 TC TC ZN UNI7687 DIN7985 | SCREW M4X35 TC TC |
| 118 | VI7318 | 2 | RONDELLA DENTELLATA ZN ESTERNA Ø4 | LOCK WASHER Ø4 |
| 119 | 09W5048V1 | 1 | CALDAIA COMPL. STEAM BOX PROF 10800W H2O | BOILER STEAM BOX |
| 120 | 9905048V1 | 1 | CALDAIA 7L S.B.PROF C/RES. 10800W 230V | BOILER W/ HEATING ELEMENT 10800W |
| 121 | PG51396 | 3 | GUARNIZIONE RAME Ø42x50x1.5 | COPPER GASKET Ø 42X50X1,5 |
| 122 | PE25226 | 3 | RESISTENZA 230V 3600W 1" ¼ | HEATING ELEMENT 230V 3600W |
| 123 | IS40204 | 1 | ISOLANTE CALDAIA S/BOX PROF. | BOILER INSULATION |
| 124 | RA31473 | 1 | CURVA 90° 1/4"M-1/4"M ANTICALCARE | SCALE CURVE 1/4"M-1/4"M |
| 125 | RA31014 | 1 | RACCORDO A Y 1/4"F-1/4"F-1/4"F | Y JOINT 1/4"G fx1/4"G fx1/4"G f |
| 126 | RA31875 | 1 | RACCORDO DIRITTO 1/4"M-1/4"M | STRAIGHT FITTING 1/4"M-1/4"M |
| 127 | RA34084 | 1 | VALVOLA N/RITORNO MF MOLLA DURA 1/4 | NON RETURN VALVE - HARD SPRING |
| 128 | RA31044 | 1 | RACCORDO GOMITO 1/4"M-1/4"F | ELBOW FITTING 1/4"M-1/4"F |
| 129 | RA31675 | 1 | RACCORDO GOMITO 6x8-1/4"F | ELBOW FITTING 6X8-1/4"F |
| 130 | RA30704 | 1 | RIDUZIONE 1/4"M x 1/8"F | REDUCTION 1/4"M-1/8"F |
| 131 | RA3155 | 1 | RACCORDO GOMITO 1/8"M-4X2 (OGIVA) | ELBOW FITTING 1/8"M-4X2(OGIVE) |
| 132 | RA31037 | 1 | RACCORDO A T 1/4"F-1/4"F-1/4"M | 3-WAYS FITTING 1/4"F-1/4"F-1/4"M |
| 133 | RA31874 | 1 | RACCORDO DIRITTO 1/4"M-1/4"F x M22 | STRAIGHT FITTING 1/4"M-1/4"F x M22 |

| | | | | |
|------|-----------|---------|------------------------------------------|-----------------------------------------------|
| 134 | RA34164 | 1 | VALVOLA SIC. 97/23CE 12bar 1/4"M KALREZ | SAFETY VALVE 97/23CE > 50 12 bar 1/4"M KALREZ |
| 135 | RA30194 | 1 | PORTAGOMMA M22 x 1,5 x Ø25 L60 | TUBE COUPLER M22X1,5XØ25 L.60 |
| 136 | PE23024 | 1 | ELETT.SERIE99 PTFE DN 2,8 20VA 1/4Fx1/4F | SOLENOID VALVE 99 PTFE DN 2,8 |
| 137 | PE23014 | 2 | ELETT.SERIE99 PTFE DN 1,5 1/4Fx1/4F | SOLENOID VALVE 99 PTFE DN 1,5 |
| 138 | RA32018 | 3 | RACCORDO GOMITO 6x10-1/4"M (OGIVA) | ELBOW FITTING 6X10-1/4"M (OGIVE) |
| 139 | RA33274 | 1 | TAPPO OTTONE C/SONDA C.L.mm190+SIC.15bar | BRASS CAP LVL CONT. FLOAT L.190 |
| 140 | RA34067 | 1 | VALV SIC 97/23CE > 50 15bar 1/4"M KALREZ | SAFETY VALVE 97/23CE > 50 15 bar 1/4"M |
| 141 | PG51033 | 1 | GUARNIZIONE TEFLON Ø33,2x40x2 | TEFLON GASKET Ø33,2X40X2 |
| 142 | PE2344 | 3 | TERMOSTATO 275°C RIPRISTINO | THERMOSTAT 275°C |
| 143 | VI7130 | 3 | VITE AUT. NIC. TC TC 3,5X9,5 | SCREW 3,5X9,5 |
| 144 | VI7318 | 3 | RONDELLA DENTELLATA ZN ESTERNA Ø4 | LOCK WASHER Ø4 |
| 144A | PE23447 | 1 | TERMOSTATO 235°C R.A. 16A | THERMOSTAT 235°C |
| 144B | VI7130 | 1 | VITE AUT. NIC. TC TC 3,5X9,5 | SCREW 3,5X9,5 |
| 144C | VI7318 | 1 | RONDELLA DENTELLATA ZN ESTERNA Ø4 | LOCK WASHER Ø4 |
| 145 | PE2334 | 2 | TERMOSTATO 175°C RIPRISTINO | THERMOSTAT 175°C |
| 146 | PE20532 | 1 | TERMORESISTENZA PT1000 L.200 COMPL | PROBE PT1000 L.200 |
| 147 | 85120230 | 3 | VITE M6X16 BUTTON HEAD INOX ISO7380 | SCREW M6X16 INOX |
| 148 | VI73036 | 3 | RONDELLA DENTELLATA INOX M6 DIN6798A | LOCK WASHER INOX M6 |
| 149 | PG53827 | mt.0,72 | CALZA VETRO SILICONE ROSSO Øi 6 | SILICON GLASS SHIELD RED Øi 6 |
| 150 | PG52084 | 1 | GUARNIZIONE MICROFLON Ø29,5x49,5x2 | GASKET Ø29,5x49,5x2 |
| 151 | RA31634 | 1 | TAPPO DRENAGGIO 1"1/2 F (REV.1) | BOILER DRAIN CAP 1 1/2"F |
| 152 | PG52005 | mt.0,28 | TUBO SILICONE NERO 25x28 | BLACK SILICON HOSE 25X28 |
| 153 | CA16298 | 1 | STAFFA FISSAGGIO FUSTO PROF | FIXING MOUNT FOR VACUUM DRUM |
| 154 | 85120220 | 2 | VITE M6X10 BUTTON HEAD INOX ISO7380 | SCREW M6X10 |
| 155 | CA16296 | 1 | STAFFA FISSAGGIO SERBATOI | FIXING MOUNT FOR TANKS |
| 156 | 85120220 | 2 | VITE M6X10 BUTTON HEAD INOX ISO7380 | SCREW M6X10 |
| 157 | SB127SXV1 | 1 | SERBATOIO ACQUA S/B/PROF FORATO | WATER TANK |
| 158 | PP27013 | 1 | RACCORDO GOMITO 1/2"M-1/2"F PLASTICA | PLASTIC ELBOW FITTING 1/2"M-1/2"F |
| 159 | FL12512 | 1 | FILTRO ISPEZIONABILE 125 MICRONS 1/2M | INSPECTIONABLE FILTER |
| 160 | CA17013 | 1 | STAFFA FILTRO ISPEZIONABILE S/B/PROF | BRACKET FILTER INSPECT |
| 161 | VI71216 | 2 | VITE TC TC M4X10 INOX UNI7687 DIN7985 | SCREW M4X10 |
| 162 | VI7318 | 2 | RONDELLA DENTELLATA ZN ESTERNA Ø4 | LOCK WASHER Ø4 |
| 163 | VI7137 | 2 | VITE AUTOFIL. Ni TC TC. 3,5X13 | SCREW 3,5X13 |
| 164 | PP27003 | 1 | PORTAGOMMA DIRITTO 1/2"F PG10 PLASTICA | BARBED FITTING 1/2" FEMALE- Ø 12X9 |
| 165 | RA31058 | 1 | RACCORDO GOMITO 6x8-1/8"M GIREVOLE I/R | SWIVEL ELBOW FITTING 3/8" MALE - Ø12X9 |
| 166 | RA3147 | 1 | RACCORDO GOMITO 1/8"F-1/8"M | ELBOW FITTING 1/8"F-1/8"M |
| 167 | RA26021 | 1 | PORTAGOMMA DIRITTO 1/8"M PG9 | BARBED FITTING 1/8"M Ø9 |
| 168 | PE2327 | 2 | INTERRUTTORE REED GALLEGG.ORIZZONTALE | HORIZONTAL TANK FLOAT |
| 169 | PP28003 | 1 | RACCORDO DIRITTO ANTIREFLUSSO I/R Ø8 | ANTIREFLUX FITTING Ø8 |
| 170 | RA33008 | mt.0,07 | TUBO POLIURETANO BLU Ø6x8 | BLUE POLYURETHANE HOSE Ø12X9 |
| 171 | PG53831 | mt.0,05 | CALZA VETRO SILICONE ROSSO Øi 8 | SILICON GLASS SHIELD RED Øi 8 |
| 172 | PG5123 | 1 | OR 29,82x2,62 SILICONE ROSSO | SILICON O-RING 29,82X2,62 |
| 173 | RA3320 | 1 | TAPPO NERO SCARICO SERBATOIO (HI TECH) | DRAIN CAP WATER / DET. TANK |
| 174 | SB127DXV1 | 1 | SERBATOIO DETERGENTE S/B/PROF FORATO | DETERGENT TANK |
| 175 | PP27013 | 1 | RACCORDO GOMITO 1/2"M-1/2"F PLASTICA | PLASTIC ELBOW FITTING 1/2"M-1/2"F |
| 176 | FL12512 | 1 | FILTRO ISPEZIONABILE 125 MICRONS 1/2M | INSPECTIONABLE FILTER |
| 177 | CA17013 | 1 | STAFFA FILTRO ISPEZIONABILE S/B/PROF | BRACKET FILTER INSPECT |
| 178 | VI71216 | 2 | VITE TC TC M4X10 INOX UNI7687 DIN7985 | SCREW M4X10 INOX |
| 179 | VI7318 | 2 | RONDELLA DENTELLATA ZN ESTERNA Ø4 | LOCK WASHER Ø4 |
| 180 | VI7137 | 2 | VITE AUTOFIL. Ni TC TC. 3,5X13 | SCREW 3,5X13 |
| 181 | PP27003 | 1 | PORTAGOMMA DIRITTO 1/2"F PG10 PLASTICA | BARBED FITTING 1/2" FEMALE- Ø 12X9 |
| 182 | PE2327 | 1 | INTERRUTTORE REED GALLEGG.ORIZZONTALE | HORIZONTAL TANK FLOAT |
| 183 | PG5123 | 1 | OR 29,82x2,62 SILICONE ROSSO | SILICON O-RING 29,82X2,62 |
| 184 | RA3320 | 1 | TAPPO NERO SCARICO SERBATOIO (HI TECH) | DRAIN CAP WATER / DET. TANK |
| 185 | PE30142 | 1 | CUST. DA PANNELLO C/1 LEVA MET HARTING | 3 MODULES HARTING PLUG |
| 186 | PE30015 | 1 | TELAIO INCERN. 3 MODULI X CUST. HARTING | 3 MODULES HARTING CHASSIS |
| 187 | PE30035 | 1 | FRUTTO 1 MOD. X CONTATTO F 12P HARTING | CONNECTOR FOR 12P CONTACT |
| 188 | PP00195 | 1 | BLOCCHETTO ISOL. ALTA TEMP. X UG MASCHIO | INSULATION BLOCK FOR NOZZLE |
| 189 | VI71619 | 4 | VITE TCB TC M4X16 INOX UNI7687 DIN7985 | SCREW M4X16 |
| 190 | 7200124 | 1 | ATTACCO X UGELLO MASCHIO 1/8"F M8x1F | COUPLER FOR MALE NOZZLE |
| 191 | PG51004 | 1 | GUARNIZ. TEFLON (RP2037-13) | TEFLON GASKET |
| 192 | PG51428 | 1 | OR 2037 9,25x1,78 FLUORAZ | O-RING 9,25x1,78 VITON FLUORAZ |
| 193 | 7200134 | 1 | UGELLO MASCHIO M8x1M ESAGONO INT. 5 | MALE NOZZLE M8X1 m |
| 194 | VI7339 | 1 | RONDELLA DI SPESSORAMENTO 10x16x0,5 INOX | WASHER 10X16X0,5 |
| 195 | RA30724 | 1 | RIDUZIONE 1/4"F x 1/8"M | REDUCTION 1/4"F x 1/8"M |
| 196 | RA32008 | 1 | RACCORDO DIRITTO 6x10-1/4"M (OGIVA) | STRAIGHT FITTING 6x10-1/4"M (OGIVE) |
| 197 | CA19038V1 | 1 | MANTELLO SX STEAM BOX PROFESSIONAL | LEFT PANEL - S/BOX/PROF |
| 198 | 85120220 | 6 | VITE M6X10 BUTTON HEAD INOX ISO7380 | SCREW M6X10 |
| 199 | PE64C13 | 1 | SCHEDA S/B/PROF UNITA' CONTR COMPL | CONTROL CARD POWER |
| 200 | VI74004 | 6 | VITE TSP BRUG M3X10 UNI5933 DIN7991 INOX | SCREW M3X10 |

| | | | | |
|-----|-----------|---|------------------------------------------|-----------------------------------------|
| 201 | CA19103 | 1 | MONTANTE MANTELLO DX S/ BOX/PROF | RIGHT SIDE COLUMN |
| 202 | 85120220 | 3 | VITE M6X10 BUTTON HEAD INOX ISO7380 | SCREW M6X10 |
| 203 | CA19048V1 | 1 | MANTELLO DX STEAM BOX PROFESSIONAL | RIGHT PANEL |
| 204 | 85120220 | 7 | VITE M6X10 BUTTON HEAD INOX ISO7380 | SCREW M6X10 |
| 205 | CA19028 | 1 | COFANO S.BOX IND/PROF (SI ASP.) SALDATO | TOP PANEL - VACUUM |
| 206 | 85120220 | 4 | VITE M6X10 BUTTON HEAD INOX ISO7380 | SCREW M6X10 |
| 207 | PG51468 | 1 | PASSATUBO ø80 DETERGENT | MOUTHPIECE FOR DETERGENT TANK |
| 208 | PG51458 | 1 | PASSATUBO ø80 WATER | MOUTHPIECE FOR WATER TANK |
| 209 | PP00008 | 2 | TAPPO VENTILATO SENZA VALVOLA 80 PASSO 6 | CAP FOR FUNNEL |
| 210 | CA19058V1 | 1 | COPERCHIO QUADRO ELETTRICO S.BOX PROF | COVER FOR ELECTRIC BOX |
| 211 | 85120220 | 4 | VITE M6X10 BUTTON HEAD INOX ISO7380 | SCREW M6X10 |
| 212 | FS00074 | 1 | FUSTO H230 PORTA ASPIRATORE S.BOX. PROF. | PLASTIC VACUUM DRUM H230 |
| 213 | CA16276 | 1 | STAFFA OMEGA SUPPORTO/DISTANZIALE FUSTO | SUPPORT MOUNT FOR DRUM |
| 214 | VI81004 | 2 | VITE M6X25 BUTTON HEAD INOX ISO7380 | SCREW M6X25 |
| 215 | PG51047 | 2 | OR 5,23x2,62 NBR NERO OR3021/AS107 | O-RING |
| 216 | CA34124 | 1 | CESTELLO PORTA LANCE/ACCESSORI COMPLETO | RACK DOR LANCE/ACCESSORIES |
| 217 | CA19137 | 1 | STAFFA AVVOLGI TUBI LINEA STEAM BOX | WINDINGS BRACKET PIPE LINE STAEM BOX |
| 218 | VI76006 | 5 | VITE M6X12 BUTTON HEAD INOX ISO7380 | SCREW M6X12 |
| 219 | RA35R13 | 1 | MOLLA SAGOMATA CLIP + RONDELLA | SHAPED SPRING CLIP |
| 220 | VI71216 | 1 | VITE TCB TC M4x10 INO UNI7687 DIN 7985 | SCREW TCB TC INO UNI7687 M4x10 DIN 7985 |
| 221 | VI90025 | 1 | CHIAVE 55 DA DOTAZIONE X DRENAG.PLASTICA | PLASTIC KEY 55 |