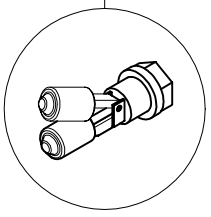
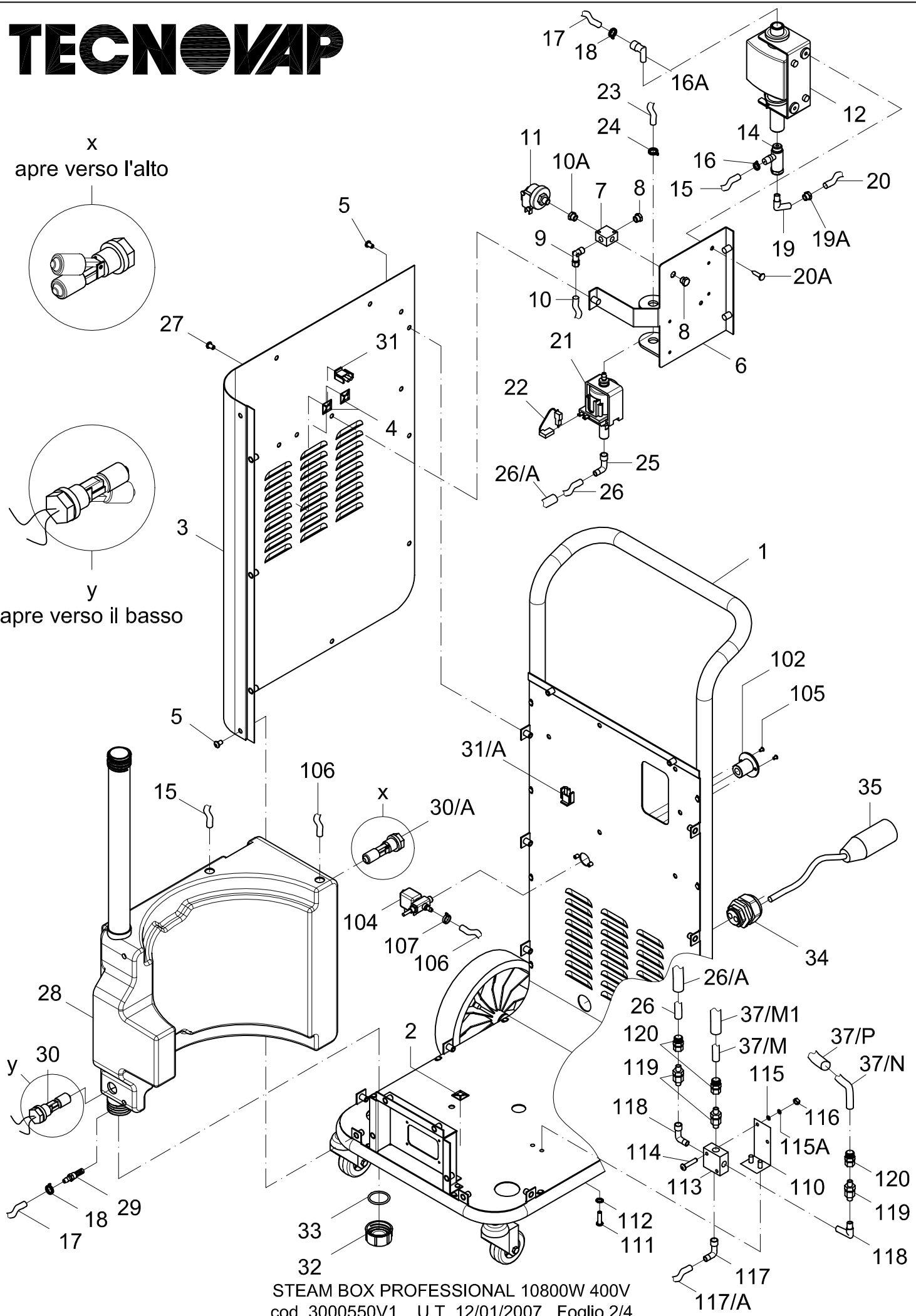
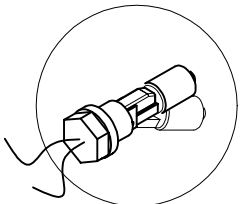


# TECNOVAP

x  
apre verso l'alto

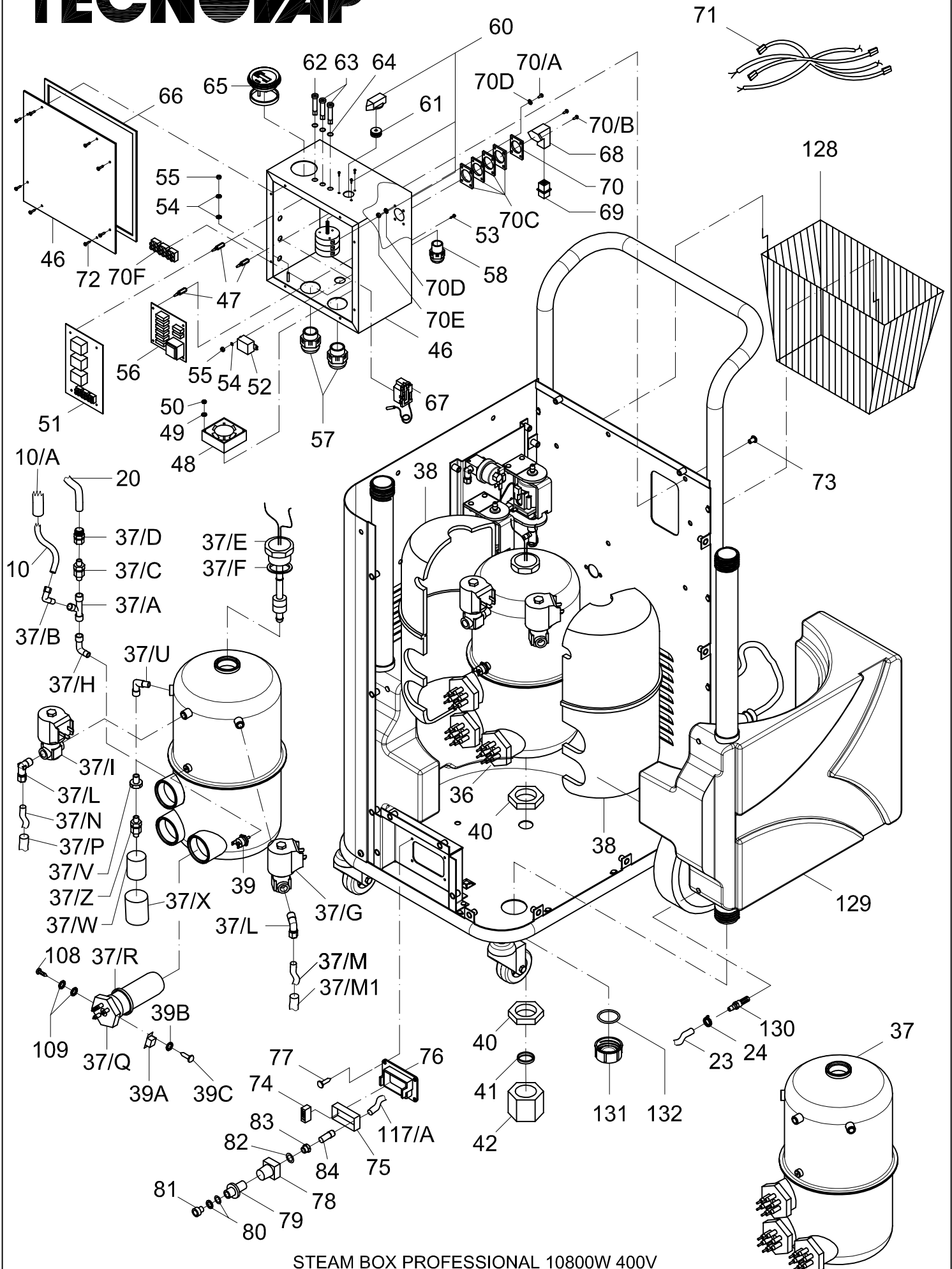


y  
apre verso il basso

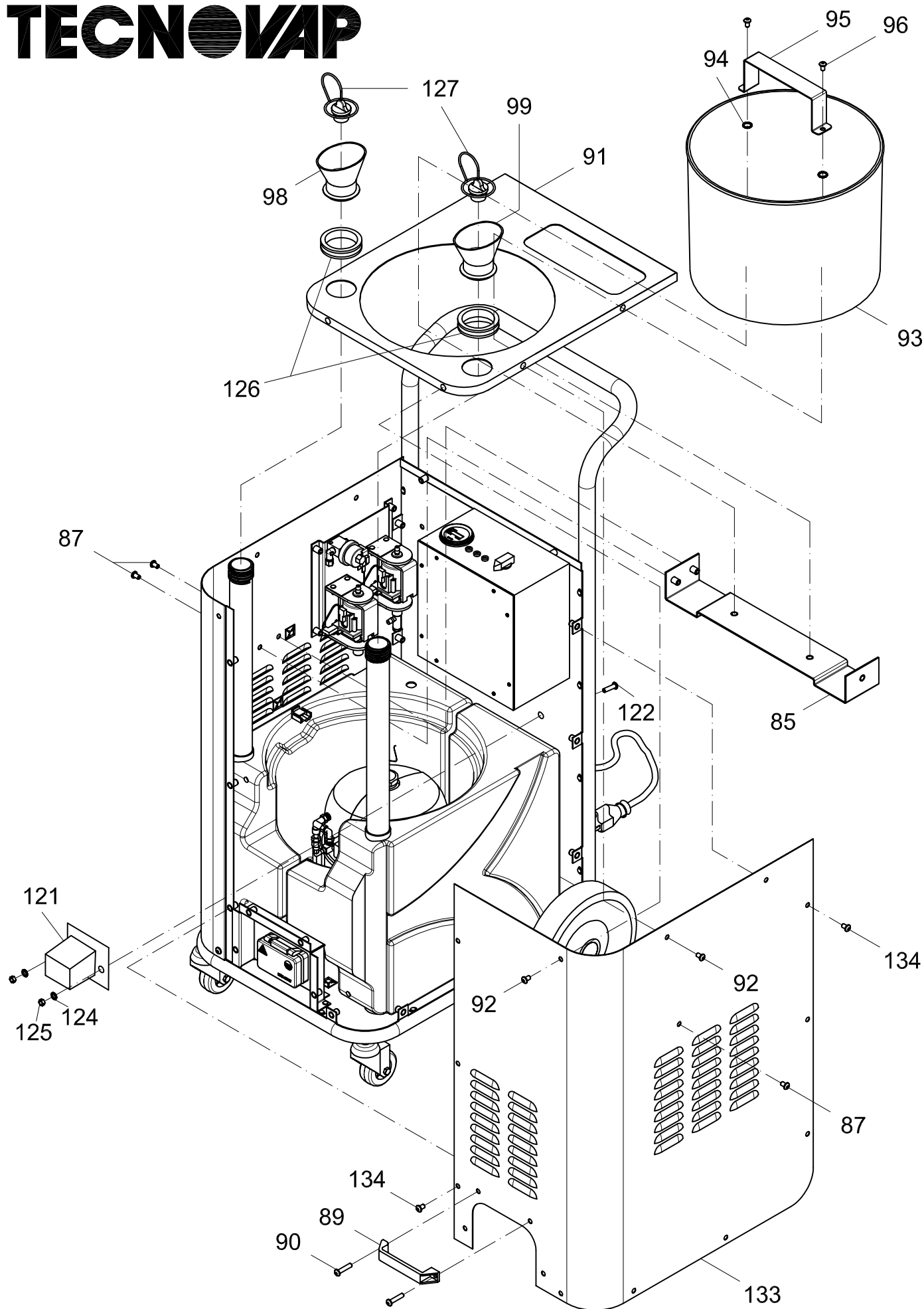


STEAM BOX PROFESSIONAL 10800W 400V  
cod. 3000550V1 U.T. 12/01/2007 Foglio 2/4

# TECNOVAP



STEAM BOX PROFESSIONAL 10800W 400V  
 cod. 3000550V1 U.T. 12/01/2007 Foglio 3/4



**STEAM BOX PROFESSIONAL 10800W (cod. 3000550V1 ) U.T. 12/01/2007**

Pos.	CODICE	Q.tà	DENOMINAZIONE	DENOMINATION
1	CR40004V1	1	CARRELLO COMPLETO STEAM BOX PROFESSIONAL	COMPL. TROLLEY FOR STEAM BOX PROF.
1/A	CR4004A	1	CARRELLO STEAM BOX PROFESSIONAL	TROLLEY FRAME FOR STEAM BOX PROF.
1/B	CR4004D	1	PERNO L.505 ø12 FISSAGGIO RUOTE S.B.P.	REAR WHEEL AXLE Ø 12
1/C	VI73003	2	RONDELLA ZN M12 UNI 6592 ISO 7089	WASHER ZN M12
1/D	PG5416	2	RUOTA POSTERIORE ø200 STEAM TECH	FIXED REAR WHEEL Ø 200
1/E	PG5245	2	COLLARE ELASTICO FERMO RUOTA PER ø12	WHEEL LOCK
1/F	PG5404	2	RUOTA ø60 M10x15 GIREVOLE	WHEEL Ø 60 10MAX15 - SWIVEL
1/G	PG5032	2	VOLANTINO TMP V1/30/V - M6x20	HANDWHEEL SCREW M6X20
2	RA3316	1	TAPPO ADESIVO ABM 1-M-A-D	ADHESIVE CAP
3	CA16004	1	MANTELLINO DX FISSO POMPE	RIGHT BODY PANEL
4	RA3316	2	TAPPO ADESIVO ABM 1-M-A-D	ADHESIVE CAP
5	85120220	6	VITE M6x10 "BUTTON HEAD" ISO 7380 INOX	SCREW M6X10 "BUTTON HEAD"
6	CA16005V1	1	STAFFA SUPPORTO POMPE STEAM BOX	PUMP SUPPORT PANEL
7	RA3089	1	BLOCCHETTO 4 VIE PER PRESS. S. TECH	4 WAY VALVE FOR PRESSURE SWITCH
8	RA3168	2	TAPPO PER RACCORDO 1/8" M	CAP FOR STRAIGHT VALVE 1/8" M
9	RA3155	1	RACCORDO 90° 1/8Mx4/2 (OGIVA)	VALVE 90° 1/8MX4/2
10	RA3210	mt 0.50	TUBO TEFLON ø4x2	TEFLON TUBE Ø 4X2
10/A	PG5338	mt 0.46	TUBO GOMMA EPDM NERO Ø7X10	EPDM TUBE Ø7X10
10/B	RA30724	1	RIDUZIONE 1/4" F 1/8" M	ADAPTOR 1/4" F 1/8" M
11	PE2420	1	PRESSOSTATO 16A 250V 9-15 bar VDE	PRESSURE SWITCH 16A 250V 9-15 bar
12	PE2046	1	POMPA ET3000	PUMP ET3000
14	PE2425	1	DEAREATORE PER POMPA	BLEEDER VALVE FOR PUMP
15	PG5365	mt 0.20	TUBO PVC TRASPARENTE 6x9	PVC TRANSPARENT TUBE 6X9
16	PG5247	1	FASCETTA BIFILIARE 9.8x10.4	CLAMP 9,8X10,4
16/A	RA30372	1	RACCORDO GOMITO 3/8" M PG7	ELBOW VALVE 3/8" M PG7
17	PG5327	mt 0.98	TUBO GOMMA CALZATO NERO ø4x8	SLEEVED HOSE Ø 4X8
18	PG5247	2	FASCETTA BIFILIARE 9.8x10.4	CLAMP 9,8X10,4
19	RA30442	1	RACCORDO GOMITO 3/8" M 1/8" F	ELBOW VALVE 3/8" M 1/8" F
19/A	RA3183	1	RACCORDO DIRITTO 6x8 1/8" M	STRAIGHT VALVE 6X8 1/8" M
20	RA3201	mt 0.33	TUBO TEFLON ø6x8	TEFLON TUBE Ø 6X8
20/A	VI7188	2	VITE TCB TC ZN M6x10	SCREW ZN M6X10
21	PE2404	1	POMPA ET500 P - 1/8" F NBR 230V 50Hz	PUMP ET500P - 1/8" F NBR 230V 50Hz
22	PE2408	1	TERMOPROTEZIONE 100°C COMPLETO	THERMAL PROTECTOR 100° C
23	PG5327	mt 1.38	TUBO GOMMA CALZATO NERO ø4x8	SLEEVED HOSE Ø 4X8
24	PG5247	2	FASCETTA BIFILIARE 9.8x10.4	CLAMP 9,8X10,4
25	RA3105	1	RACCORDO GOMITO 6x8 1/8" M	ELBOW VALVE 6X8 1/8" M
26	RA3201	mt 0.47	TUBO TEFLON ø6x8	TEFLON TUBE ø6X8
26/A	PG5360	mt 0.42	TUBO EPDM 12X15 STEAM TECH	EPDM TUBE Ø12X15
27	85120220	4	VITE M6x10 "BUTTON HEAD" ISO 7380 INOX	SCREW M6X10 "BUTTON HEAD"
28	CA121DX	1	SERBATOIO ACQUA STEAM BOX PROFESSIONAL	WATER TANK
29	RA3140	1	PORTAGOMMA C/FILTRO IN OTTONE	TUBE COUPLER W/ FILTER
30	PE2327	1	INTERRUTTORE REED GALLEGGIANTE	TANK FLOAT - HORIZ.
30/A	PE2327	1	INTERRUTTORE REED GALLEGGIANTE	TANK FLOAT - HORIZ.
31	PE21002	1	BLOCCHETTO M2 VIE MATE-N-LOK	2 WAY CONNECTOR
31/A	PE21002	1	BLOCCHETTO M2 VIE MATE-N-LOK	2 WAY CONNECTOR
32	RA3320	1	TAPPO NERO SERBATOIO	DRAIN CAP WATER/DET. TANK
33	PG5123	1	OR 29.82x2.62 SILICONE ROSSO OR3118	O-RING 29,82X2,62 SILICONE
34	PE20033	1	PRESSACAVO PLASTICA GRIGIA PG21	CABLE PRESS PG21
35	PE20944	1	CAVO ALIMENTAZIONE S/BOX 15600 5X4 8MT	POWER CORD 5X4 8m
36	0905044V1	1	CALDAIA COMP. S.BOX PROFESSIONAL 10800W	COMPL. BOILER 10800W
37	9905024V1	1	CALDAIA C/RES S.BOX PROFESSIONAL	BOILER W/ HEATING ELEMENT
37/A	RA31014	1	RACCORDO A Y 1/4Fx1/4Fx1/4F	Y CONNECTION 1/4FX1/4FX1/4F
37/B	RA31564	1	RACCORDO 90° 1/4Mx4/2 (OGIVA)	VALVE 90° 1/4MX4/2
37/C	RA34084	1	VALVOLA N/RITORNO MM MOLLA DURA 1/4	NON RETURN VALVE - HEAVY SPRING
37/D	RA31804	1	RACCORDO DIRITTO 6x8 1/4" F	STRAIGHT VALVE 6X8 1/4" F
37/E	RA33274	1	TAPPO OTTONE C/SONDA C.L. mm190	BRASS CAP LVL CONT. FLOAT mm 190
37/F	PG51033	1	GUARNIZIONE TEFLON ø33.2x40x2	TEFLON GASKET Ø 33,2X40X2
37/G	PE23014	1	ELETT. SERIE99 PTFE DN 1.5 1/4Fx1/4F	SOLENOID VALVE DN 1.5 1/4FX1/4F
37/H	RA31474	1	RACCORDO GOMITO 1/4Mx1/4M F/CON.	ELBOW VALVE 1/4MX1/4M
37/I	PE23024	1	ELETT. SERIE99 PTFE DN 2.8 20VA 1/4Fx1/4F	SOLENOID VALVE DN 2.8 20VA 1/4FX1/4F
37/L	RA31064	2	RACCORDO GOMITO 8x6 1/4" M	ELBOW VALVE 8X6 1/4" M
37/M	RA3201	mt 0.15	TUBO TEFLON ø6x8	TEFLON TUBE ø6X8
37/M1	PG5360	mt 0.12	TUBO EPDM 12X15 STEAM TECH	EPDM TUBE 12X15
37/N	RA3201	mt 0.23	TUBO TEFLON ø6x8	TEFLON TUBE ø6X8
37/P	PG5360	mt 0.20	TUBO EPDM 12X15 STEAM TECH	EPDM TUBE 12X15
37/Q	PE25226	3	RESISTENZA 230V 3600W 1" ¼	HEATING ELEMENT
37/R	PG5139	3	GUARNIZIONE ALLUMINIO ø42xø50x1.5	ALUMINUM GASKET Ø 42X50X1,5
37/U	RA31044	1	RACCORDO GOMITO 1/4" F - 1/4" M	ELBOW VALVE 1/4" F - 1/4" M
37/V	RA31874	1	RACCORDO DIRITTO 1/4Mx1/4FxM22	STRAIGHT VALVE 1/4MX1/4FXM22
37/W	RA30194	1	PORTAGOMMA M22x1.5 ø25 L.60	TUBE COUPLER M22X1,5 Ø 25 L.60
37/X	PG53017	mt 0.28	TUBO GOMMA EPDM NERO Ø25X28	EPDM TUBE Ø25X28
37/Z	RA34064	1	VALVOLA SIC. 97/23CE > 50 13bar 1/4M	SAFETY VALVE 97/23CE > 50 13bar 1/4M

38	IS40204	1	ISOLANTE CALDAIA	BOILER INSULATION
39	PE2334	1	TERMOSTATO 175° RIPRISTINO	RESET THERMOSTAT 175°
39/A	PE2344	3	TERMOSTATO 275° RIPRISTINO	RESET THERMOSTAT 275°
39/B	VI7318	3	RONDELLA DENTELLATA M4	LOCK WASHER M4
39/C	VI7130	3	VITE TC TC 3.5x9.5	SCREW 3,5X9,5
40	VI72034	2	DADO 1 1/2"G	NUT 1 1/2"G
41	PG52074	1	GUARNIZIONE EPDM ø45x33x4	EPDM GASKET Ø 45X33X4
42	RA31634	1	TAPPO DRENAGGIO 1 1/2"F	BOILER DRAIN CAP 1 1/2"
46	PE21964	1	QUADRO ELETTRICO S.BOX PROF. COMPL.	POWER BOX
47	PG5064	9	DISTANZIALE FILETTATO M3 ø6 NERO	THREADED SPACER M6 Ø 6
48	PE40004	1	VENTOLA RAFFREDDAMENTO	COOLING FAN
49	VI7318	2	RONDELLA DENTELLATA M4	LOCK WASHER M4
50	VI7212	2	DADO M4	NUT M4
51	PE2349	1	SCHEDA CONTATORI POTENZA TVAP30	ELECTRONIC BOARD TVAP30
52	PE2010	1	RELAY 200/240V 20A	RELAY 200/240V 20A
53	VI7161	2	VITE TSP M4x12	SCREW M4x12
54	VI7318	2	RONDELLA M4	WASHER M4
55	VI7212	2	DADO ZN M4 UNI5588 ISO4032 UNI EN 24032	NUT ZN M4
56	PE2347	1	SCHEDA TVAP20	ELECTRONIC BOARD TVAP20
57	PR00014	2	PRESSACAVO PLASTICA ISO32+GHIERA	CABLE PRESS FOR WIRING
58	PE2361	1	PRESSACAVO PLASTICO PG16	CABLE PRESS PG16
60	PE22714	1	COMMUTATORE 20A 400V 1P=GEN2P=CALD	MAIN SWITCH STEAM BOX VAC
61	PG5308	2	PASSATUBO 3.8x8.5x3-9x3x25 ELIS	MOUTHPIECE 3,8X8,5X3-6X3X25
62	PE2219	1	SPIA LUMINOSA ROSSA	RED INDICATOR LIGHT
63	PE2225	2	SPIA LUMINOSA VERDE	GREEN INDICATOR LIGHT
64	PG5106	3	OR 9.25x1.78 NBR GRIGIO RAL7035	O-RING 9,25X1,78 NBR
65	PE2440	1	CONTAORE 100/230 VAC 48/250 VDC	HOUR METER 100/230 VAC 48/250 VDC
66	IS40314	mt 0.15	SIGILLANTE SCHIUMA PVC GRIGIO 3x6 mm	SPONGE GASKET
67	PE20475	3	TERMOSTATO BULBO 230°	CONTROL THERMOSTAT 230°
68	PE21023	1	CUSTODIA PANNELLO 90°	CONNECTOR COVER 90°
69	PE21053	1	FRUTTO PRESA 7P+T 400V	SOCKET CONNECTOR 7P+T 400V
70	RA35004	1	PIASTRINA 50x50x1	MOUNTING PLATE - ELECTRIC SOCKET
70/A	VI7105	4	VITE RAPID FIX ZN TC 3.9x16 NERA	SCREW ZN 3,9X16 RAPID FIX
70/B	VI7152	2	VITE TC TC 3.5x9.5	VIS TC TC 3.5x9.5
70/C	PG5070	4	SPESSORE PER PRESA ASPIRATORE	SPACER FOR ELECTRIC SOCKET
70/D	VI7319	8	RONDELLA DENTELLATA M3	LOCK WASHER M3
70/E	VI7211	4	DADO M3	NUT M3
70/F	PE2015	0.5	MORSETTIERA MAMMUTH ø4 MM2	MAMMUTH ø4
71	PE20324	1	CABLAGGIO S.BOX PROF. 400V 15600W	COMPL. WIRING 400V 15600W
72	VI7148	8	VITE 4.8 M3x8	SCREW 4.8 M3x8
73	85120220	4	VITE M6x10 "BUTTON HEAD" ISO 7380 INOX	SCREW M6X10 "BUTTON HEAD"
74	PE30035	1	FRUTTO UN MODULO PER CONTATTO 12P	CONNECTOR FOR 12P CONTACT
75	PE30015	1	TELAIO 3 MODULI	FRAME FOR 3 CONNECTORS
76	PE30045	1	CUSTODIA DA PANNELLO CON LEVA	CONNECTOR COVER W/ SNAP
77	VI7152	4	VITE TC TC 3.5x9.5	VIS TC TC 3.5x9.5
78	PP00195	1	BLOCCHETTO ISOLANTE PER UGELLO	INSULATION BLOCK FOR NOZZLE
79	7200124	1	ATTACCO PER UGELLO MASCHIO	COUPLER FOR MALE NOZLE
80	PG51004	1	GUARNIZIONE TEFLON CON OR	TEFLON GASKET + O-RING SILICONE
81	7200134	1	UGELLO MASCHIO M8	MALE NOZZLE M8
82	VI7339	1	RONDELLA 10x16x0.5	WASHER 10X16X0,5
83	RA3142	1	RACCORDO DIRITTO 1/8"Fx1/8"M	STRAIGHT VALVE 1/8"FX1/8"M
84	RA3183	1	RACCORDO DIRITTO 6X8-1/8"M	STRAIGHT VALVE 8X6 1/8"M
85	CA16011	1	STAFFA PORTA ASPIRATORE S. BOX PROF.	VACUUM SUPPORT MOUNT
87	85120220	3	VITE M6x10 "BUTTON HEAD" ISO 7380 INOX	SCREW M6X10 "BUTTON HEAD"
89	010107	1	MANIGLIA NERA	BLACK HANDLE
90	VI81004	2	VITE M6x25 "BUTTON HEAD" ISO 7380 INOX	SCREW M6X25 "BUTTON HEAD"
91	CA16008	1	COFANO COMANDI STEAM BOX PROF. PER ASP.	TOP PANEL
92	85120220	8	VITE M6x10 "BUTTON HEAD" ISO 7380 INOX	SCREW M6X10 "BUTTON HEAD"
93	FS00074	1	FUSTO PLASTICA TRASP. 7lt h230	PLASTIC VACUUM DRUM H230
94	PG5311	2	PASSATUBO 6.8x18.5x1	MOUTHPIECE 6,8X18,5X1
95	CA16276	1	STAFFA OMEGA SUPPORTO/DISTANZIALE	SUPPORT MOUNT FOR DRUM
96	VI81004	2	VITE TBEI M6x25 INOX	SCREW M6X25
98	PG5069B	1	IMBUTO FILETTATO IN GOMMA BLU	THREADED FUNNEL - BLUE
99	PG5069G	1	IMBUTO FILETTATO IN GOMMA GIALLA	THREADED FUNNEL - YELLOW
102	RA31554	1	ATTACCO PER RETE IDRICA 3/8"Fx1/4"F ø42	COUPLER - DIRECT WATER FEED
104	PE2333	1	ELETTROVALVOLA + BOBINA 6W 230V 50Hz R	SOLENOID VALVE + COIL 6W 230V 50Hz
105	VI71614	2	VITE TSP TC M4x12 INOX UNI 7688 DIN 965 ISO 7045	SCREW M4X12
106	PG5327	mt 0.1	TUBO CALZATO NERO Ø 4X8	SLEEVED HOSE Ø 4X8
107	PG5215	1	FASCETTA STRIK MONORECCHIA 8.5 - 10	SINGLE EAR CLAMP 8,5-10
108	VI7130	3	VITE AUT. NIC. TC TC 3.5x9.5	SCREW 3,5X9,5
109	VI7318	6	RONDELLA DENTELLATA M4	LOCK WASHER M4
110	RA31005	1	STAFFA SUPPORTO COLLETTORE	SUPPORT MOUNT FOR COLLECTOR
111	VI7157	2	VITE 4.8 M4x16	SCREW 4.8 M4x16
112	VI7318	2	RONDELLA DENTELLATA M4	LOCK WASHER M4
113	RA30894	1	BLOCCHETTO 4 VIE 1/4"F	4 WAY VALVE FOR STEAM CONNECTION
114	VI7175	2	VITE 4.8 M3x25	SCREW 4.8 M3x25

115	VI7332	2	RONDELLA PIANA M3	WASHER M3
115/A	VI7319	2	RONDELLA DENTELLA M3	LOCK WASHER M3
116	VI7211	2	DADO M3	NUT M3
117	RA31064	1	RACCORDO GOMITO 8x6 1/4"M	ELBOW VALVE 8X6 1/4"M
117/A	RA3201	mt 0.15	TUBO TEFLON ø6x8	TEFLON TUBE ø6X8
118	RA31474	2	RACCORDO GOMITO 1/4"M 1/4"M	ELBOW VALVE 1/4"M 1/4"M
119	RA34094	3	VALVOLA NON RITORNO MOLLA DEBOLE	NON RETURN VALVE - LIGHT SPRING
120	RA31885	2	RACCORDO DIRITTO 6x8 1/4"F	STRAIGHT VALVE 6X8 1/4"F
121	PE20515	1	AUTOTRASFORMATORE 230VA 400/230V	SELFTRANSFORMER 230VA 400/230V
122	VI76007	2	VITE TBEI M5X10 INOX	SCREW M5X10
124	VI7303	2	RONDELLA DENTELLATA M6	LOCK WASHER M6
125	VI7213	2	DADO M5	NUT M5
126	PG5145	2	GUARNIZIONE TUBI	O-RING FOR ELECTRIC TUBING
127	RA3324	2	TAPPO PER IMBUTO EPDM NERO 60 SH	CAP FOR FUNNEL
128	CR8000	1	CESTELLO JUNIOR 400x260x150	BASKET 400X260X150
129	CA121SX	1	SERBATOIO DETERGENTE STEAM BOX	DETERGENT TANK
130	RA3140	1	PORTAGOMMA C/FILTRO IN OTTONE	TUBE COUPLER W/ FILTER
131	RA3320	1	TAPPO NERO SERBATOIO	DRAIN CAP WATER/DET. TANK
132	PG5123	1	OR 29.82x2.62 SILICONE ROSSO OR3118	O-RING 29,82X2,62 SILICONE
133	CA16007	1	MANTELLINO SX MOBILE STEAM BOX PROF.	LEFT BODY PANEL
134	85120220	11	VITE M6x10 "BUTTON HEAD" ISO 7380 INOX	SCREW M6X10 "BUTTON HEAD"