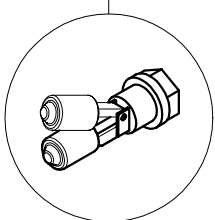
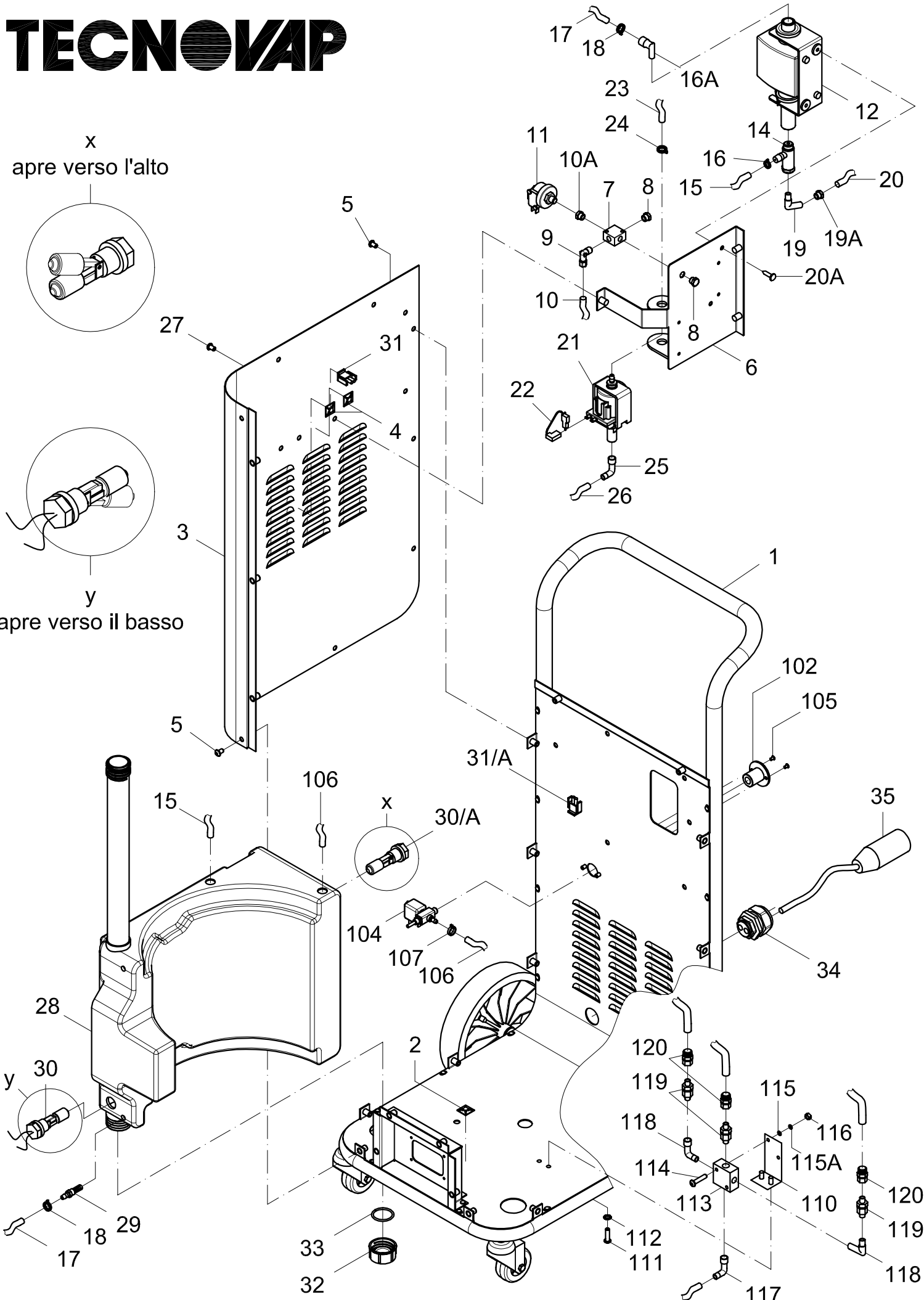
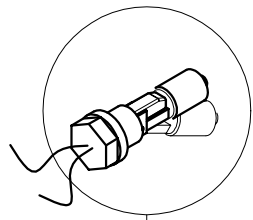
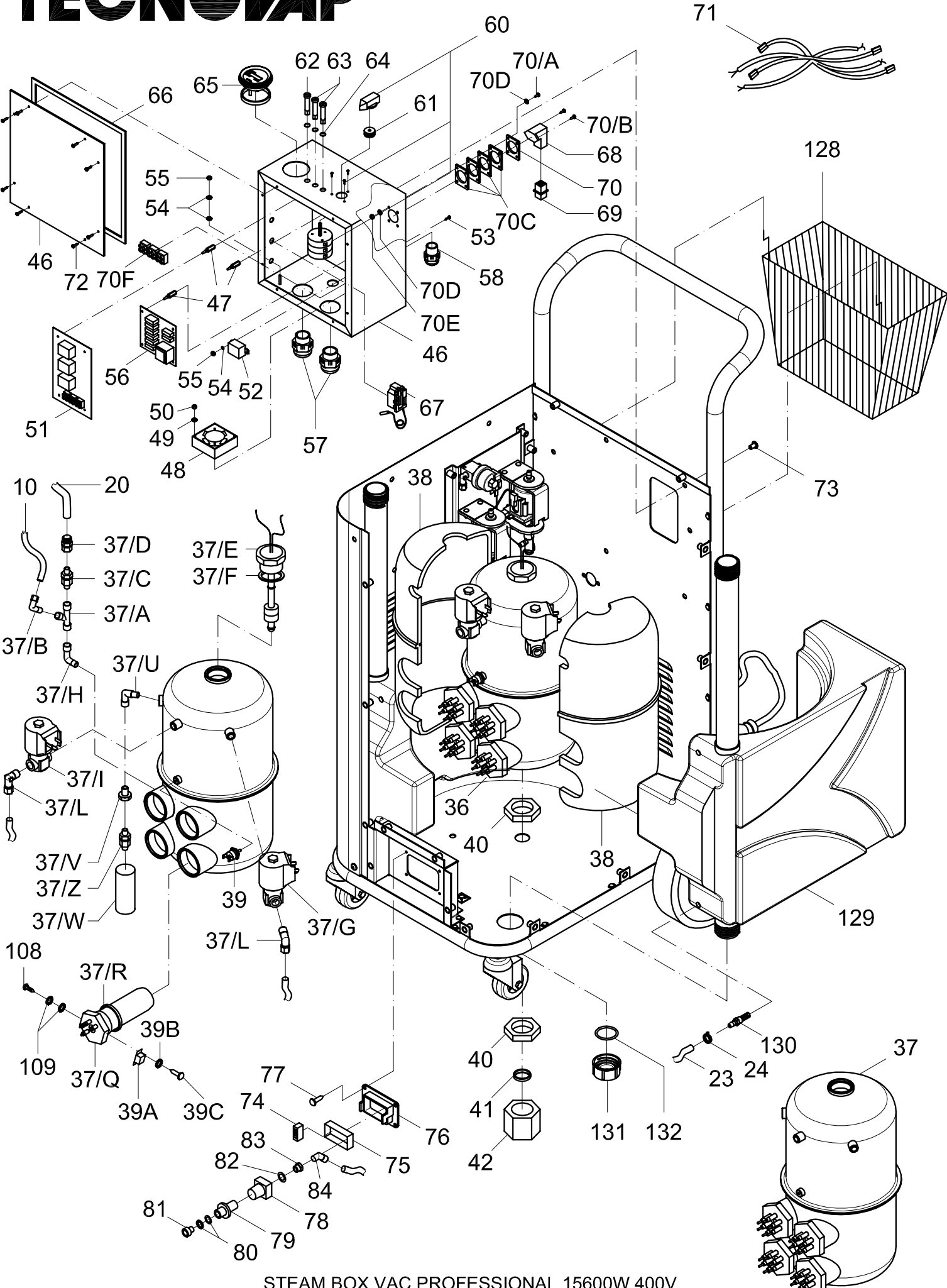


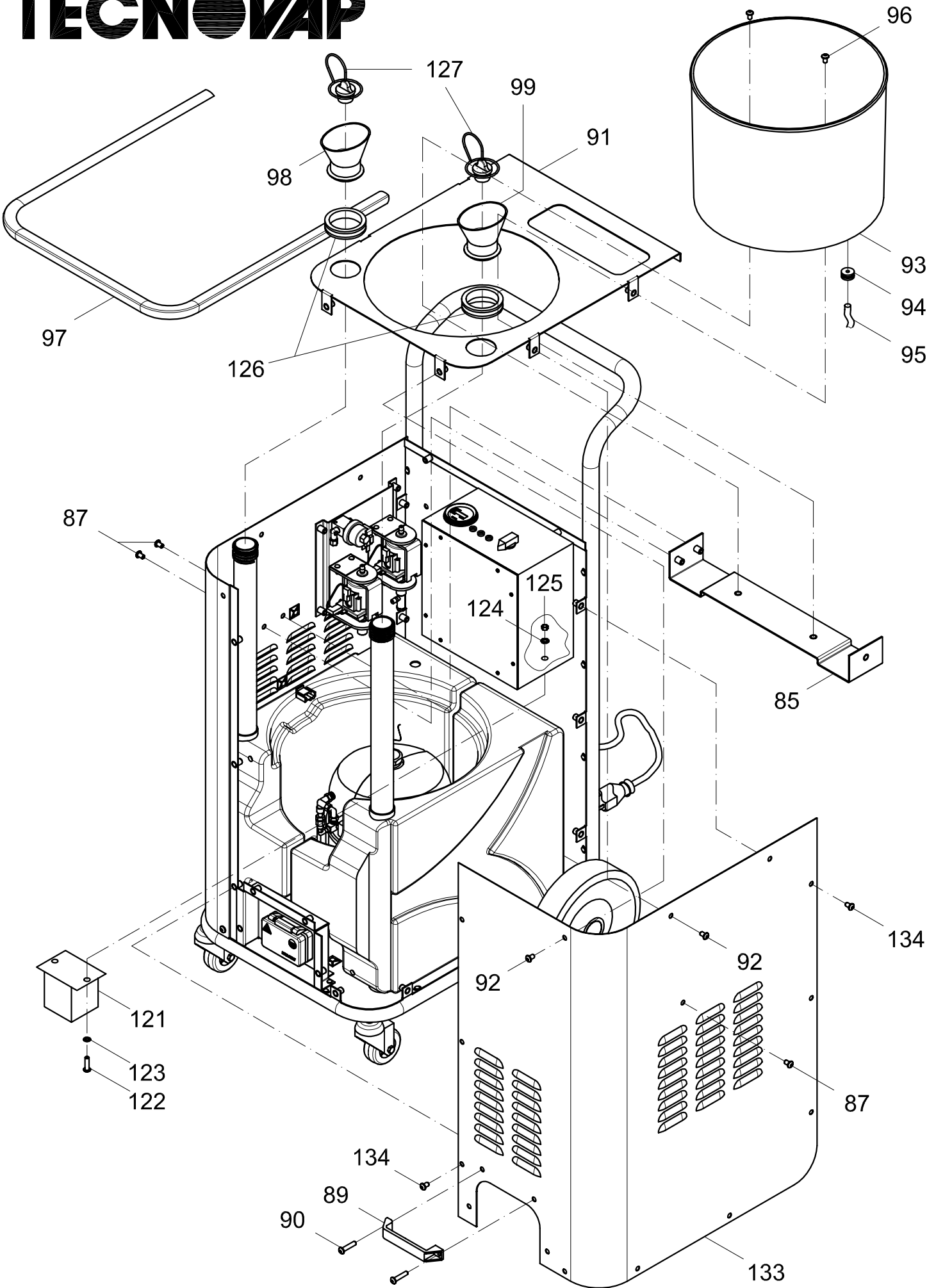
x
apre verso l'alto



y
apre verso il basso







STEAM BOX VAC PROFESSIONAL 15600W (cod. 3000500) U.T. 10/05/2005

| Pos. | CODICE | Q.tà | DENOMINAZIONE | DENOMINATION |
|------|-----------|---------|---|--------------------------------------|
| 1 | CR40004V1 | 1 | CARRELLO COMPLETO STEAM BOX PROFESSIONAL | COMPL. TROLLEY FOR STEAM BOX PROF. |
| 1/A | CR4004A | 1 | CARRELLO STEAM BOX PROFESSIONAL | TROLLEY FRAME FOR STEAM BOX PROF. |
| 1/B | CR4004D | 1 | PERNO L.505 ø12 FISSAGGIO RUOTE S.B.P. | REAR WHEEL AXLE Ø 12 |
| 1/C | V173003 | 2 | RONDELLA ZN M12 UNI 6592 ISO 7089 | WASHER ZN M12 |
| 1/D | PG5416 | 2 | RUOTA POSTERIORE ø200 STEAM TECH | FIXED REAR WHEEL Ø 200 |
| 1/E | PG5245 | 2 | COLLARE ELASTICO FERMO RUOTA PER ø12 | WHEEL LOCK |
| 1/F | PG5404 | 2 | RUOTA ø60 M10x15 GIREVOLE | WHEEL Ø 60 10MAX15 - SWIVEL |
| 1/G | PG5032 | 2 | VOLANTINO TMP V1/30/V - M6x20 | HANDWHEEL SCREW M6X20 |
| 2 | RA3316 | 1 | TAPPO ADESIVO ABM 1-M-A-D | ADHESIVE CAP |
| 3 | CA16004 | 1 | MANTELLINO DX FISSO POMPE | RIGHT BODY PANEL |
| 4 | RA3316 | 2 | TAPPO ADESIVO ABM 1-M-A-D | ADHESIVE CAP |
| 5 | 85120220 | 6 | VITE M6x10 "BUTTON HEAD" ISO 7380 INOX | SCREW M6X10 "BUTTON HEAD" |
| 6 | CA16005V1 | 1 | STAFFA SUPPORTO POMPE STEAM BOX | PUMP SUPPORT PANEL |
| 7 | RA3089 | 1 | BLOCCHETTO 4 VIE PER PRESS. S. TECH | 4 WAY VALVE FOR PRESSURE SWITCH |
| 8 | RA3168 | 2 | TAPPO PER RACCORDO 1/8" M | CAP FOR STRAIGHT VALVE 1/8" M |
| 9 | RA3155 | 1 | RACCORDO 90° 1/8Mx4/2 (OGIVA) | VALVE 90° 1/8MX4/2 |
| 10 | RA3210 | mt 0.52 | TUBO TEFLON ø4x2 | TEFLON TUBE Ø 4X2 |
| 10A | RA30724 | 1 | RIDUZIONE 1/4" F 1/8" M | ADAPTOR 1/4" F 1/8" M |
| 11 | PE2420 | 1 | PRESSOSTATO 16A 250V 9-15 bar VDE | PRESSURE SWITCH 16A 250V 9-15 bar |
| 12 | PE2046 | 1 | POMPA ET3000 | PUMP ET3000 |
| 14 | PE2425 | 1 | DEAREATORE PER POMPA | BLEEDER VALVE FOR PUMP |
| 15 | RA30350 | 1 | TUBO PVC TRASPARENTE 6x9 L.350 | PVC TRANSPARENT TUBE 6X9 |
| 16 | PG5247 | 1 | FASCETTA BIFILIARE 9.8x10.4 | CLAMP 9,8X10,4 |
| 16A | RA30372 | 1 | RACCORDO GOMITO 3/8" M PG7 | ELBOW VALVE 3/8" M PG7 |
| 17 | PG5327 | mt 0.98 | TUBO GOMMA CALZATO NERO ø4x8 | SLEEVED HOSE Ø 4X8 |
| 18 | PG5247 | 2 | FASCETTA BIFILIARE 9.8x10.4 | CLAMP 9,8X10,4 |
| 19 | RA30442 | 1 | RACCORDO GOMITO 3/8" M 1/8" F | ELBOW VALVE 3/8" M 1/8" F |
| 19A | RA3183 | 1 | RACCORDO DIRITTO 6x8 1/8" M | STRAIGHT VALVE 6X8 1/8" M |
| 20 | RA3201 | mt 0.4 | TUBO TEFLON ø6x8 | TEFLON TUBE Ø 6X8 |
| 20A | V17188 | 2 | VITE TCB TC ZN M6x10 | SCREW ZN M6X10 |
| 21 | PE2404 | 1 | POMPA ET500 P - 1/8" F NBR 230V 50Hz | PUMP ET500P - 1/8" F NBR 230V 50Hz |
| 22 | PE2408 | 1 | TERMOPROTETTORE 100°C COMPLETO | THERMAL PROTECTOR 100° C |
| 23 | PG5327 | mt 1.1 | TUBO GOMMA CALZATO NERO ø4x8 | SLEEVED HOSE Ø 4X8 |
| 24 | PG5247 | 2 | FASCETTA BIFILIARE 9.8x10.4 | CLAMP 9,8X10,4 |
| 25 | RA3105 | 1 | RACCORDO GOMITO 6x8 1/8" M | ELBOW VALVE 6X8 1/8" M |
| 26 | RA3201 | mt 0.31 | TUBO TEFLON ø6x8 | TEFLON TUBE ø6X8 |
| 27 | 85120220 | 4 | VITE M6x10 "BUTTON HEAD" ISO 7380 INOX | SCREW M6X10 "BUTTON HEAD" |
| 28 | CA121DX | 1 | SERBATOIO ACQUA STEAM BOX PROFESSIONAL | WATER TANK |
| 29 | RA3140 | 1 | PORTAGOMMA C/FILTRO IN OTTONE | TUBE COUPLER W/ FILTER |
| 30 | PE2327 | 1 | INTERRUTTORE REED GALLEGGIANTE | TANK FLOAT - HORIZ. |
| 30/A | PE2327 | 1 | INTERRUTTORE REED GALLEGGIANTE | TANK FLOAT - HORIZ. |
| 31 | PE21002 | 1 | BLOCCHETTO M2 VIE MATE-N-LOK | 2 WAY CONNECTOR |
| 31/A | PE21002 | 1 | BLOCCHETTO M2 VIE MATE-N-LOK | 2 WAY CONNECTOR |
| 32 | RA3320 | 1 | TAPPO NERO SERBATOIO | DRAIN CAP WATER/DET. TANK |
| 33 | PG5123 | 1 | OR 29.82x2.62 SILICONE ROSSO OR3118 | O-RING 29,82X2,62 SILICONE |
| 34 | PE20033 | 1 | PRESSACAVO PLASTICA GRIGIA PG21 | CABLE PRESS PG21 |
| 35 | PE20944 | 1 | CAVO ALIMENTAZIONE S/BOX 15600 5X4 8MT | POWER CORD 5X4 8m |
| 36 | 0905014 | 1 | CALDAIA COMP. S.BOX PROFESSIONAL 14400W | COMPL. BOILER 14400W |
| 37 | 9905014 | 1 | CALDAIA C/RES S.BOX PROFESSIONAL | BOILER W/ HEATING ELEMENT |
| 37/A | RA31014 | 1 | RACCORDO A Y 1/4Fx1/4Fx1/4F | Y CONNECTION 1/4FX1/4FX1/4F |
| 37/B | RA31564 | 1 | RACCORDO 90° 1/4Mx4/2 (OGIVA) | VALVE 90° 1/4MX4/2 |
| 37/C | RA34084 | 1 | VALVOLA N/RITORNO MM MOLLA DURA 1/4 | NON RETURN VALVE - HEAVY SPRING |
| 37/D | RA31804 | 1 | RACCORDO DIRITTO 6x8 1/4" F | STRAIGHT VALVE 6X8 1/4" F |
| 37/E | RA33274 | 1 | TAPPO OTTONE C/SONDA C.L. mm190 | BRASS CAP LVL CONT. FLOAT mm 190 |
| 37/F | PG51033 | 1 | GUARNIZIONE TEFLON ø33.2x40x2 | TEFLON GASKET Ø 33,2X40X2 |
| 37/G | PE23014 | 1 | ELETT. SERIE99 PTFE DN 1.5 1/4Fx1/4F | SOLENOID VALVE DN 1.5 1/4FX1/4F |
| 37/H | RA31474 | 1 | RACCORDO GOMITO 1/4Mx1/4M F/CON. | ELBOW VALVE 1/4MX1/4M |
| 37/I | PE23024 | 1 | ELETT. SERIE99 PTFE DN 2.8 20VA 1/4Fx1/4F | SOLENOID VALVE DN 2.8 20VA 1/4FX1/4F |
| 37/L | RA31064 | 2 | RACCORDO GOMITO 8x6 1/4" M | ELBOW VALVE 8X6 1/4" M |
| 37/Q | PE25403 | 1 | RESISTENZA 1500W+1500W 110V 50/60Hz | HEATING ELEMENT 1500+1500W 110V |
| 37/R | PG5139 | 1 | GUARNIZIONE ALLUMINIO ø42xø50x1.5 | ALUMINUM GASKET Ø 42X50X1,5 |
| 37/U | RA31044 | 1 | RACCORDO GOMITO 1/4" F - 1/4" M | ELBOW VALVE 1/4" F - 1/4" M |
| 37/V | RA31874 | 1 | RACCORDO DIRITTO 1/4Mx1/4FXM22 | STRAIGHT VALVE 1/4MX1/4FXM22 |
| 37/W | RA30194 | 1 | PORTAGOMMA M22x1.5 ø25 L.60 | TUBE COUPLER M22X1,5 Ø 25 L.60 |
| 37/Z | RA34064 | 1 | VALVOLA SIC. 97/23CE > 50 13bar 1/4M | SAFETY VALVE 97/23CE > 50 13bar 1/4M |
| 38 | IS40204 | 1 | ISOLANTE CALDAIA | BOILER INSULATION |
| 39 | PE2334 | 1 | TERMOSTATO 175° RIPRISTINO | RESET THERMOSTAT 175° |
| 39A | PE2344 | 4 | TERMOSTATO 275° RIPRISTINO | RESET THERMOSTAT 275° |
| 39B | V17318 | 4 | RONDELLA DENTELLATA M4 | LOCK WASHER M4 |
| 39C | V17130 | 4 | VITE TC TC 3.5x9.5 | SCREW 3,5X9,5 |
| 40 | V172034 | 2 | DADO 1 1/2" G | NUT 1 1/2" G |
| 41 | PG52074 | 1 | GUARNIZIONE EPDM ø45x33x4 | EPDM GASKET Ø 45X33X4 |

| | | | | |
|------|----------|---------|--|------------------------------------|
| 42 | RA31634 | 1 | TAPPO DRENAGGIO 1 1/2"F | BOILER DRAIN CAP 1 1/2" |
| 46 | PE21964 | 1 | QUADRO ELETTRICO S.BOX PROF. COMPL. | POWER BOX |
| 47 | PG5064 | 9 | DISTANZIALE FILETTATO M3 ø6 NERO | THREADED SPACER M6 Ø 6 |
| 48 | PE40004 | 1 | VENTOLA RAFFREDDAMENTO | COOLING FAN |
| 49 | VI7318 | 2 | RONDELLA DENTELLATA M4 | LOCK WASHER M4 |
| 50 | VI7212 | 2 | DADO M4 | NUT M4 |
| 51 | PE2349 | 1 | SCHEDA CONTATORI POTENZA TVAP30 | ELECTRONIC BOARD TVAP30 |
| 52 | PE2010 | 1 | RELAY 200/240V 20A | RELAY 200/240V 20A |
| 53 | VI7161 | 2 | VITE TSP M4x12 | SCREW M4x12 |
| 54 | VI7318 | 2 | RONDELLA M4 | WASHER M4 |
| 55 | VI7212 | 2 | DADO ZN M4 UNI5588 ISO4032 UNI EN 24032 | NUT ZN M4 |
| 56 | PE2347 | 1 | SCHEDA TVAP20 | ELECTRONIC BOARD TVAP20 |
| 57 | PR00014 | 2 | PRESSACAVO PLASTICA ISO32+GHIERA | CABLE PRESS FOR WIRING |
| 58 | PE2361 | 1 | PRESSACAVO PLASTICO PG16 | CABLE PRESS PG16 |
| 60 | PE22714 | 1 | COMMUTATORE 20A 400V 1P=GEN2P=CALD | MAIN SWITCH STEAM BOX VAC |
| 61 | PG5308 | 2 | PASSATUBO 3.8x8.5x3-9x3x25 ELIS | MOUTHPIECE 3,8X8,5X3-6X3X25 |
| 62 | PE2219 | 1 | SPIA LUMINOSA ROSSA | RED INDICATOR LIGHT |
| 63 | PE2225 | 2 | SPIA LUMINOSA VERDE | GREEN INDICATOR LIGHT |
| 64 | PG5106 | 3 | OR 9.25x1.78 NBR GRIGIO RAL7035 | O-RING 9,25X1,78 NBR |
| 65 | PE2440 | 1 | CONTAORE 100/230 VAC 48/250 VDC | HOUR METER 100/230 VAC 48/250 VDC |
| 66 | IS40314 | mt 0.15 | SIGILLANTE SCHIUMA PVC GRIGIO 3x6 mm | SPONGE GASKET |
| 67 | PE20475 | 1 | TERMOSTATO BULBO 230° | CONTROL THERMOSTAT 230° |
| 68 | PE21023 | 1 | CUSTODIA PANNELLO 90° | CONNECTOR COVER 90° |
| 69 | PE21053 | 1 | FRUTTO PRESA 7P+T 400V | SOCKET CONNECTOR 7P+T 400V |
| 70 | RA35004 | 1 | PIASTRINA 50x50x1 | MOUNTING PLATE - ELECTRIC SOCKET |
| 70A | VI7105 | 4 | VITE RAPID FIX ZN TC 3.9x16 NERA | SCREW ZN 3,9X16 RAPID FIX |
| 70B | VI7152 | 2 | VITE TC TC 3.5x9.5 | VIS TC TC 3.5x9.5 |
| 70C | PG5070 | 4 | SPESSORE PER PRESA ASPIRATORE | SPACER FOR ELECTRIC SOCKET |
| 70D | VI7319 | 8 | RONDELLA DENTELLATA M3 | LOCK WASHER M3 |
| 70E | VI7211 | 4 | DADO M3 | NUT M3 |
| 70F | PE2015 | 0.5 | MORSETTIERA MAMMUTH ø4 MM2 | MAMMUTH ø4 |
| 71 | PE20324 | 1 | CABLAGGIO S.BOX PROF. 400V 15600W | COMPL. WIRING 400V 15600W |
| 72 | VI7148 | 8 | VITE 4.8 M3x8 | SCREW 4.8 M3x8 |
| 73 | 85120220 | 4 | VITE M6x10 "BUTTON HEAD" ISO 7380 INOX | SCREW M6X10 "BUTTON HEAD" |
| 74 | PE30035 | 1 | FRUTTO UN MODULO PER CONTATTO 12P | CONNECTOR FOR 12P CONTACT |
| 75 | PE30015 | 1 | TELAIO 3 MODULI | FRAME FOR 3 CONNECTORS |
| 76 | PE30045 | 1 | CUSTODIA DA PANNELLO CON LEVA | CONNECTOR COVER W/ SNAP |
| 77 | VI7152 | 4 | VITE TC TC 3.5x9.5 | VIS TC TC 3.5x9.5 |
| 78 | PP00195 | 1 | BLOCCHETTO ISOLANTE PER UGELLO | INSULATION BLOCK FOR NOZZLE |
| 79 | 7200124 | 1 | ATTACCO PER UGELLO MASCHIO | COUPLER FOR MALE NOZLE |
| 80 | PG51004 | 1 | GUARNIZIONE TEFLON CON OR | TEFLON GASKET + O-RING SILICONE |
| 81 | 7200134 | 1 | UGELLO MASCHIO M8 | MALE NOZZLE M8 |
| 82 | VI7339 | 1 | RONDELLA 10x16x0.5 | WASHER 10X16X0,5 |
| 83 | RA3142 | 1 | RACCORDO DIRITTO 1/8"Fx1/8"M | STRAIGHT VALVE 1/8"FX1/8"M |
| 84 | RA3105 | 1 | RACCORDO GOMITO 8x6 1/4"M | ELBOW VALVE 8X6 1/4"M |
| 85 | CA16011 | 1 | STAFFA PORTA ASPIRATORE S. BOX PROF. | VACUUM SUPPORT MOUNT |
| 87 | 85120220 | 3 | VITE M6x10 "BUTTON HEAD" ISO 7380 INOX | SCREW M6X10 "BUTTON HEAD" |
| 89 | 010107 | 1 | MANIGLIA NERA | BLACK HANDLE |
| 90 | VI81004 | 2 | VITE M6x25 "BUTTON HEAD" ISO 7380 INOX | SCREW M6X25 "BUTTON HEAD" |
| 91 | CA16008 | 1 | COFANO COMANDI STEAM BOX PROF. PER ASP. | TOP PANEL |
| 92 | 85120220 | 8 | VITE M6x10 "BUTTON HEAD" ISO 7380 INOX | SCREW M6X10 "BUTTON HEAD" |
| 93 | FS00074 | 1 | FUSTO PLASTICA TRASP. 7lt h230 | PLASTIC VACUUM DRUM H230 |
| 94 | PG5305 | 1 | PASSATUBO 13x21x6 STIRO | MOUTHPIECE 13X21X6 |
| 95 | PG5360 | mt 0.5 | TUBO EPDM 12x15 STEAM TECH | EPDM HOSE 12X15 |
| 96 | 85120230 | 2 | VITE M6x16 "BUTTON HEAD" ISO 7380 INOX | SCREW M6X16 "BUTTON HEAD" |
| 97 | PG53004 | mt 1.27 | PARABORDO PER STEAM BOX | RUBBER GASKET - TOP PANEL |
| 98 | PG5069B | 1 | IMBUTO FILETTATO IN GOMMA BLU | THREADED FUNNEL - BLUE |
| 99 | PG5069G | 1 | IMBUTO FILETTATO IN GOMMA GIALLO | THREADED FUNNEL - YELLOW |
| 102 | RA31554 | 1 | ATTACCO PER RETE IDRICA 3/8"Fx1/4"F ø42 | COUPLER - DIRECT WATER FEED |
| 104 | PE2333 | 1 | ELETTROVALVOLA + BOBINA 6W 230V 50Hz R | SOLENOID VALVE + COIL 6W 230V 50Hz |
| 105 | VI71614 | 2 | VITE TSP TC M4x12 INOX UNI 7688 DIN 965 ISO 7045 | SCREW M4X12 |
| 106 | PG5365 | mt 0.1 | TUBO PVC TRASPARENTE 6x9 | PVC TRANSPARENT TUBE 6X9 |
| 107 | PG5215 | 1 | FASCETTA STRIK MONORECCHIA 8.5 - 10 | SINGLE EAR CLAMP 8,5-10 |
| 108 | VI7130 | 1 | VITE AUT. NIC. TC TC 3.5x9.5 | SCREW 3,5X9,5 |
| 109 | VI7318 | 2 | RONDELLA DENTELLATA M4 | LOCK WASHER M4 |
| 110 | RA31005 | 1 | STAFFA SUPPORTO COLLETTORE | SUPPORT MOUNT FOR COLLECTOR |
| 111 | VI7157 | 2 | VITE 4.8 M4x16 | SCREW 4.8 M4x16 |
| 112 | VI7318 | 2 | RONDELLA DENTELLATA M4 | LOCK WASHER M4 |
| 113 | RA30894 | 1 | BLOCCHETTO 4 VIE 1/4"F | 4 WAY VALVE FOR STEAM CONNECTION |
| 114 | VI7175 | 2 | VITE 4.8 M3x25 | SCREW 4.8 M3x25 |
| 115 | VI7332 | 2 | RONDELLA PIANA M3 | WASHER M3 |
| 115A | VI7319 | 2 | RONDELLA DENTELLA M3 | LOCK WASHER M3 |
| 116 | VI7211 | 2 | DADO M3 | NUT M3 |
| 117 | RA31064 | 1 | RACCORDO GOMITO 8x6 1/4"M | ELBOW VALVE 8X6 1/4"M |
| 118 | RA31474 | 2 | RACCORDO GOMITO 1/4"M 1/4"M | ELBOW VALVE 1/4"M 1/4"M |
| 119 | RA34094 | 3 | VALVOLA NON RITORNO MOLLA DEBOLE | NON RETURN VALVE - LIGHT SPRING |

| | | | | |
|-----|----------|----|--|--------------------------------|
| 120 | RA31885 | 2 | RACCORDO DIRITTO 6x8 1/4"F | STRAIGHT VALVE 6X8 1/4"F |
| 121 | PE20515 | 1 | AUTOTRASFORMATORE 230VA 400/230V | SELFTRANSFORMER 230VA 400/230V |
| 122 | VI7157 | 2 | VITE 4.8 M4x16 | SCREW 4.8 M4X16 |
| 123 | VI7314 | 2 | RONDELLA GREMBIULINA 4x12 | WASHER 4X12 |
| 124 | VI7318 | 2 | RONDELLA DENTELLATA M4 | LOCK WASHER M4 |
| 125 | VI7212 | 2 | DADO M4 | NUT M4 |
| 126 | PG5145 | 2 | GUARNIZIONE TUBI | O-RING FOR ELECTRIC TUBING |
| 127 | RA3324 | 2 | TAPPO PER IMBUTO EPDM NERO 60 SH | CAP FOR FUNNEL |
| 128 | CR8000 | 1 | CESTELLO JUNIOR 400x260x150 | BASKET 400X260X150 |
| 129 | CA121SX | 1 | SERBATOIO DETERGENTE STEAM BOX | DETERGENT TANK |
| 130 | RA3140 | 1 | PORTAGOMMA C/FILTRO IN OTTONE | TUBE COUPLER W/ FILTER |
| 131 | RA3320 | 1 | TAPPO NERO SERBATOIO | DRAIN CAP WATER/DET. TANK |
| 132 | PG5123 | 1 | OR 29.82x2.62 SILICONE ROSSO OR3118 | O-RING 29,82X2,62 SILICONE |
| 133 | CA16007 | 1 | MANTELLINO SX MOBILE STEAM BOX PROF. | LEFT BODY PANEL |
| 134 | 85120220 | 11 | VITE M6x10 "BUTTON HEAD" ISO 7380 INOX | SCREW M6X10 "BUTTON HEAD" |