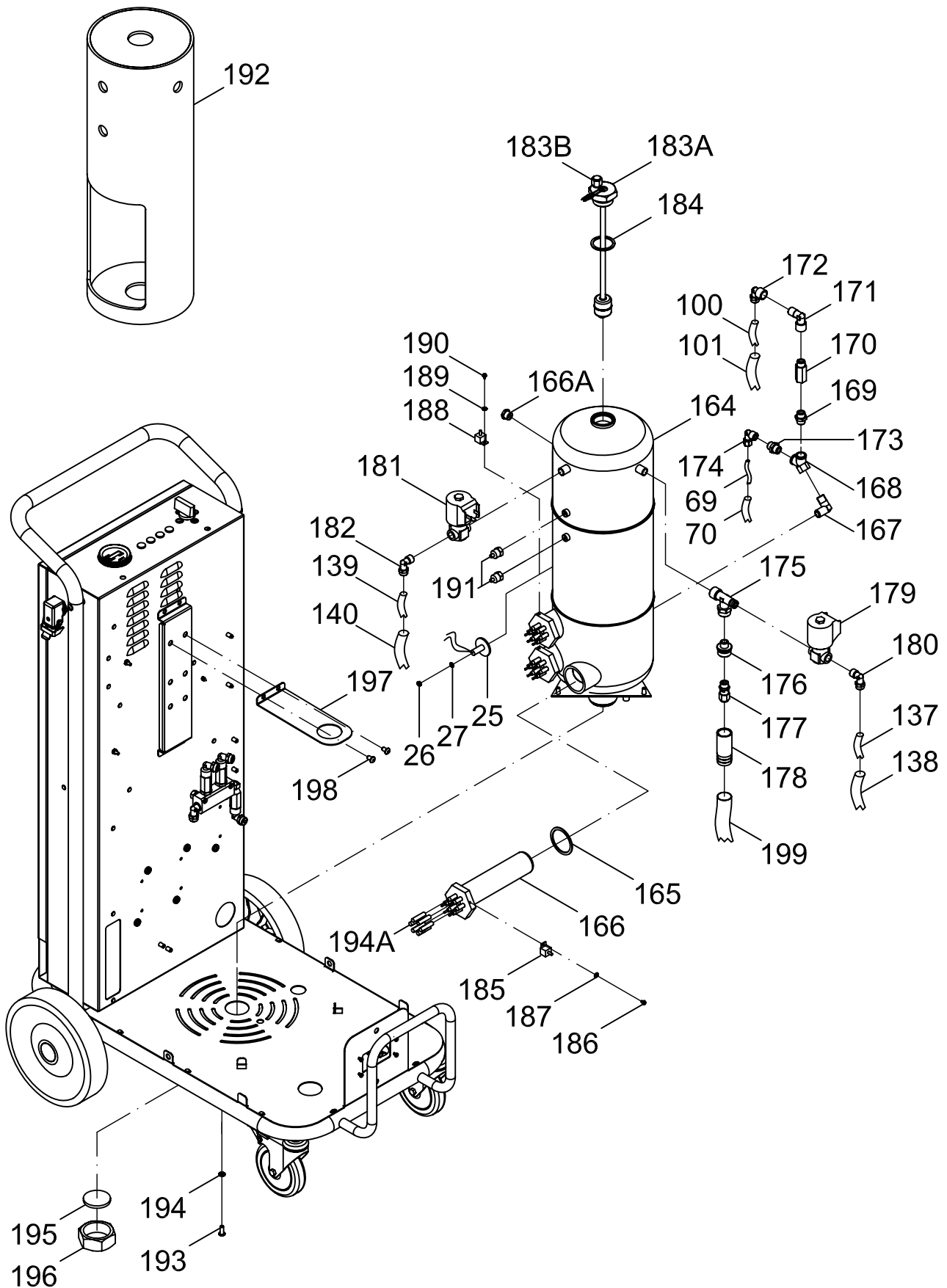
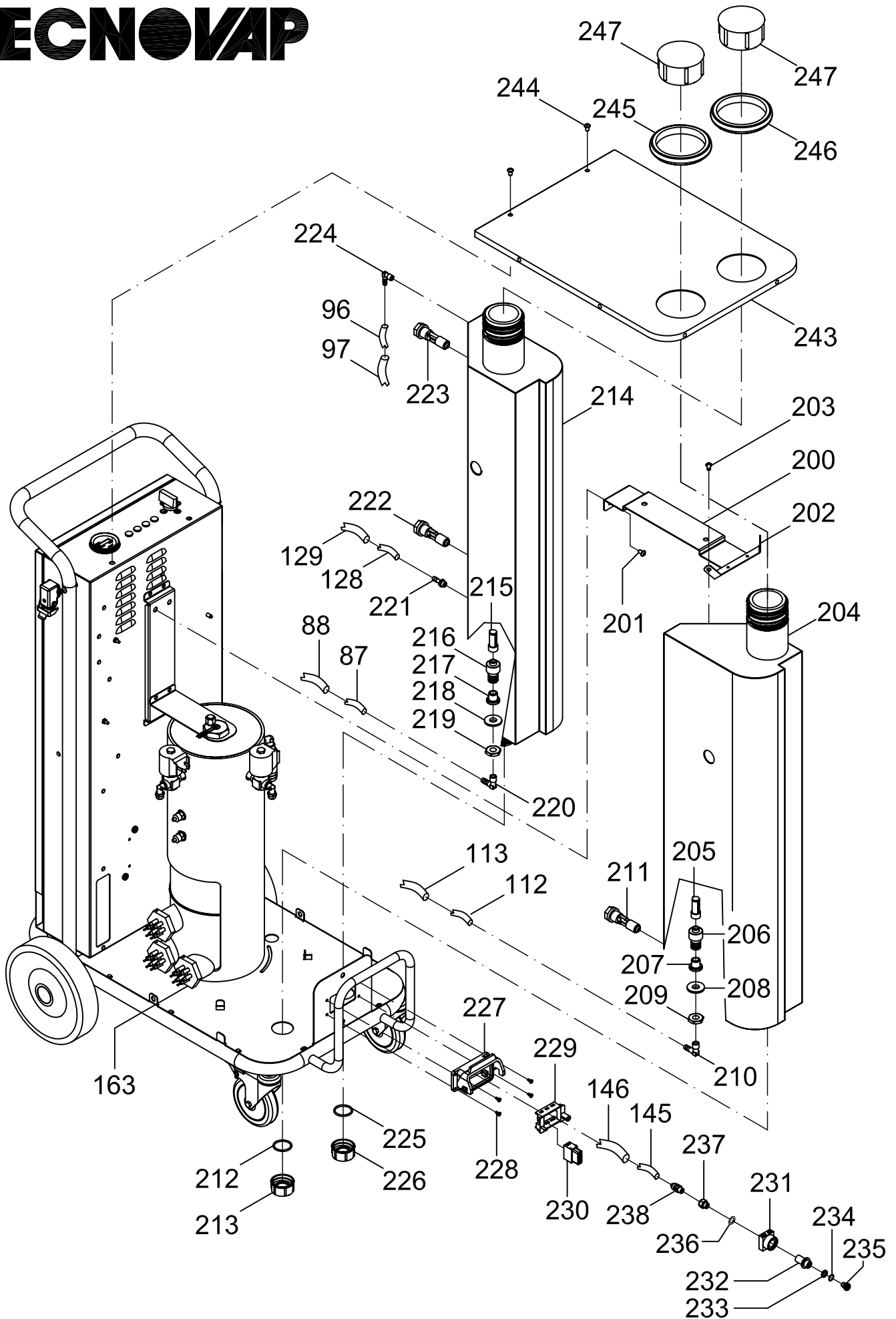
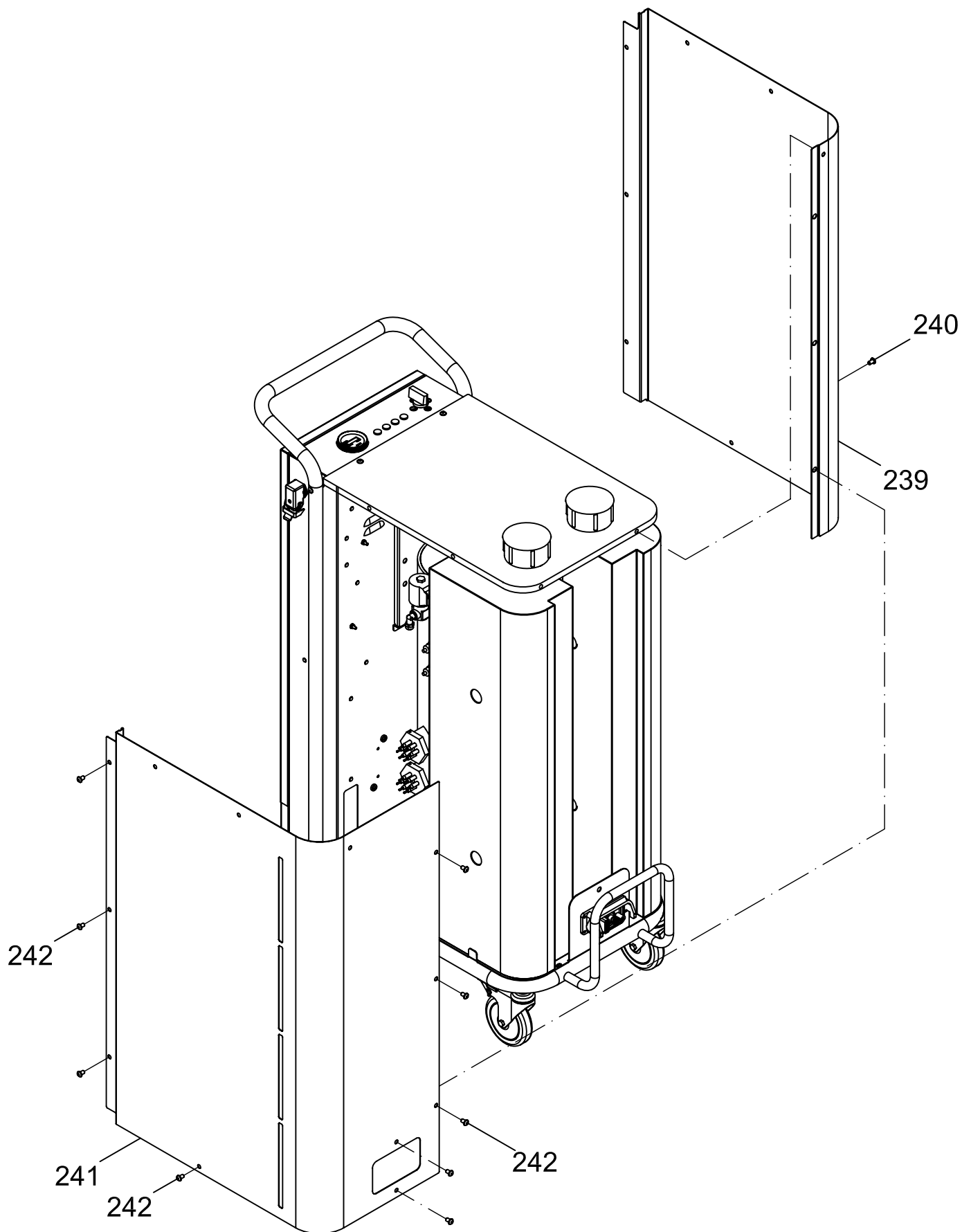


TECNOVAP







STEAM BOX INDUSTRIAL 10,8kW 400V cod. 3000150V5 REV.0 01/12/2010				
Pos.	CODICE	Q.tà	DENOMINAZIONE	DENOMINATION
1	CR40006V1	1	CARRELLO STEAM BOX INDUSTRIAL	COMPLETE TROLLEY FOR STEAM BOX IND.
2	PG54098	2	RUOTA ø100 GIREVOLE CON FRENO BLU	WHEEL Ø100 - SWIVEL W/ BRAKE
3	VI75008	2	RONDELLA M12 INOX	WASHER M12 INOX
4	VI71258	2	VITE TCEI M12x30 INOX	SCREW M12x30
5A	VI7336	2	RONDELLA INOX M20	WASHER INOX M20
5B	PG54168	2	RUOTA POSTERIORE ø200 S.BOX BLU	REAR WHEEL Ø 200
6	CR4006E	2	RONDELLA 16x32 INOX	WASHER 16x32 INOX
7	RA3163	2	TAPPO 3/8"G m	CAP 3/8"G
8	PG5304	2	PASSATUBO TAPPO ø20	MOUTHPIECE
9	CA16095V1	1	QUADRO ELETTRICO STEAM BOX INDUSTRIAL	ELECTRIC BOX STEAM BOX IND. ST. STEEL
10	PG5145	1	GUARNIZIONE TUBI PASSAGGIO	O-RING FOR ELECTRIC TUBING
11	85120220	2	VITE TBEI M6x10 INOX	SCREW M6x10 - ST. STEEL
12	VI76005	2	VITE TBEI M6x35 INOX	SCREW M6x35 - ST. STEEL
13	PE22750	1	COMMUTATORE ith 50A 400V 3POS.5CONT	MAIN SWITCH ith 50A 400V
14	PG5308	1	PASSATUBO 3.8-8.5x3-9x3x25	MOUTHPIECE 3.8-8.5x3-9x3x25
15	VI71215	2	VITE M4x6 TSP TC	SCREW M4x6
16	PE22257	2	SPIA LUMINOSA VERDE	GREEN INDICATOR LIGHT W/ NUT
17	PE22197	2	SPIA LUMINOSA ROSSA	RED INDICATOR LIGHT W/ NUT
18	PG5106	4	OR 9.25x1.78 NBR GRIGIO	O-RING 9.2x1.78 NBR
19	PG5123	1	OR 29.82x2.62 SILICONE ROSSO	O-RING 29.82x2.62 SILICON
20	PG51237	1	OR 3193 48.89x2.62	O-RING 48.89x2.62
21	PE24017	1	MANOMETRO/CONTAORE COMPLETO 10bar	PRESSURE GAUGE/HOUR
22	PG5115	1	OR 34.65x1.78 NBR NERO	O-RING 34.65x1.78
23	1200117V1	1	CORNICE TERMOMETRO DIGITALE NERA	MOUNT BASE
24	VI7114	5	VITE AUTOFIL.BR.TGS.2.9x9.5 UNI6956	SCREW 2.9x9.5
25	PE24517	1	SONDA NTC 10K	PROBE NTC 10K
26	VI7211	1	DADO M3	NUT M3
27	VI7319	1	RONDELLA DENTELATA M3	LOCK WASHER M3
28	PE21023	1	CUSTODIA PANNELLO 90° METALLO	CONNECTOR COVER 90°
29	VI7130	2	VITE AUTOFILETTANTE NICHELATA TC TC 3.5x9.5	SCREW 3.5x9.5
30	PE21053	1	FRUTTO PRESA 7P+T 400V 3~	SOCKET CONNECTOR 7P+T 400V 3~
31	RA3081	mt 0.111	SUPPORTO BARRA DIN 35x15	SUPPORT 35x15
32	VI7318	2	RONDELLA DENTELLATA M4	LOCK WASHER M4
33	VI7312	2	RONDELLA GREMBIULINA 4x16	WASHER 4x16
34	VI71615	2	VITE ZN M4x12	SCREW M4x12
35	VI7318	2	RONDELLA DENTELLATA M4	LOCK WASHER M4
36	VI7212	2	DADO M4	NUT M4
37	RA3081	mt 0.125	SUPPORTO BARRA DIN 35x15	SUPPORT 35x15
38	VI7318	2	RONDELLA DENTELLATA M4	LOCK WASHER M4
39	VI7312	2	RONDELLA GREMBIULINA 4x16	WASHER 4x16
40	VI71615	2	VITE ZN M4x12	SCREW M4x12
41	VI7318	2	RONDELLA DENTELLATA M4	LOCK WASHER M4
42	VI7212	2	DADO M4	NUT M4
43	VI74004	4	VITE TSP BRUGOLA M3x10	SCREW M3x10
44	PG5064	4	DISTANZIALE FILETTATO M3 L.15 CON GANCIO	THREADED SPACER M3 L.15
45	PE2347V	1	SCHEDA COMANDO ELETTRONICA TVAP20	ELECTRONIC BOARD TVAP20
46	VI7148	4	VITE TC TC M3x8	SCREW M3x8
47	PG5064	4	DISTANZIALE FILETTATO M3 L.15 CON GANCIO	THREADED SPACER M3 L.15
48	PE26006	1	SCHEDA ELETTRONICA CONTROLLO BT	ELECTRONIC BOARD
49	PE20517	1	AUTO. 400VA 400/230V+TRASFO.10VA	SELFTRANSFORMER
50	VI71615	4	VITE ZN M4x12	SCREW M4x12
51	VI7314	4	RONDELLA GREMBIULINA 4x12	WASHER 4x12
52	VI7318	8	RONDELLA DENTELLATA M4	LOCK WASHER M4
53	VI7212	4	DADO M4	NUT M4
54	PE20025	1	MORSETTO DI TERRA 10mmq M10/10	CONNECTOR FOR EARTHING 10mmq M10/10
55	PE20045	1	SEPARATORE DI CIRCUITO PER MORSETTO	SEPARATOR FOR CONNECTOR
56	PE20015	3	MORSETTO PER STEAM BOX 10mmq	CONNECTOR 10mmq
57	PE20035	1	PIASTRINA TERMINALE PER MORSETTO M10/10	TERMINAL PLATE FOR CONNECTOR M10/10
58	PE20005	20	MORSETTO PER STEAM BOX 4mmq	CONNECTOR 4mmq
59	PE20055	1	BLOCCETTO DI ARRESTO PER MORSETTO M10/10	STOPPER FOR CONNECTOR M10/10
60	PE23604	2	CONTATTORE 230V 50/60Hz 45A	CONTACTOR 230V 50/60Hz 45A
61	PE2068	1	PORTAFUSIBILE SEZIONE 1P+N 20A	FUSE HOLDER 1P+N 20A
62	PE2351	1	CONTATTORE POTENZA 230/50-60Hz 25A	CONTACTOR 230/50-60Hz 25A
63	PE40025	1	VENTOLA RAFFREDDAMENTO 92x92x25	COOLING FAN 92x92x25
64	PE40015	1	GRIGLIA PROTEZIONE PER VENTOLA 92x92	PROTECTION GRILL FOR FAN 92x92
65	VI71698	4	VITE M4x40 TC TC	SCREW M4x40
66	RA20005	1	COLLETTORE 76x25x20 2x1/4"G f 1/4"G f PASSANTE	COLLECTOR
67	RA30704	1	RIDUZIONE 1/4"G m 1/8"G f	REDUCTION
68	RA3186	1	RACCORDO DIRITTO 1/8"G m OGIVA 4/2	STRAIGHT VALVE 1/8"G ø 4/2
69	RA3210	mt. 0.73	TUBO TEFLON ø4x2	TEFLON HOSE ø4x2
70	PG5338	mt. 0.48	TUBO GOMMA EPDM NERO ø7x10	EPDM HOSE ø7x10
71	RA31685	1	TAPPO OTTONE 1/4"G m	BOILER DRAIN CAP

72	RA31044	1	RACCORDO GOMITO 1/4"G mx1/4"G f	ELBOW VALVE 1/4"G m x 1/4"G f
73	PE2420	1	PRESSOSTATO 16A 250V 9-15 bar	PRESSURE SWITCH 16A 250V 9-15 bar
74	RA31685	1	TAPPO OTTONE 1/4"M	BRASS CAP 1/4"M
75	VI7318	2	RONDELLA DENTELLATA M4	LOCK WASHER M4
76	VI71695	2	VITE M4x35 TC TC NIC. UNI7687 DIN7985	SCREW M4x35
77	PE20467	1	POMPA VOLUMETRICA 100L/H	PUMP 100LH
78	PE20547	1	MOTORE A INDUZIONE 120W 230V	MOTOR 120W 230V
79	VI7128	4	VITE M6x25 TE ZN	SCREW M6x25
80	VI7316	4	RONDELLA GREMBIULINA ZN 6x16	WASHER 6x16
81	VI7303	8	RONDELLA DENTELLATA ZN M6	LOCK WASHER M6
82	VI7201	4	DADO ZN M6 UNI 5588 ISO4032 UNI EN 24032	NUT M6
83	VI7306	1	RONDELLA DENTELLATA ZN M8	LOCK WASHER M8
84	VI7342	1	DADO M8 UNI 5589 ISO 4035 UNIEN 24035 ZN	NUT M8
85	RA32005	1	RIDUZIONE 3/8"G m 1/8"G f	REDUCTION 3/8"G 1/8"G
86	RA31058	1	RACCORDO GOMITO 6x8 - 1/8"G m GIREVOLE	ELBOW VALVE
87	RA33008	mt. 0.68	TUBO POLIURETANO BLU ø6x8	HOSE ø6x8
88	PG5360	mt. 0.51	TUBO EPDM 12x15	EPDM HOSE 12x15
89	RA32007	1	RIDUZIONE 3/8"G m 1/4"G f	REDUCTION 3/8"G 1/4"G
90	RA31607	1	RACCORDO GOMITO 3/8"G m 3/8"G f OTTONE	ELBOW VALVE 3/8"G 3/8"G
91	RA34084	1	VALVOLA N/RITORNO MF MOLLA DURA 1/4	NON RETURN VALVE - HEAVY SPRING 1/4
92	RA32017	1	RACCORDO 3/8"G f 1/4"G m	REDUCTION 3/8"G 1/4"G
93	PE2425	1	DEAREATORE PER ET3000	BLEEDER VALVE FOR PUMP
94	PG5360	mt. 0.05	TUBO EPDM 12x15	EPDM HOSE 12x15
95A	PG5246	1	FASCETTA BIFILIARE 10.4-11	CLAMP
95B	PG5247	1	FASCETTA BIFILIARE 9.8-10.4	CLAMP
96	RA33008	mt. 1.18	TUBO POLIURETANO BLU ø6x8	HOSE ø6x8
97	PG5360	mt. 1.13	TUBO EPDM 12x15	EPDM HOSE 12x15
98	RA31607	1	RACCORDO GOMITO 3/8"G m 3/8"G f OTTONE	ELBOW VALVE 3/8"G 3/8"G
99	RA31815	1	RACCORDO A GOMITO 6x8-3/8"G m	ELBOW VALVE 6x8 3/8"G m
100	RA3201	mt. 0.45	TUBO TEFLON ø6x8	TEFLON HOSE ø6x8
101	PG5360	mt. 0.4	TUBO EPDM 12x15	EPDM HOSE 12x15
102	PE20477	1	POMPA VOLUMETRICA 50L/H	PUMP 50LH
103	PE20547	1	MOTORE A INDUZIONE 120W 230V	MOTOR 120W 230V
104	VI7128	4	VITE M6x25 TE ZN	SCREW M6x25
105	VI7316	4	RONDELLA GREMBIULINA ZN 6x16	WASHER 6x16
106	VI7303	8	RONDELLA DENTELLATA ZN M6	LOCK WASHER M6
107	VI7201	4	DADO ZN M6 UNI 5588 ISO4032 UNI EN 24032	NUT M6
108	VI7306	1	RONDELLA DENTELLATA ZN M8	LOCK WASHER M8
109	VI7342	1	DADO M8 UNI 5589 ISO 4035 UNIEN 24035 ZN	NUT M8
110	RA32005	1	RIDUZIONE 3/8"G m 1/8"G f	REDUCTION 3/8"G 1/8"G
111	RA31058	1	RACCORDO GOMITO 6x8 - 1/8"G m GIREVOLE	ELBOW VALVE
112	RA33008	mt. 0.68	TUBO POLIURETANO BLU ø6x8	HOSE ø6x8
113	PG5360	mt. 0.48	TUBO EPDM 12x15	EPDM HOSE 12x15
114	RA32007	1	RIDUZIONE 3/8"G m 1/4"G f	REDUCTION 3/8"G 1/4"G
115	RA32018	1	RACCORDO A GOMITO 6x10 1/4"G m	ELBOW VALVE 6x10 1/4"G m
116	RA33107	mt. 0.52	TUBO TEFLON ø6x10	TEFLON HOSE Ø 6x10
117	PG5360	mt. 0.47	TUBO EPDM 12x15	EPDM HOSE 12x15
118	CA16200	1	STAFFA INGRESSO ALIMENTAZIONE PER ISO25	SUPPORT MOUNT FOR POWER CORD
119	RA31557	1	ATTACCO PER RETE IDRICA 3/8"G f x1/4"G f	COUPLER - DIRECT WATER FEED
120	VI71614	2	VITE TSP M4x20 INOX	SCREW M4x20
121	FL9000	1	FILTRO DET/ACQUA PER STEAM TECH	FILTER
122	RA32007	1	RIDUZIONE 3/8"G m 1/4"G f	REDUCTION 3/8"G 1/4"G
123	RA31474	1	RACCORDO GOMITO 1/4"G m x 1/4"G m	ELBOW VALVE 1/4"G m x 1/4"G m
124	PE23298	1	ELETTROV. 6611 + BOBINA B6 230V DN4	SOLENOID VALVE
125	RA31044	1	RACCORDO GOMITO 1/4"G m x 1/4"G f	ELBOW VALVE 1/4"G m x 1/4"G f
126	RA30704	1	RIDUZIONE 1/4"G m 1/8"G f	REDUCTION 1/4"G 1/8"G
127	RA31058	1	RACCORDO GOMITO 6x8 - 1/8"G m GIREVOLE	ELBOW VALVE
128	RA33008	mt. 0.43	TUBO POLIURETANO BLU ø6x8	HOSE ø6x8
129	PG5360	mt. 0.39	TUBO EPDM 12x15	EPDM HOSE 12x15
131	PE20033	1	PRESSACAVO PLASTICA PG21 M25x1.5	PLASTIC CABLEPRESS PG21
132	85120220	4	VITE TBEI M6x10 INOX	SCREW M6x10
133	RA20005	1	COLLETTORE 76x25x20 2x1/4"G 1/4"G	COLLECTOR
134	RA31875	2	RACCORDO DIRITTO 1/4"G m x 1/4"G m	STRAIGHT VALVE 1/4"G x 1/4"G
135	RA34094	2	VALVOLA NON RITORNO MOLLA DEBOLE	NON RETURN VALVE - LIGHT SPRING
136	RA32028	2	RACCORDO GOMITO 6x10 1/4"G f	ELBOW VALVE 6x10 1/4"G
137	RA33107	mt. 0.47	TUBO TEFLON ø6x10	TEFLON HOSE ø6x10
138	PG5360	mt. 0.42	TUBO EPDM 12x15	EPDM HOSE 12x15
139	RA33107	mt. 0.60	TUBO TEFLON ø6x10	TEFLON HOSE Ø 6X10
140	PG5360	mt. 0.55	TUBO EPDM 12x15	EPDM HOSE 12x15
141	RA31474	1	RACCORDO GOMITO 1/4"Mx1/4"M	ELBOW VALVE 1/4"G m x 1/4"G m
142	RA34084	1	VALVOLA NON RITORNO MOLLA DURA	NON RETURN VALVE - LIGHT SPRING
143	RA32028	1	RACCORDO GOMITO 6x10 1/4"G f	ELBOW VALVE 6x10 1/4"G f
144	RA32018	1	RACCORDO GOMITO 6x10 1/4"G m	ELBOW VALVE 6x10 1/4"G m
145	RA33107	mt. 0.68	TUBO TEFLON ø6x10	TEFLON HOSE ø6x10
146	PG5360	mt. 0.63	TUBO EPDM 12x15	EPDM HOSE 12x15
152	VI71695	2	VITE M4x35 TC TC	SCREW M4x35

153	VI7318	2	RONDELLA DENTELLATA M4	LOCK WASHER M4
154	VI72023	2	DADO M8 INOX	NUT M8 - ST. STEEL
155	PE21055V2	1	CABLAGGIO STEAM BOX INDUSTRIAL LATO QUADRO	WIRING - ELECTRIC BOX
156	VI7303	2	RONDELLA DENTELLATA M6	LOCK WASHER M6
157	VI7167	1	VITE F/R TE 6.3x13-14x1/2	SCREW 6,3x13-14x1/2
158	PE21065V1	1	CABLAGGIO STEAM BOX INDUSTRIAL LATO MACCHINA	WIRING - MACHINE
159	PE21095	1	CAVO ALIMENTAZIONE	POWER CORD
160	PE16008	1	SPINA 4P+T 400V 16A	PLUG
161	CA16295	1	STAFFA SUPORTO CALDAIA 3 LIVELLI	SUPPORT MOUNT FOR BOILER
162	85120220	3	VITE TBEI M6x10 INOX	SCREW M6x10 - ST. STEEL
163	0905024V2	1	CALDAIA COMPLETA	BOILER COMPLETE
164	9905024V2	1	CALDAIA STEAM BOX IND. C/RESIST. 10,8kW	BOILER W/ HEATING ELEMENT 10,8kW
165	PG51396	3	GUARNIZIONE RAME Ø42x50x1.5	COPPER GASKET Ø42x50x1,5
166	PE25226	3	RESISTENZA 230V 3600W 1" ¼	HEATING ELEMENT 230V 3600W
166A	RA31688	1	TAPPO OTTONE 1/4"G f	CAP 1/4"G f
167	RA31474	1	RACCORDO GOMITO 1/4"Mx1/4"M	ELBOW VALVE 1/4"G m x 1/4"G m
168	RA31014	1	RACCORDO A Y 1/4"G fx1/4"G fx1/4"G f	Y VALVE 1/4"G fx1/4"G fx1/4"G f
169	RA31875	1	RACCORDO DIRITTO 1/4"G m x 1/4"G m	STRAIGHT VALVE 1/4"G x 1/4"G
170	RA34084	1	VALVOLA NON RITORNO MOLLA DURA	NON RETURN VALVE - LIGHT SPRING
171	RA31044	1	RACCORDO GOMITO 1/4"G m x 1/4"G f	ELBOW VALVE 1/4"G m x 1/4"G f
172	RA31675	1	RACCORDO GOMITO 6x8 1/4"G f	ELBOW VALVE 6x8 1/4"G f
173	RA30704	1	RIDUZIONE 1/4"G m 1/8"G f	REDUCTION 1/4"G 1/8"G
174	RA3155	1	RACCORDO GOMITO 1/8"G m x 4/2	ELBOW VALVE 1/8"G m x4/2
175	RA31037	1	RACCORDO A T 1/4"G fx1/4"G fx1/4"G m	3-WAYS VALVE 1/4"G fx1/4"G fx1/4"G m
176	RA31874	1	RACCORDO DIRITTO 1/4"G mx1/4"G fxM22	STRAIGHT VALVE 1/4"G mx1/4"G fxM22
177	RA34064	1	VALVOLA SICUREZZA 97/23CE > 50 12 bar 1/4"G m	SAFETY VALVE 97/23CE > 50 12 bar 1/4"G m
178	RA30194	1	PORTAGOMMA M22x1.5xØ25 L.60	TUBE COUPLER M22x1,5xØ25 L.60
179	PE23014	1	ELETTROVAL. SERIE99 PTFE DN 1.5 1/4"G fx1/4"G f	SOLENOID VALVE 99 DN 1.5 1/4"G fx1/4"G f
180	RA32018	1	RACCORDO GOMITO 6x10 1/4"G m	ELBOW VALVE 6x10 1/4"G m
181	PE23024	1	ELETTROVAL. SERIE99 PTFE DN 2.8 20VA 1/4"G fx1/4"G f	SOLENOID VALVE 99 DN 2.8 20VA 1/4"G fx1/4"G f
182	RA32018	1	RACCORDO GOMITO 6x10 1/4"G m	ELBOW VALVE 6x10 1/4"G m
183A	RA33275	1	TAPPO OTTONE CON SONDA L.280	BRASS CAP LVL CONTACT FLOAT L.280
183B	RA34067	1	VALVOLA SICUREZZA 97/23CE > 50 15 bar 1/4"G m	SAFETY VALVE 97/23CE > 50 15 bar 1/4"G m
184	PG51033	1	GUARNIZIONE TEFLON Ø33.2x40x2	TEFLON GASKET Ø33,2x40x2
185	PE2344	3	TERMOSTATO 275° RIPRISTINO	RESET THERMOSTAT 275°
186	VI7130	3	VITE AUTOFILETTANTE NICHELATA TC TC 3.5x9.5	SCREW 3,5x9,5
187	VI7318	3	RONDELLA DENTELLATA M4	LOCK WASHER M4
188	PE23447	1	TERMOSTATO 235° RIPRISTINO R.A.	THERMOSTAT 235°
189	VI7318	1	RONDELLA DENTELLATA M4	LOCK WASHER M4
190	VI7130	1	VITE AUTOFILETTANTE NICHELATA TC TC 3.5x9.5	SCREW 3,5x9,5
191	PE2334	2	TERMOSTATO 175° RIPRISTINO	RESET THERMOSTAT 175°
192	IS40225	1	ISOLANTE CALDAIA STEAM BOX INDUSTRIAL H.540	BOILER INSULATION H540
193	85120230	3	VITE TBEI ISO 7380 M6x16 INOX	SCREW M6x16
194	VI73036	3	RONDELLA DENTELLATA INOX M6	LOCK WASHER M6
194A	PG53827	mt.0,96	CALZA VETRO SILICONE 6X8 ROSSO	SILICON GLASS SHIELD RED
195	PG52074	1	GUARNIZIONE SILICONE Ø50 Sp.4	SILICON GASKET Ø50
196	RA31634	1	TAPPO DRENAGGIO 1 1/2"G f	BOILER DRAIN CAP 1 1/2"G f
197	CA16285	1	STAFFA FISSAGGIO CALDAIA	SUPPORT MOUNT FOR BOILER
198	85120220	2	VITE TBEI M6x10 INOX	SCREW M6x10 - ST. STEEL
199	PG52005	mt. 0.59	TUBO SILICONE NERO 25x28	SILICON HOSE 25x28
200	CA16286	1	STAFFA FISSAGGIO FUSTO	FIXING MOUNT FOR VACUUM DRUM
201	85120220	2	VITE TBEI M6x10 INOX	SCREW M6x10 - ST. STEEL
202	CA16296	1	STAFFA FISSAGGIO SERBATOI	FIXING MOUNT FOR TANKS
203	85120220	2	VITE TBEI M6x10 INOX	SCREW M6x10 - ST. STEEL
204	CA126DX	1	SERBATOIO DETERGENTE STEAM BOX INDUSTRIAL	DETERGENT TANK
205	FL9000	1	FILTRO DETERGENTE ACQUA	WATER / DETERGENT FILTER
206	RA37018	1	RACCORDO PORTAFILTRO	VALVE FOR FILTER
207	PG50008	1	GOMMINO ESPANSIONE	RUBBER
208	PP00018	1	RONDELLA M16 PLASTICA	WASHER M16
209	PP00028	1	DADO M16 PLASTICA	NUT M16
210	RA31058	1	RACCORDO GOMITO 6x8 - 1/8"G m GIREVOLE	ELBOW VALVE
211	PE2327	1	INTERRUTTORE REED GALLEGGIANTE	TANK FLOAT - HORIZ.
212	PG5123	1	OR 29,82x2,62 SILICONE ROSSO	O-RING 29,82x2,62 SILICON
213	RA3320	1	TAPPO NERO SCARICO SERBATOIO	DRAIN CAP WATER / DET. TANK
214	CA126SX	1	SERBATOIO ACQUA STEAM BOX INDUSTRIAL	WATER TANK
215	FL9000	1	FILTRO DETERGENTE ACQUA	WATER / DETERGENT FILTER
216	RA37018	1	RACCORDO PORTAFILTRO	VALVE FOR FILTER
217	PG50008	1	GOMMINO ESPANSIONE	RUBBER
218	PP00018	1	RONDELLA M16 PLASTICA	WASHER M16
219	PP00028	1	DADO M16 PLASTICA	NUT M16
220	RA31058	1	RACCORDO GOMITO 6x8 - 1/8"G m GIREVOLE	ELBOW VALVE
221	RA31068	1	RACCORDO DIRITTO 6x8 - 1/8"G m GIREVOLE	STRAIGHT VALVE 1/8"G m
222	PE2327	1	INTERRUTTORE REED GALLEGGIANTE	TANK FLOAT - HORIZ.
223	PE2327	1	INTERRUTTORE REED GALLEGGIANTE	TANK FLOAT - HORIZ.
224	RA31058	1	RACCORDO GOMITO 6x8 - 1/8"G m GIREVOLE	ELBOW VALVE
225	PG5123	1	OR 29,82x2,62 SILICONE ROSSO	O-RING 29,82x2,62 SILICON

226	RA3320	1	TAPPO NERO SCARICO SERBATOIO	DRAIN CAP WATER / DET. TANK
227	PE30045	1	CUSTODIA DA PANNELLO CON LEVA	CONNECTOR COVER W/ SNAP
228	VI7137	4	VITE AUTOFIL. Ni TC TC. 3,5x13	SCREW 3,5x13
229	PE30015	1	TELAIO INCERNERIATO 3 MODULI PER CUSTODIA	FRAME FOR 3 CONNECTORS
230	PE30035	1	FRUTTO 1 MODULO PER CONTATTO F 12P	CONNECTOR FOR 12P CONTACT
231	PP00195	1	BLOCCHETTO ISOLANTE ALTA TEMP. PER UGELLO	INSULATION BLOCK FOR NOZZLE
232	7200124	1	ATTACCO PER UGELLO MASCHIO 1/8" F M8x1 F	COUPLER FOR MALE NOZZLE
233	PG51004	1	GUARNIZIONE TEFLON + OR SILICONE	TEFLON GASKET + OR SILICON
234	PG51428	1	OR 9,25x1,78 VITON FLUORAZ	O-RING 9,25x1,78 VITON FLUORAZ
235	7200134	1	UGELLO MASCHIO M8x1 m	MALE NOZZLE M8X1 m
236	VI7339	1	RONDELLA DI SPESSORAMENTO	WASHER
237	RA30724	1	RIDUZIONE 1/4"G f 1/8"G m	REDUCTION 1/4"G f 1/8"G m
238	RA32008	1	RACCORDO DIRITTO 6x10 1/4"G m	STRAIGHT VALVE 6x10 1/4"G m
239	CA19035	1	MANTELLINO SX STEAM BOX INDUSTRIAL	LEFT PANEL - S. BOX IND.
240	85120220	4	VITE TBEI M6x10 INOX	SCREW M6x10 - ST. STEEL
241	CA19045	1	MANTELLINO DX STEAM BOX INDUSTRIAL	RIGHT PANEL - S. BOX IND.
242	85120220	9	VITE TBEI M6x10 INOX	SCREW M6x10 - ST. STEEL
243	CA19018	1	COFANO S.BOX IND/PROF (NO ASP.) SALDATO	TOP PANEL - NO VACUUM
244	85120220	8	VITE TBEI M6x10 INOX	SCREW M6x10 - ST. STEEL
245	PG51468	1	PASSATUBO ø80 DETERGENT	MOUTHPIECE FOR DETERGENT TANK
246	PG51458	1	PASSATUBO ø80 WATER	MOUTHPIECE FOR WATER TANK
247	PP00008	2	TAPPO VENTILATO SENZA VALVOLA 80 PASSO 6	CAP FOR FUNNEL
248	CA19055	1	COPERCHIO QUADRO ELETTRICO STEAM BOX	COVER FOR ELECTRIC BOX
249	85120220	4	VITE TBEI M6x10 INOX	SCREW M6x10 - ST. STEEL