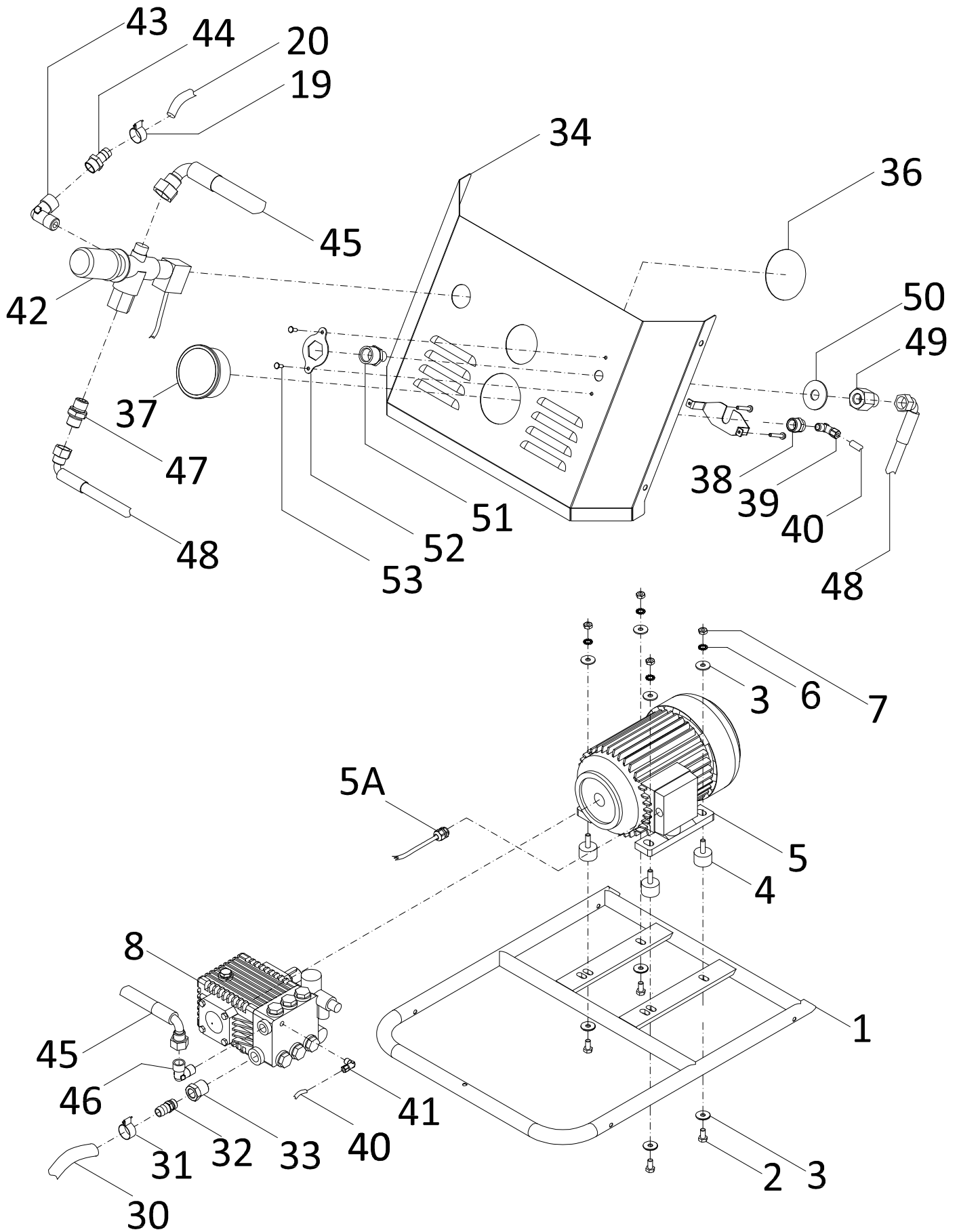
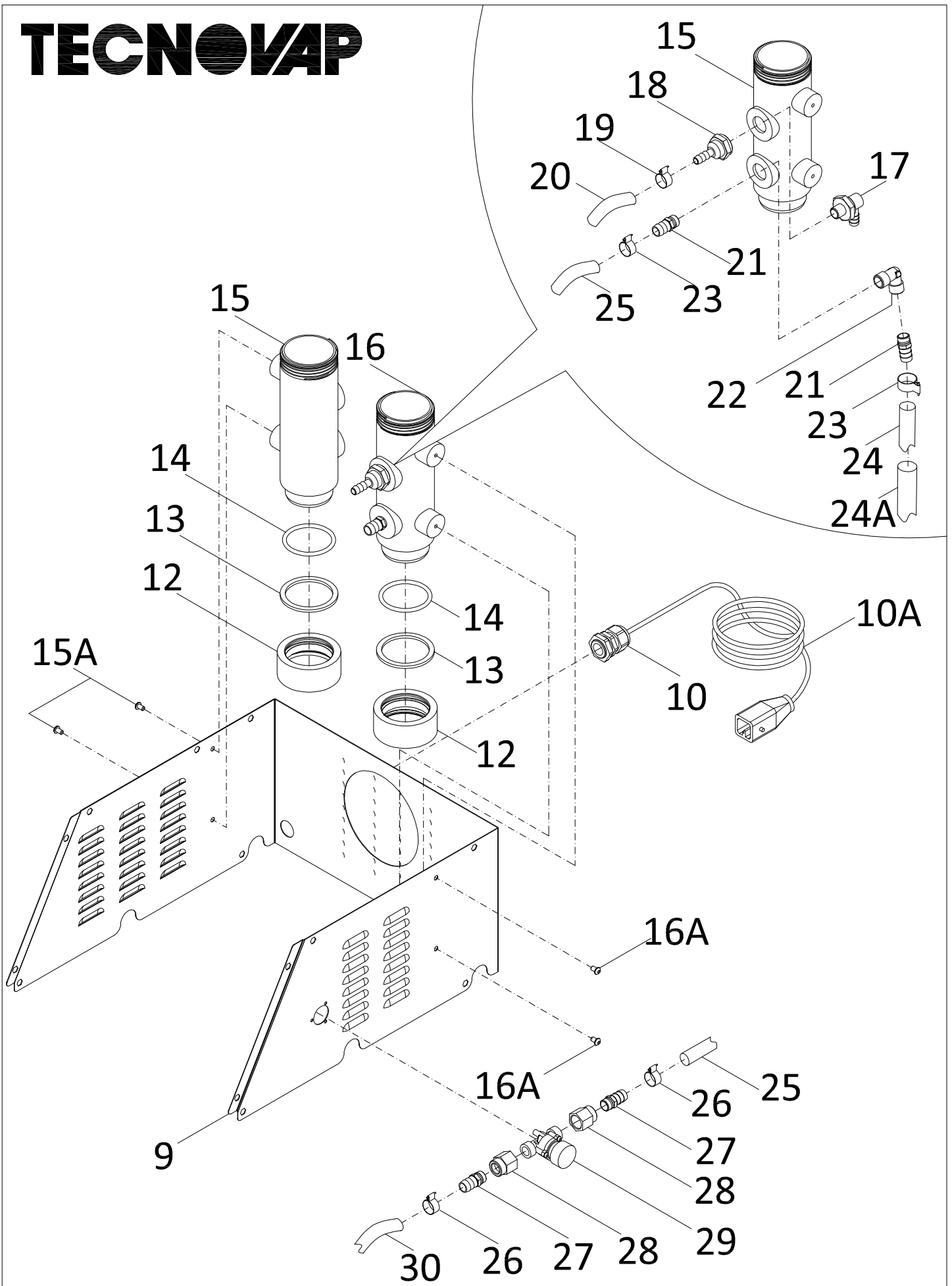
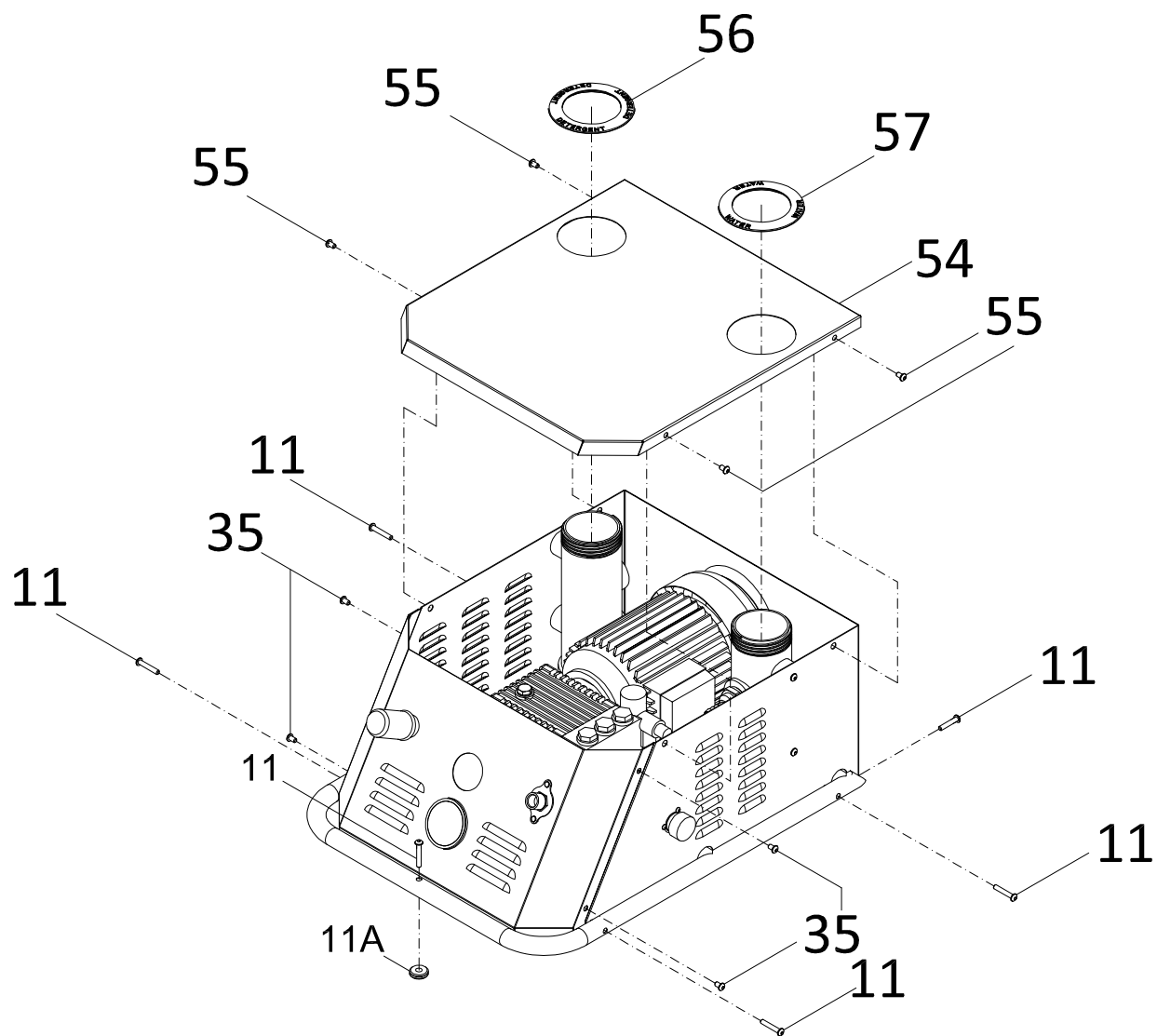


# TECNOVAP



GRUPPO PRESSIONE 4L/min. 150 bar cod. 04L1500V1 REV.0  
16/10/2012 pag.1/3





**GRUPPO PRESSIONE 4L/min. 150 bar cod. 04L1500V1 REV.0 16/10/2012**

Pos.	CODICE	Q.tà	DENOMINAZIONE	DENOMINATION
1	CR40111	1	TELAIO GRUPPO PRESSIONE	CHASSIS FOR HIGH PRESSURE MODULE
2	VI71184	4	VITE 8.8 TE ZN M8X16 (UNI 5739 DIN933)	SCREW 8.8 TE ZN M8X16 (UNI 5739 DIN933)
3	VI7305	8	RONDELLA GREMBIULINA ZN 8 X 24	WASHER ZN 8 X 24
4	PG42011	4	SUPPORTO AMMORTIZZANTE MOTORE	ANTI-VIBRATION MOUNT
5	PE42010	1	MOTORE 4POLI 1450RPM 3~ 1,5KW 400V	EL. MOTOR 4POLE 1450RPM 3~ 1,5KW 400V
5A	PE20034	1	PRESSACAVO C/DADO PLASTICA PG9	CABLE PRESS PG9
6	VI7306	4	RONDELLA DENTELLATA ZN M8	TOOTHED WASHER ZN M8
7	VI7342	4	DADO M8 UNI 5589 ISO 4035 UNIEN 24035 ZN	NUT M8 UNI 5589 ISO 4035 UNIEN 24035 ZN
8	PE24210	1	POMPA ALTA PRESS. 150 bar 4l/min	HIGH PRESSURE PUMP 150 bar 4L/min
9	CA19811V1	1	MANTELLO POST. GRUPPO PRESSIONE	BACK PANEL FOR HIGH PRESSURE MODULE
10	PE20033	1	PRESSACAVO OTT/NIC M25X1,5 + GHIERA	CABLEPRESS M25x1.5 + NUT
10A	PE40002	1	CAVO ALIMENT. POWER MODULE 7G1	POWER CABLE
11	VI76005	7	VITE TBEI ISO 7380 M6X35 INOX	SCREW ISO 7380 M6X35 INOX
11A	PG5308	1	PASSATUBO 3.8-8.5x3-9x3x25	MOUTHPIECE 3.8-8.5x3-9x3x25
12	CA12511	2	RACCORDO AVVITABILE SERBATOI S/POWER	THREADED CONNECTOR TANK S/POWER
13	NO CODIF.	2	GUARNIZIONE RACCORDO AVVITABILE	GASKET FOR THREADED CONNECTOR
14	PG51011	2	OR 62,87 X 5,33 NBR 70 NERO	OR 62,87 X 5,33 NBR 70 BLACK
15	CA12711	1	PROLUNGA SERBATOIO STEAM POWER	TANK EXTENSION
15A	85120220	2	VITE TBEI ISO 7380 M6X10 INOX	SCREW ISO 7380 M6X10 INOX
16	CA12611	1	PROLUNGA SERBATOIO S/POWER	TANK EXTENSION
16A	85120220	2	VITE TBEI ISO 7380 M6X10 INOX	SCREW ISO 7380 M6X10 INOX
17	RA32011	1	PORTAGOMMA GOMITO 3/8" M Ø14 PLASTICA	ELBOW 3/8" MALE TO BARB CONNECTORS Ø14
18	RA32111	1	PORTAGOMMA DIRITTO 3/8" F Ø12 PLASTICA	STRAIGHT 3/8" FEMALE TO BARB CONNECTORS Ø12
19	PG52111	2	FASCETTA METALLICA Ø17	CLAMP Ø17
20	RA33311	mt. 0.52	TUBO TRASPARENTE TELATO Ø11X17	CLOTH HOSE Ø11 x 17
21	RA31617	2	PORTAGOMMA DIRITTO 3/8" M C/O-RING Ø17	STRAIGHT 3/8" M W/O-RING TO BARB CONNECTORS Ø17
22	RA32311	1	RACCORDO COMITO 3/8" F- 3/8" F CIL	ELBOW CONNECTION 3/8" F TO 3/8" F
23	PG52011	2	FASCETTA METALLICA Ø22	CLAMP Ø22
24	RA33211	mt. 0.73	TUBO TRASPARENTE ASPIRAZIONE Ø 16 X 22	INLET HOSE Ø 16 X 22
24A	RA34012	1	TUBO RIGIDO Ø32 X ASP. POWER MODULE	RIGID TUBE Ø32
25	RA33211	mt. 0.125	TUBO TRASPARENTE ASPIRAZIONE Ø 16 X 22	INLET HOSE Ø 16 X 22
26	PG52011	2	FASCETTA METALLICA Ø22	CLAMP Ø22
27	RA31617	2	PORTAGOMMA DRITTO 3/8" M C/O-RING Ø17	STRAIGHT 3/8" M W/O-RING TO BARB CONNECTORS Ø17
28	RA32411	2	RACCORDO DIRITTO 3/8" F - 1/2" F	STRAIGHT 3/8" F TO 1/2" F
29	FL12512	1	FILTRO ISPEZIONABILE 125 MICRONS 1/2M	INSPECTIONABLE FILTER 125 MICRONS 1/2" M
30	RA33211	mt.0.27	TUBO TRASPARENTE ASPIRAZIONE Ø 16 X 22	INLET HOSE Ø 16 X 22
31	PG52011	2	FASCETTA METALLICA Ø22	CLAMP Ø22
32	RA31617	2	PORTAGOMMA DRITTO 3/8" M C/O-RING Ø17	STRAIGHT 3/8" M W/O-RING TO BARB CONNECTORS Ø17
33	RA32010	1	RIDUZIONE 1/2" M x 3/8" F	STRAIGHT CONNECTION 1/2" MALE TO 3/8" FEMALE
34	CA19911V1	1	MANTELLO ANT. GRUPPO PRESSIONE	FRONT PANEL FOR HIGH PRESSURE MODULE
35	85120220	4	VITE TBEI ISO 7380 M6X10 INOX	SCREW ISO 7380 M6X10 INOX
36	AD90011	1	POLICARBONATO ISPEZIONE OLIO POMPA	PLASTIC INSPECTION WINDOW FOR THE PUMP OIL LEVEL
37	PE24312	1	MANOMETRO CON GLICERINA Ø63 0-250bar	PRESSURE GAUGE Ø63 0-250 bar
38	RA32211	1	RIDUZIONE 1/8" F - 1/4" F	STRAIGHT CONNECTION 1/8" FEMALE TO 1/4" FEMALE
39	RA3155	1	RACCORDO GOMITO 1/8 X 4x2 (OGIVA)	ELBOW CONNECTION 1/8" X 4x2 (OGIVE)
40	PG53511	1	TUBO RAME Ø4X2 L.470	COPPER TUBE Ø4X2 L.470
41	RA3155	1	RACCORDO GOMITO 1/8 X 4x2 (OGIVA)	ELBOW CONNECTION 1/8" X 4x2 (OGIVE)
42	RA32077	1	VALVOLA REG C/MICRO VB8 3/8"220bar 30L/min	REGULATION VALVE W/MICRO 220 bar 30 L/min
43	RA31607	1	RACCORDO GOMITO 3/8" M 3/8" F OTTONE	ELBOW CONNECTION 3/8" MALE TO 3/8" FEMALE
44	RA32511	1	PORTAGOMMA DRITTO 3/8" M Ø12	STRAIGHT 3/8" MALE TO BARB CONNECTORS Ø12
45	PGL2001	1	TUBO ALTA PRESSIONE 3/8" F x 3/8" F L.195	HIGH PRESSURE HOSE 3/8" F x 3/8" F L.195
46	RA31681	1	RACCORDO COMITO 3/8" M-3/8" M T.CONICA	ELBOW CONNECTION 3/8" MALE TO 3/8" MALE
47	RA31671	1	RACCORDO DIRITTO 3/8" M-3/8" M T.CONICA	STRAIGHT CONNECTION 3/8" MALE TO 3/8" MALE
48	PGL3501	1	TUBO ALTA PRESSIONE 3/8" F x 3/8" F L.345	HIGH PRESSURE HOSE 3/8" F x 3/8" F L.345
49	RA31664	1	RACCORDO DIRITTO 1/4" F - 3/8" M T.CONICA	STRAIGHT CONNECTION 1/4" FEMALE TO 3/8" MALE
50	VI7333	1	RONDELLA 18/8 INOX 13x37 DIN9021A	WASHER 18/8 INOX 13x37 DIN9021A
51	RA31651	1	RACCORDO DIRITTO 1/4" M-M22x1.5	STRAIGHT CONNECTION 1/4" MALE TO M22x1.5
52	CA17511	1	FISSAGGIO USCITA ALTA PRESSIONE S/PRESS	HIGH PRESSURE OUTLET FIXING PLATE
53	VI7022	2	RIVETTO ACCIAIO INOX Ø4X12 UNI9200A	RIVET INOX Ø4X12 UNI9200A
54	CA19001	1	COFANO GRUPPO PRESSIONE	TOP PLATE FOR HIGH PRESSURE MODULE
55	85120220	4	VITE TBEI ISO 7380 M6X10 INOX	SCREW ISO 7380 M6X10 INOX
56	PG51468	1	PASSATUBO Øi 80 DETERGENT	MOUTHPIECE FOR DETERGENT TANK
57	PG51458	1	PASSATUBO Øi 80 WATER	MOUTHPIECE FOR WATER TANK