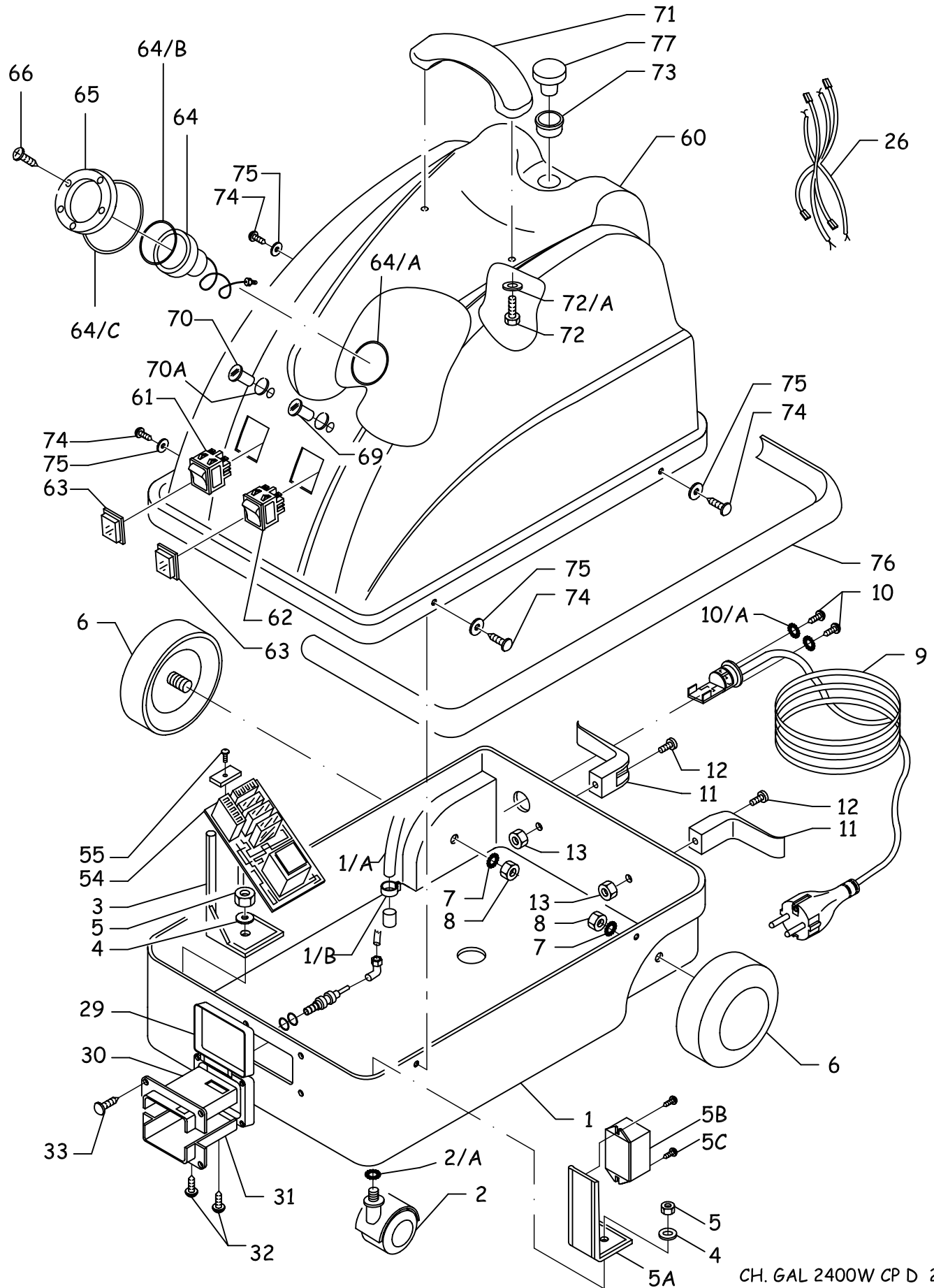
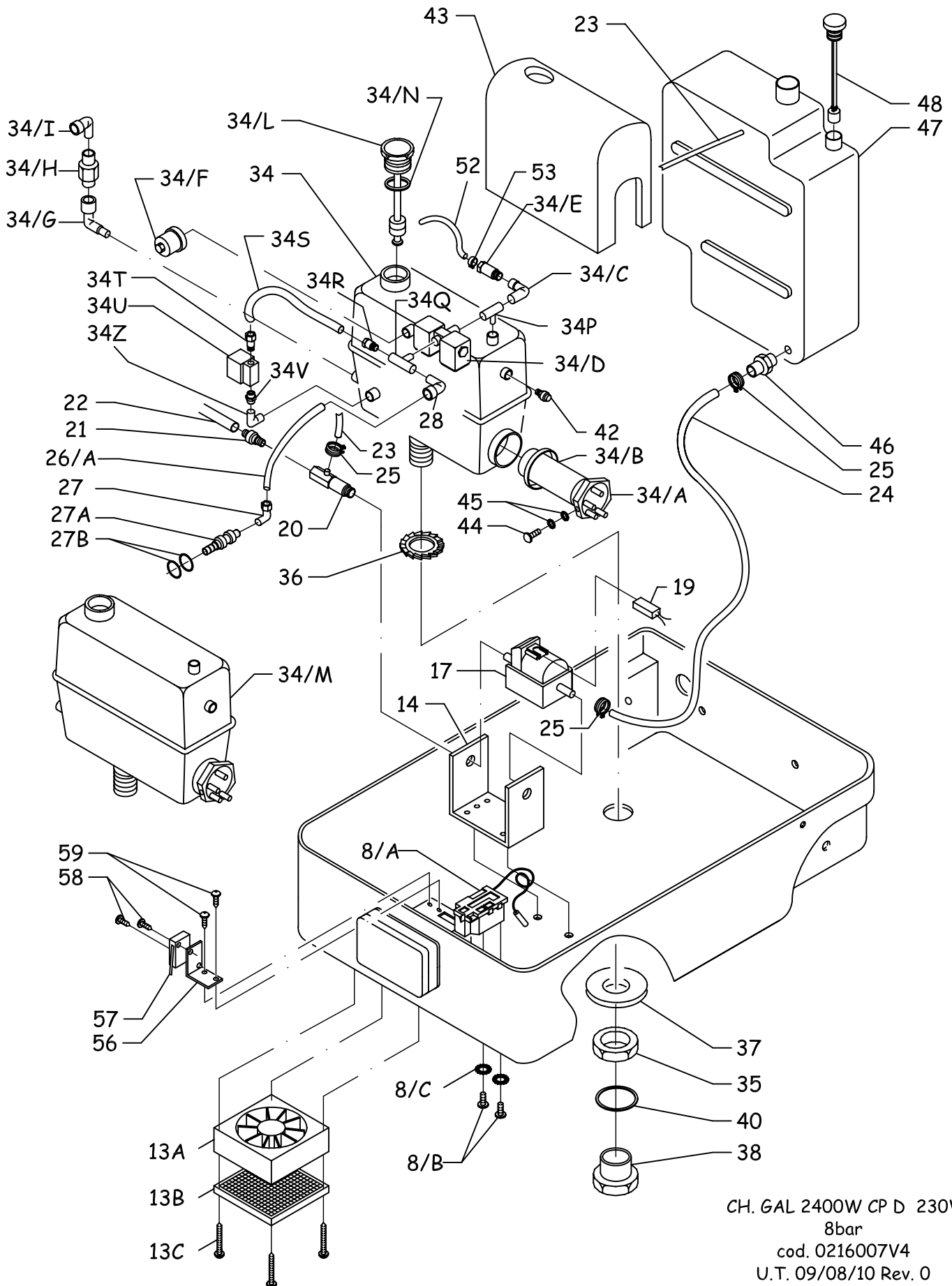


TECNOVAP



CH. GAL 2400W CP D 230V
8bar
cod. 0216007V4
U.T.09/08/10 Rev. 0

TECNOVAP



CH. GAL 2400W CP D 230V
 8bar
 cod. 0216007V4
 U.T. 09/08/10 Rev. 0

| Pos. | Codice | Q.tà | Denominazione | Denomination |
|---|-----------|----------|--|------------------------------|
| CH. GAL 2400W 230V CP D 8bar cod. 0216007V4 rev.0 09/08/10 | | | | |
| 1 | CA1161F | 1 | SOTTOBASE GAL GA2 NERA FORATA | CHASSIS GAL |
| 1/A | RA30290 | 1 | TUBO SILICONE TRASPARENTE 6x9 L.290mm | HOSE |
| 1/B | PG5209 | 2 | FASCETTA STRIK MONOREC. 9.5-11 | CLAMP |
| 2 | PG5401 | 2 | RUOTA Ø35 8MAX10 ZAMA | WHEEL ø35 |
| 2/A | VI73069 | 2 | RONDELLA DENTELLATA INTERNA ZN M8 | WASHER |
| 3 | PG5034 | 1 | STAFFA PORTASCHEDE | MOUNT BASE |
| 4 | VI7329 | 2 | RONDELLA PIANA ZN M8 | WASHER |
| 5 | VI7342 | 2 | DADO M8 UNI 5589 ZN | NUT |
| 5A | PG5034 | 1 | STAFFA PORTASCHEDE | MOUNT BASE |
| 5B | PE20526 | 1 | TRASFORMATORE 6VA 230V/12 C.C. | TRANSFORMER 6VA 230V/12 C.C. |
| 5C | VI7103 | 2 | VITE KF NICH. 3,5X6,5-6X1/4 | SCREW 3.5X6.5 6X1/4 |
| 6 | PG5407 | 2 | RUOTA Ø100 8MAX10 NERA | WHEEL ø100 |
| 7 | VI7306 | 2 | RONDELLA DENTELLATA ZN Ø8 | WASHER |
| 8 | VI7202 | 2 | DADO ZINCATO M8 | NUT |
| 8/A | PE2340 | 1 | TERMOSTATO 240°C A BULBO | THERMOSTAT |
| 8/B | VI7121 | 2 | VITE M4X6 TC | SCREW |
| 8/C | VI7318 | 2 | RONDELLA DENTELLATA Ø4 | TOOTHED WASHER |
| 9 | PE2107 | 1 | CAVO SEZ. 3X1,5 M5 S/SCHUKO C/PA84 | SUPPLY WIRING |
| 10 | VI7101 | 2 | VITE KF NICH. 3.5X9.5 7X3/8 TORX | SCREW |
| 10/A | VI7319 | 2 | RONDELLA DENTELLATA ZN Ø3 | TOOTHED WASHER |
| 11 | 010108 | 2 | MEZZA MANIGLIA NERA | HANDLE |
| 12 | VI7118 | 2 | VITE 8.8 TE ZN 6X16 | SCREW |
| 13 | VI7201 | 2 | DADO ZINCATO M6 | NUT |
| 13A | PE40006 | 1 | VENTOLA RAFFREDDAMENTO | COOLING FAN |
| 13B | PE40016 | 1 | GRIGLIA PROTEZIONE VENTOLA | PROTECTION GRILL FOR FAN |
| 13C | VI74016 | 2 | VITE TSEI 4X30 ZN NERA | SCREW M4X30 |
| 14 | RA3056 | 1 | STAFFA SUPP. POMPA COMPL. | MOUNT BASE |
| 17 | PE2404 | 1 | POMPA ET500- 1 1/8" F NBR 230/50 | PUMP |
| 19 | PE2408 | 1 | TERMOPROTEETTORE 100°C | THERMAL CUT OUT 100° C |
| 20 | PE2415 | 1 | DEAREATORE PER POMPA | BLEEDER VALVE FOR PUMP |
| 21 | RA3183 | 1 | RACCORDO DIRITTO 6X8 1/8" M | STRAIGHT VALVE |
| 22 | RA30135 | 1 | TUBO TEFLON Ø6X8 L.135mm | HOSE |
| 23 | RA30290 | 1 | TUBO SILICONE TRASP. Ø6X9 L.290mm | HOSE |
| 24 | RA30205 | 1 | TUBO SILICONE TRASP. Ø6X9 L.205mm | HOSE |
| 25 | PG5247 | 3 | FASCETTA BIFILARE 9.8-10.4 | CLAMP 9.8-10.4 |
| 26 | PE20337V1 | 1 | CABLAGGIO CH.GAL C/MANOM. CONTAORE | COMP. WIRING |
| 26/A | RA3201 | mt. 0.15 | TUBO TEFLON Ø6X8 | HOSE Ø6X8 |
| 27 | RA3167 | 1 | RACCORDO GOMITO 6X8-1/8" F | ELBOW VALVE 6X8 1/8F |
| 27A | 12004T | 1 | UGELLO ROTONDO MASCHIO 1/8" | MALE NOZZLE |
| 27B | PG5142 | 2 | OR 9.25X1.78 VITON NERO | O-RING |
| 28 | RA3105 | 1 | RACCORDO GOMITO 6X8 - 1/8" M | ELBOW VALVE 6X8 1/8M |
| 29 | PP0008 | 1 | SPORTELLLO COPRIPRESA COMPLETO | SOCKET PROTECTION COVER |
| 30 | 120101 | 1 | CORPO PRESA SUPERIORE | TOP SOCKET COVER |
| 31 | 120102 | 1 | CORPO PRESA INFERIORE | BOTTOM SOCKET COVER |
| 32 | VI7105 | 2 | VITE RAPID FIX ZN TC 3.9X16 | SCREW |
| 33 | VI7341 | 4 | VITE AUT. ZN NERA TC 3.9X19 | SCREW |
| 34 | 0900317 | 1 | CALDAIA COMPL. GALL 1"1/4 L.1,5 | COMPLETE BOILER |
| 34/A | PE25237 | 1 | RESIST. 230V 1200+1200W 1"1/4 COMPLETA | HEATING ELEM. 2400W 230V |
| 34/B | PG5139 | 1 | GUARNIZIONE ALLUMINIO Ø42X50X1.5 | HEATING ELEM. GASKET |
| 34/C | RA3147 | 1 | RACCORDO A GOMITO 1/8"FX1/8" M | ELBOW VALVE |
| 34/D | PE2337 | 1 | ELETT.6650+ 2 BOBINE 230V 1x1.5 1x2.5 | SOLENOID VALVE |
| 34/E | RA34016 | 1 | VALVOLA DI SICUREZZA 1/8" 10,2 Bar | PRESSURE VALVE 10,2 Bar |
| 34/F | PE24166 | 1 | PRESSOSTATO 16A 250V tar 8bar 1/8M VDE | PRESSURE SWITCH 8 bar |
| 34/G | RA3147 | 1 | RACCORDO A GOMITO 1/8"FX1/8" M | ELBOW VALVE |
| 34/H | RA3408 | 1 | VALVOLA NON RITORNO MOLLA DURA | NON RETURN VALVE |
| 34/I | RA3167 | 1 | RACCORDO A GOMITO 6X8 1/8" F | ELBOW VALVE |
| 34/L | RA33217 | 1 | TAPPO OTTONE C/SONDA 104mm+12bar | BRASS CAP +PROBE |
| 34/M | 9900317 | 1 | CALDAIA C/RES. L.1,5 GAL 2400W 1"1/4 | BOILER W/HEATING ELEMENT |
| 34/N | PG51033 | 1 | GUARNIZIONE TEFLON Ø33X40X2 | GASKET |
| 34P | RA3103 | 1 | RACCORDO A T 1/8"MX1/8"MX1/8" F | 3-WAYS VALVE 1/8MMF |

| | | | | |
|------|-----------|----------|---------------------------------------|--------------------------|
| 34Q | RA3132 | 1 | RACCORDO A T 1/8F X1/8MX1/8F (REV.0) | 3-WAYS VALVE 1/8FMF |
| 34R | RA31056 | 1 | RACCORDO DIRITTO 1/8"M x 6x4 OGIVA | STRAIGHT VALVE 1/8"M 6X4 |
| 34S | RA3209 | mt. 0.11 | TUBO TEFLON Ø6X4 | HOSE Ø6X4 |
| 34T | RA31056 | 1 | RACCORDO DIRITTO 1/8"M x 6x4 OGIVA | STRAIGHT VALVE 1/8"M 6X4 |
| 34U | PE2329 | 1 | ELETT.6611+ BOBINA B6 230V | SOLENOID VALVE |
| 34V | RA3187 | 1 | RACCORDO DIRITTO 1/8M X 1/8M F/CONICO | STRAIGHT VALVE |
| 34Z | RA3147 | 1 | RACCORDO A GOMITO 1/8'FX1/8'M | ELBOW VALVE |
| 35 | VI7203 | 1 | DADO Ø24 L.6 ½' OTTONE | NUT |
| 36 | VI7335 | 1 | RONDELLA DENTELLATA INOX Ø20 | TOOTHED WASHER |
| 37 | VI7336 | 1 | RONDELLA PIANA INOX Ø20 | WASHER |
| 38 | RA3163 | 1 | TAPPO DRENAGGIO 3/8"M | DRAIN CAP |
| 40 | PG51164 | 1 | OR 2056 14.00x1.78 NBR NERO | O-RING |
| 42 | PE2334 | 1 | TERMOSTATO 175° RIPRISTINO | RESET THERMOSTAT |
| 43 | IS4006 | 1 | PROTEZIONE CALDAIA GAL | BOILER INSULATION |
| 44 | VI7130 | 1 | VITE AUT. NICH. TC 3.5X9.5 | SCREW |
| 45 | VI7318 | 2 | RONDELLA DENTELLATA Ø4 | TOOTHED WASHER |
| 46 | RA3140 | 1 | PORTAGOMMA CON FILTRO IN OTTONE | ELBOW TUBE COUPLER |
| 47 | CA1224 | 1 | SERBATOIO ACQUA FREDDA GAL | WATER TANK GAL |
| 48 | PE2245 | 1 | INTERRUTTORE REED GALLEGGIANTE | REED SWITCH FLOAT |
| 54 | PE2346 | 1 | SCHEDA COM. BT 230V TVAP 10/4 J/ STAR | ELECTRONIC BOARD |
| 55 | VI7152 | 1 | VITE AUT. CROMATA NERA 3.5X9.5 | SCREW |
| 56 | PG5062 | 1 | STAFFA PORTA MICROINTERRUTTORE | MOUNT BASE |
| 57 | PE2209 | 1 | MICROINTERRUTTORE 16A 250V 125°C | MICROSWITCH |
| 58 | VI7122 | 2 | VITE AUT. ZN. B. TS. 2.9X16 | SCREW |
| 59 | VI7114 | 2 | VITE AUT. BR. TGS. 2.9X11 | SCREW |
| 60 | CA116A7 | 1 | BASE PST GAL GA1 BLU AUTOEST. FORATA | PLASTIC BODY COVER |
| 61 | PE227R | 1 | INTERRUTTORE 16A NERO C/LED RETE | SWITCH 16A |
| 62 | PE227C | 1 | INTERRUTTORE 16A NERO C/LED CALD | SWITCH 16A |
| 63 | PG5021 | 2 | CAPPUCCIO QUADRATO GRANDE | RUBBER SWITCH COVER |
| 64 | PE24016 | 1 | TERMOMETRO IPOH COMPL. | HOUR METER |
| 64/A | PG5123 | 1 | OR 29,82X2,62 SILICONE ROSSO | O-RING |
| 64/B | PG5115 | 1 | OR 34.65X1.78 NBR NERO | O-RING |
| 64/C | PG51237 | 1 | OR 3193 Ø48,89X2,62 NBR NERO | O-RING |
| 65 | 1200117V1 | 1 | CORNICE TERMOMETRO DIGITALE NERA | THERMOMETER FRAME |
| 66 | VI7105 | 5 | VITE RAPID FIX ZN.TC.3,9X16 NERA | SCREW 3,9X16 |
| 69 | PE221S7 | 1 | SPIA LUMINOSA ROSSA F/D SERIG. | RED INDICATOR LIGHT |
| 70 | PE222S7 | 1 | SPIA LUMINOSA VERDE F/D SERIG. | GREEN INDICATOR LIGHT |
| 70A | PG5106 | 2 | OR 9,25X1,78 NBR GRIGIO RAL7035 | O-RING |
| 71 | 010105 | 1 | MANIGLIA NERA GRANDE PIATTA | BLACK HANDLE |
| 72 | VI7167 | 2 | VITE F/R TE ZN 6.3X13 14X1/2 | SCREW |
| 72/A | VI7320 | 2 | RONDELLA GREMBIULINA ZN 6X24 | WASHER |
| 73 | PG5339 | 1 | PASSATUBO TAPPO Ø46X38X11 GAL | FAIRLEAD |
| 74 | VI7101 | 4 | VITE KF NICH. TORX 3.9X9.5 7X3/8 | SCREW |
| 75 | VI7325 | 4 | RONDELLA PIANA ZN Ø4 | WASHER |
| 76 | PG5314 | 1 | PARABORDO IN GOMMA L.110 | BUMPER |
| 77 | RA3313 | 1 | TAPPO SERBATOTIO ACQUA GAL | CAP |