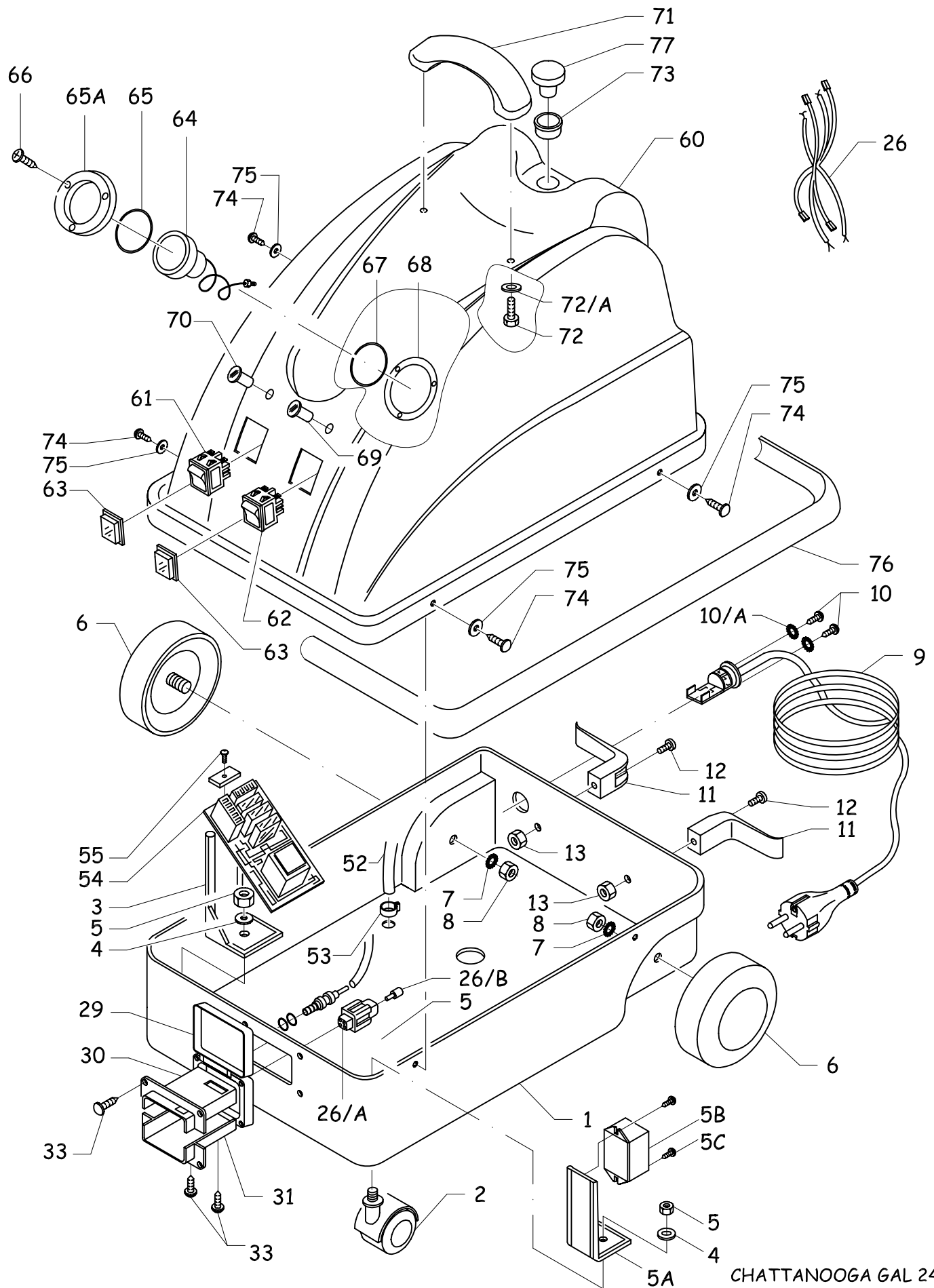
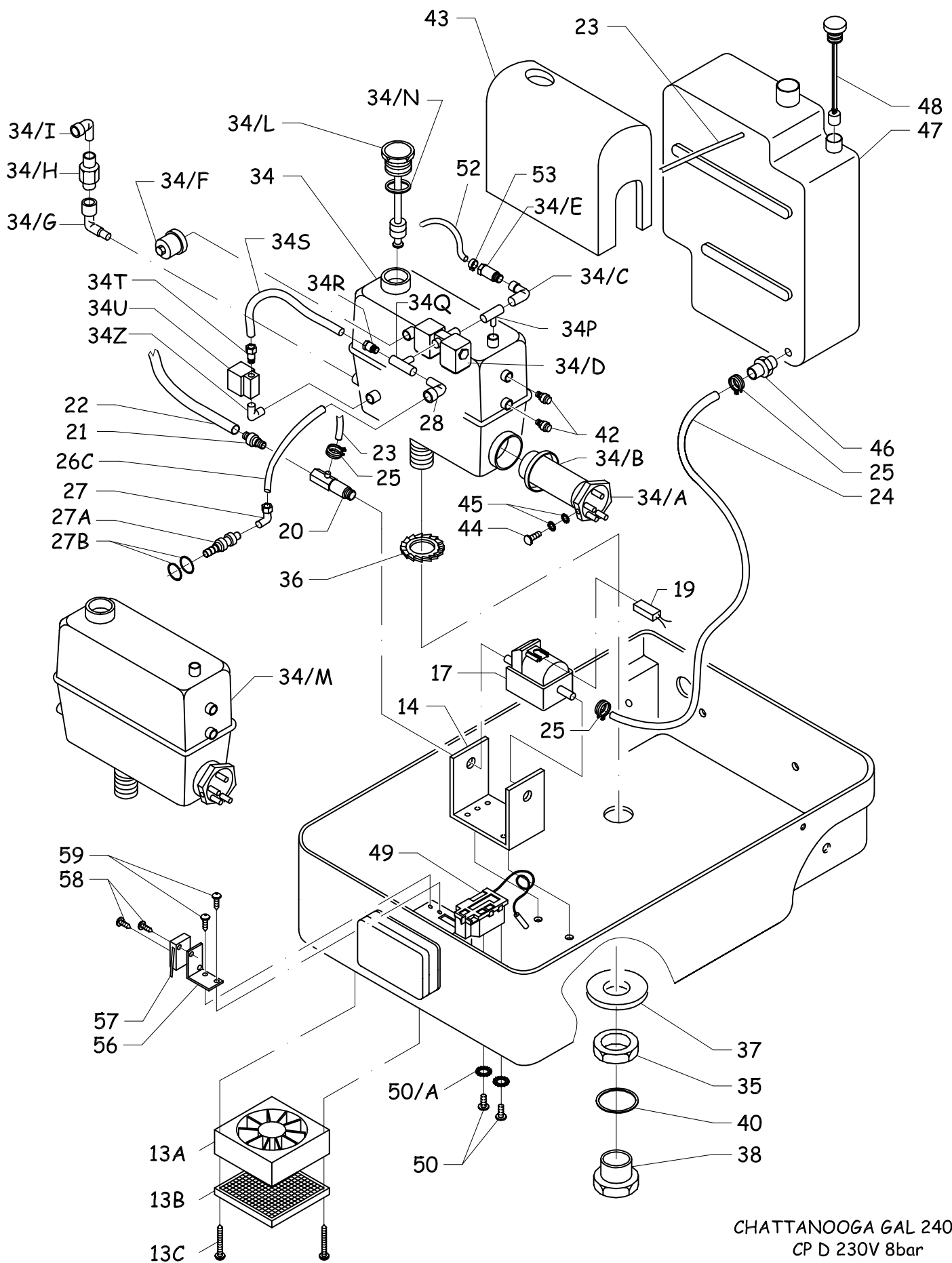


TECNOVAP



CHATTANOOGA GAL 2400W
CP D 230V 8bar
cod. 0216007
U.T. 11/05/07 Rev. 0

TECNOVAP



CHATTANOOGA GAL 2400W
CP D 230V 8bar
cod. 0216007
U.T. 11/05/07 Rev. 0

Pos.	Codice	Q.tà	Denominazione	Denomination
CH.GAL 2400W 230V CP D 8bar cod. 0216007 rev.0 10/05/07				
1	CA1161F	1	SOTTOBASE GAL GA2 NERA FORATA	CHASSIS GAL
2	PG5401	2	RUOTA Ø35 8MAX10 ZAMA	WHEEL ø35
3	PG5034	1	STAFFA PORTASCHEDA	MOUNT BASE
4	VI7305	2	RONDELLA GREMBIULINA ZN 8X24	WASHER
5	VI7342	2	DADO M8 UNI 5589 ZN	NUT
5A	PG5034	1	STAFFA PORTASCHEDA	MOUNT BASE
5B	PE20526	1	TRASFORMATORE 6VA 230V/12 C.C.	TRANSFORMER 6VA 230V/12 C.C.
5C	VI7103	2	VITE KF NICH. 3.5X6,5-6X1/4	SCREW 3.5X6.5 6X1/4
6	PG5407	2	RUOTA Ø100 8MAX10 NERA	WHEEL ø100
7	VI7306	2	RONDELLA DENTELLATA ZN Ø8	WASHER
8	VI7202	2	DADO ZINCATO M8	NUT
9	PE2107	1	CAVO SEZ. 3X1.5 mt5 S/SCHUKO	SUPPLY WIRING 3x1.5 5m
10	VI7101	2	VITE KF NICH. 3.5X9.5 7X3/8 TORX	SCREW
10/A	VI7319	2	RONDELLA DENTELLATA ZN Ø3	TOOTHED WASHER
11	010108	2	MEZZA MANIGLIA NERA	HANDLE
12	VI7118	2	VITE 8.8 TE ZN 6X16	SCREW
13	VI7201	2	DADO ZINCATO M6	NUT
13A	PE40006	1	VENTOLA RAFFREDDAMENTO	COOLING FAN
13B	PE40016	1	GRIGLIA PROTEZIONE VENTOLA	PROTECTION GRILL FOR FAN
13C	VI71732	2	VITE TSP BRUGOLA M4x25	SCREW M4X25
14	RA3056	1	STAFFA SUPP. POMPA COMPL.	MOUNT BASE
17	PE2404	1	POMPA ET500- 1 1/8' F NBR 230/50	PUMP
19	PE2408	1	TERMOPROTETTORE 100°C	THERMAL CUT OUT 100° C
20	PE2415	1	DEAREATORE PER POMPA	BLEEDER VALVE FOR PUMP
21	RA3183	1	RACCORDO DIRITTO 6X8 1/8'M	STRAIGHT VALVE
22	RA30135	1	TUBO TEFLON Ø6X8 L.135mm	HOSE
23	RA30290	1	TUBO SILICONE TRASP. Ø6X9 L.290mm	HOSE
24	RA30205	1	TUBO SILICONE TRASP. Ø6X9 L.205mm	HOSE
25	PG5247	3	FASCETTA BIFILARE 9.8-10.4	CLAMP 9.8-10.4
26	PE20337	1	CABLAGGIO CH.GAL C/MANOM. CONTAORE	COMP. WIRING
26/A	PE2177	1	FRUTTO PRESA 7P+T	PLUG BODY
26/B	PE2012	6	CONTATTO FEMMINA 10A	CONTACT PIN
26C	RA3201	mt. 0.14	TUBO TEFLON Ø6X8	HOSE Ø6X8
27	RA3167	1	RACCORDO GOMITO 6X8-1/8"F	ELBOW VALVE 6X8 1/8F
27A	12004T	1	UGELLO ROTONDO MASCHIO 1/8"	MALE NOZZLE
27B	PG5106	2	OR 9.25X1.78 NBR NERO	O-RING
28	RA3105	1	RACCORDO GOMITO 6X8 - 1/8"M	ELBOW VALVE 6X8 1/8M
29	PP0008	1	SPORTELLO COPRIPRESA COMPLETO	SOCKET PROTECTION COVER
30	120101	1	CORPO PRESA SUPERIORE	TOP SOCKET COVER
31	120102	1	CORPO PRESA INFERIORE	BOTTOM SOCKET COVER
32	VI7105	2	VITE RAPID FIX ZN TC 3.9X16	SCREW
33	VI7341	4	VITE AUT. ZN NERA TC 3.9X19	SCREW
34	0900317	1	CALDAIA COMPL. GALL 1"1/4 L.1,5	COMPLETE BOILER
34/A	PE25237	1	RESISTENZA 2400W 230V 1"1/4	HEATING ELEM. 2400W 230V
34/B	PG5139	1	GUARNIZIONE ALLUMINIO Ø42X50X1.5	HEATING ELEM. GASKET
34/C	RA3147	1	RACCORDO A GOMITO 1/8'FX1/8'M	ELBOW VALVE
34/D	PE2337	1	ELETT.6650+ 2 BOBINE 230V 1x1.5 1x2.5	SOLENOID VALVE
34/E	RA34016	1	VALVOLA DI SICUREZZA 1/8' 10,2 Bar	PRESSURE VALVE 10,2 Bar
34/F	PE24166	1	PRESSOSTATO 16A 250V tar 8bar 1/8M VDE	PRESSURE SWITCH 8 bar
34/G	RA3147	1	RACCORDO A GOMITO 1/8'FX1/8'M	ELBOW VALVE
34/H	RA3408	1	VALVOLA NON RITORNO MOLLA DURA	NON RETURN VALVE
34/I	RA3167	1	RACCORDO A GOMITO 6X8 1/8'F	ELBOW VALVE
34/L	RA3321	1	TAPPO OTTONE C/SONDA 104mm	BRASS CAP +PROBE
34/M	9900317	1	CALDAIA C/RES. L.1,5 GAL 2400W 1"1/4	BOILER W/HEATING ELEMENT
34/N	PG51033	1	GUARNIZIONE TEFLON Ø33X40X2	GASKET
34P	RA3103	1	RACCORDO A T 1/8"MX1/8"MX1/8"F	3-WAYS VALVE 1/8MMF
34Q	RA3132	1	RACCORDO A T 1/8F X1/8MX1/8F (REV.0)	3-WAYS VALVE 1/8FMF
34R	RA31056	1	RACCORDO DIRITTO 1/8"M x 6x4 OGIVA	STRAIGHT VALVE 1/8"M 6X4
34S	RA3209	mt. 0.1	TUBO TEFLON Ø6X4	HOSE Ø6X4
34T	RA31056	1	RACCORDO DIRITTO 1/8"M x 6x4 OGIVA	STRAIGHT VALVE 1/8"M 6X4

34U	PE2329	1	ELETT.6611+ BOBINA B6 230V	SOLENOID VALVE
34Z	RA3147	1	RACCORDO A GOMITO 1/8'FX1/8'M	ELBOW VALVE
35	VI7203	1	DADO Ø24 L.6 ½' OTTONE	NUT
36	VI7335	1	RONDELLA DENTELLATA INOX Ø20	TOOTHED WASHER
37	VI7336	1	RONDELLA PIANA INOX Ø20	WASHER
38	RA3163	1	TAPPO DRENAGGIO 3/8'M	DRAIN CAP
40	PG51164	1	OR 2056 14.00x1.78 NBR NERO	O-RING
42	PE2303	2	TERMOSTATO 160° RIPRISTINO	RESET THERMOSTAT
43	IS4006	1	PROTEZIONE CALDAIA GAL	BOILER INSULATION
44	VI7130	1	VITE AUT. NICH. TC 3.5X9.5	SCREW
45	VI7318	2	RONDELLA DENTELLATA Ø4	TOOTHED WASHER
46	RA3140	1	PORTAGOMMA CON FILTRO IN OTTONE	ELBOW TUBE COUPLER
47	CA1224	1	SERBATOIO ACQUA FREDDA GAL	WATER TANK GAL
48	PE2245	1	INTERRUTTORE REED GALLEGGIANTE	REED SWITCH FLOAT
49	PE2340	1	TERMOSTATO 240°C A BULBO	THERMOSTAT
50	VI7121	2	VITE M4X6 TC	SCREW
50/A	VI7318	2	RONDELLA DENTELLATA Ø4	TOOTHED WASHER
52	RA30290	1	TUBO SILICONE TRASPARENTE 6x9 L.290mm	HOSE
53	PG5209	2	FASCETTA STRIK MONOREC. 9.5-11	CLAMP
54	PE2345	1	SCHEDA COMANDO BT230V TVAP10/3	ELECTRONIC BOARD
55	VI7152	1	VITE AUT. CROMATA NERA 3.5X9.5	SCREW
56	PG5062	1	STAFFA PORTA MICROINTERRUTTORE	MOUNT BASE
57	PE2209	1	MICROINTERRUTTORE 16A 250V 125°C	MICROSWITCH
58	VI7122	2	VITE AUT. ZN. B. TS. 2.9X16	SCREW
59	VI7114	2	VITE AUT. BR. TGS. 2.9X9.5	SCREW
60	CA116A7	1	BASE PST GAL GA1 BLU AUTOEST. FORATA	PLASTIC BODY COVER
61	PE227R	1	INTERRUTTORE 16A NERO C/LED RETE	SWITCH 16A
62	PE227C	1	INTERRUTTORE 16A NERO C/LED CALD	SWITCH 16A
63	PG5021	2	CAPPUCCIO QUADRATO GRANDE	RUBBER SWITCH COVER
64	PE24016	1	TERMOMETRO IPOH COMPLETO	THERMOMETER
65	PG5115	1	OR 34.65X1.78 NBR NERO	O-RING 34,65X1,78
65A	1200117	1	CORNICE TERMOMETRO DIGITALE NERA	THERMOMETER FRAME
66	VI7114	3	VITE AUT. BR. TGS 2.9X9.5	SCREW 2.9X9.5
67	PG5123	1	OR 29,82X2,62 SILICONE ROSSO	O-RING
68	RA30807	1	STAFFA SUPPORTO TERMOMETRO DIGITALE	MOUNT BASE
69	PE22S9	1	SPIA LUMINOSA ROSSA F/D SERIG.	RED INDICATOR LIGHT
70	PE22S2	1	SPIA LUMINOSA VERDE F/D SERIG.	GREEN INDICATOR LIGHT
71	010105	1	MANIGLIA NERA GRANDE PIATTA	BLACK HANDLE
72	VI7167	2	VITE F/R TE ZN 6.3X13 14X1/2	SCREW
72/A	VI7320	2	RONDELLA GREMBIULINA ZN 6X24	WASHER
73	PG5339	1	PASSATUBO TAPPO Ø46X38X11 GAL	FAIRLEAD
74	VI7101	4	VITE KF NICH. TORX 3.9X9.5 7X3/8	SCREW
75	VI7325	4	RONDELLA PIANA ZN Ø4	WASHER
76	PG5314	1	PARABORDO IN GOMMA L.110	BUMPER
77	RA3313	1	TAPPO SERBATOTIO ACQUA GAL	CAP